

Conduit Waterfall

specifications

All 4" EMT terminations with high performance communication cable entering/exiting the conduit shall be fitted with a device to control the bend radius of the communication cable to a minimum of a 4" radius. The device to control the bend radius must comply with all National Electrical Code requirements and TIA/EIA Standards. In addition, the product must be RoHS compliant to meet environmental requirements, be UL 94V-0 approved to reduce the spread of flame, and be approved by UL for use in air handling spaces. The device to provide bend radius control must support a static load of 40 lbs. (177.9 N) and have a fastening device that allows for incremental adjustments to conform to variances in conduit diameters.



technical information

Material:	Glass Reinforced Flame Retardant Nylon 6.6
UL recognized:	File number E136577
Temperature range:	-40°F – 140°F (-40°C – 60°C)
RoHS compliance	Material is RoHS compliant per European Directive 2002/95/EC on the Restriction of Hazardous Substances (RoHS)
Flammability:	Material passes UL94 standard, V-0 for flammability
Static load rating:	40 lbs. (177.9 N)
Conduit compatibility:	4" EMT only
Bend radius compliance:	4" minimum bend radius allowed
Packaging:	1 piece per package

key features and benefits

Complete bend radius control	Helps prevent degradation of cable performance; prevents pinch points that could cause damage to cable
UL 94V-0 approved material	Meets flame retardant specifications
UL 2043 approved	Suitable for use in air handling spaces in accordance with Section 300.22 (c) and (d) of the National Electrical Code
UL 1565 approved	Passes UL requirements for Positioning Devices
UL 514B approved	Passes UL requirements for Conduit, Tubing, and Fittings
Hinged design	Allows product to be completely opened for retro-fit applications
Captive nut and thumb screw	Permits an easy and fast installation to reduce labor cost Allows for incremental adjustments to conform to variances in conduit diameters
Cable tie slots	Allow user to install 3/4" Tak-Ty [®] Hook & Loop Cable Ties and provides a method to retain and manage the cable bundle without over tensioning
Internal rib	Provides a positive stop for positioning the device securely to 4" EMT conduit; protects network cable to maintain data integrity on the network
Holes in product collar	Provides a method to secure firestopping pillows within conduit

applications

The Panduit conduit waterfall is designed for 4" EMT conduit to cost-effectively manage sensitive network cables in compliance with the TIA/EIA standards. The conduit waterfall is suitable for use in air handling spaces and areas requiring UL approvals. The product allows for installation in retro-fit

applications where communication cables are already installed. The conduit waterfall offers innovative features that speed installation and is part of the complete range of cable management accessories available from Panduit.

Conduit Accessories

Conduit waterfall: CWF400

Ladder Rack Accessories

Waterfall kit: CMW-KIT
Double waterfall: CMW2B
1.25" cable rack spacer: CRS4-125-X
0.8" cable rack spacer: CRS6-X

Horizontal J-Hook Pathways

3/4" hook for wall mount: JP75W-L20
3/4" hook with drop wire clip: JP75DW-L20
3/4" hook for ceiling mount: JP75CM-L20
3/4" hook with screw-on beam clamp: JP75SBC50R-L20
1 5/16" hook for wall mount: JP131W-L20
1 5/16" hook with drop wire clip: JP131DW-L20
1 5/16" hook for ceiling mount: JP131CM-L20
1 5/16" hook with screw on beam clamp: JP131SBC50R-L20
2" hook for wall mount: JP2W-L20
2" hook with drop wire clip: JP2DW-L20
2" hook for ceiling mount: JP2CM-L20
2" hook with screw-on beam clamp: JP2SBC50R-L20

Cable Management Accessories

D-ring with 5.70"L x 2.00"W outside dimensions: CMVDR1
D-ring with 3.30"L x 2.00"W outside dimensions: CMVDR1S
D-ring with 5.70"L x 3.00"W outside dimensions: CMVDR2
D-ring with 3.30"L x 3.00"W outside dimensions: CMVDR2S
Adhesive backed mount for 3/4" Tak-Ty[®] Hook & Loop Cable Ties: ABMT-A-C

Conduit Waterfall

ordering information

Part Number	Part Description	Std. Pkg. Qty.	Std. Ctn. Qty.
CWF400	Provides bend radius control for cables entering/exiting 4" EMT conduit. Secure to conduit without tools utilizing integral thumb screw and captive nut.	1	10

installation instructions



Hinged design allows product to be completely opened for retrofit applications

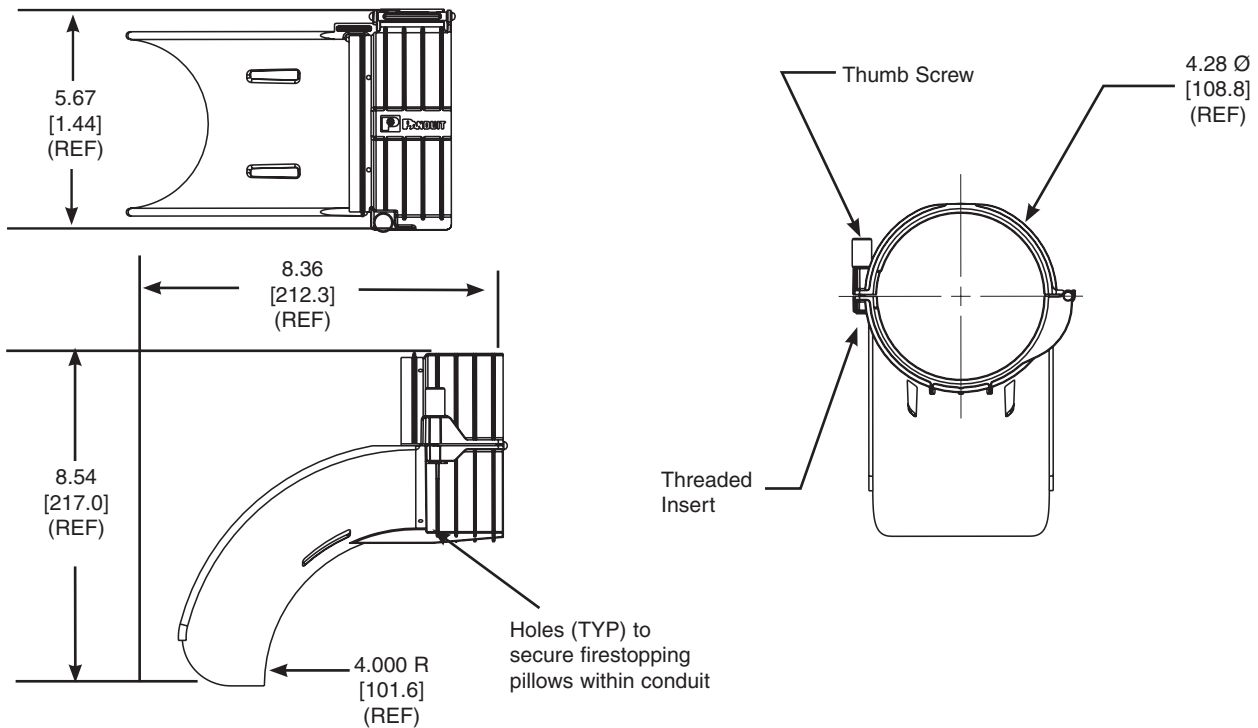


Internal rib provides a positive stop for positioning and protects network cable



Captive nut and thumb screw permits an easy and fast installation

dimensions



Dimensions are in inches. [Dimensions in brackets are metric.]

WORLDWIDE SUBSIDIARIES AND SALES OFFICES

PANDUIT CANADA
Markham, Ontario
cs-cdn@panduit.com
Phone: 800.777.3300

PANDUIT EUROPE LTD.
London, UK
cs-emea@panduit.com
Phone: 44.20.8601.7200

PANDUIT SINGAPORE PTE. LTD.
Republic of Singapore
cs-ap@panduit.com
Phone: 65.6305.7575

PANDUIT JAPAN
Tokyo, Japan
cs-japan@panduit.com
Phone: 81.3.6863.6000

PANDUIT LATIN AMERICA
Guadalajara, Mexico
cs-la@panduit.com
Phone: 52.33.3777.6000

PANDUIT AUSTRALIA PTY. LTD.
Victoria, Australia
cs-aus@panduit.com
Phone: 61.3.9794.9020

For a copy of Panduit product warranties, log on to www.panduit.com/warranty

For more information

Visit us at www.panduit.com

Contact Customer Service by email: cs@panduit.com
or by phone: 800.777.3300

©2014 Panduit Corp.
ALL RIGHTS RESERVED.
WASP43--WW-ENG
Replaces WW-WASP02
9/2014

PANDUIT®