



Power contactor
BF150

Product designation

Product type designation

Contact characteristics

Number of poles	Nr.	4
Rated insulation voltage U _i IEC/EN	V	1000
Rated impulse withstand voltage U _{imp}	kV	8
Operational frequency	min	Hz 25
	max	Hz 400
IEC Conventional free air thermal current I _{th}	A	165
Operational current I _e	AC-1 (≤40°C)	A 165
	AC-1 (≤55°C)	A 135
	AC-1 (≤70°C)	A 118
	AC-3 (≤440V ≤55°C)	A 150
	AC-4 (400V)	A 70
Rated operational current AC-3 (T≤55°C)	230V	A 150
	400V	A 150
	415V	A 150
	440V	A 150
	500V	A 128
	690V	A 113
	1000V	A 51
IEC max current I _e in DC1 with L/R ≤ 1ms with 1 poles in series	≤24V	A 165
	48V	A 165
	75V	A 150
	110V	A 10
	220V	A –
IEC max current I _e in DC1 with L/R ≤ 1ms with 2 poles in series	≤24V	A 165
	48V	A 165
	75V	A 165
	110V	A 150
	220V	A 14
IEC max current I _e in DC1 with L/R ≤ 1ms with 3 poles in series	≤24V	A 165
	48V	A 165
	75V	A 165
	110V	A 160
	220V	A 150
IEC max current I _e in DC1 with L/R ≤ 1ms with 4 poles in series	≤24V	A 165
	48V	A 165

	75V	A	165
	110V	A	165
	220V	A	165
<hr/>			
IEC max current Ie in DC3-DC5 with L/R ≤ 15ms with 1 poles in series	≤24V	A	165
	48V	A	60
	75V	A	44
	110V	A	6
	220V	A	–
<hr/>			
IEC max current Ie in DC3-DC5 with L/R ≤ 15ms with 2 poles in series	≤24V	A	165
	48V	A	82
	75V	A	70
	110V	A	80
	220V	A	7
<hr/>			
IEC max current Ie in DC3-DC5 with L/R ≤ 15ms with 3 poles in series	≤24V	A	165
	48V	A	195
	75V	A	110
	110V	A	120
	220V	A	120
<hr/>			
IEC max current Ie in DC3-DC5 with L/R ≤ 15ms with 4 poles in series	≤24V	A	165
	48V	A	130
	75V	A	130
	110V	A	150
	220V	A	150
<hr/>			
Short-time allowable current for 10s (IEC/EN60947-1)		A	1200
<hr/>			
Protection fuse	gG (IEC)	A	250
	aM (IEC)	A	160
<hr/>			
Making capacity (RMS value)		A	1500
<hr/>			
Breaking capacity at voltage	440V	A	1200
	500V	A	1025
	690V	A	905
<hr/>			
Resistance per pole (average value)		mΩ	0.45
<hr/>			
Power dissipation per pole (average value)	Ith	W	12
	AC-3	W	10.1
<hr/>			
Tightening torque for terminals	min	Nm	6
	max	Nm	7
	min	lbin	4.4
	max	lbin	5.2
<hr/>			
Tightening torque for coil terminal	min	Nm	0.8
	max	Nm	1
	min	lbin	0.59
	max	lbin	0.74
<hr/>			
Conductor section	AWG/Kcmil		
	max		2/0

Flexible w/o lug conductor section			
	min	mm ²	1.5
	max	mm ²	70
Flexible c/w lug conductor section			
	min	mm ²	1.5
	max	mm ²	70
Power terminal protection according to IEC/EN 60529			IP20 front
Mechanical features			
Operating position			
	normal allowable	Vertical plan ±30°	
Fixing			Screw / DIN rail 35mm
Weight			g 2420
Conductor section			
AWG/kcmil conductor section			
	max	2/0	
Operations			
Mechanical life			cycles 15000000
Electrical life			cycles 800000
Safety related data			
EMC compatibility			yes
AC coil operating			
Rated AC voltage at 60Hz			V 575
AC operating voltage			
of 50/60Hz coil powered at 50Hz drop-out			
	max	%Us	≤70 Us min
of 60Hz coil powered at 60Hz pick-up			
	min	%Us	80
	max	%Us	110
drop-out			
	min	%Us	20
	max	%Us	55
AC average coil consumption at 20°C			
of 60Hz coil powered at 60Hz			
	in-rush	VA	300
	holding	VA	20
Dissipation at holding ≤20°C 50Hz			W 6.5
Max cycles frequency			
Mechanical operation			cycles/h 1500
Operating times			
Average time for Us control in AC			
Closing NO			
	min	ms	45
	max	ms	32
Opening NO			
	min	ms	9
	max	ms	24
UL technical data			
General USE			
Contactor			

	AC current	A	165
Short-circuit protection fuse, 600V High fault	Short circuit current	kA	100
	Fuse rating	A	200
	Fuse class		J
Standard fault	Short circuit current	kA	10
	Fuse rating	A	250
	Fuse class		RK5

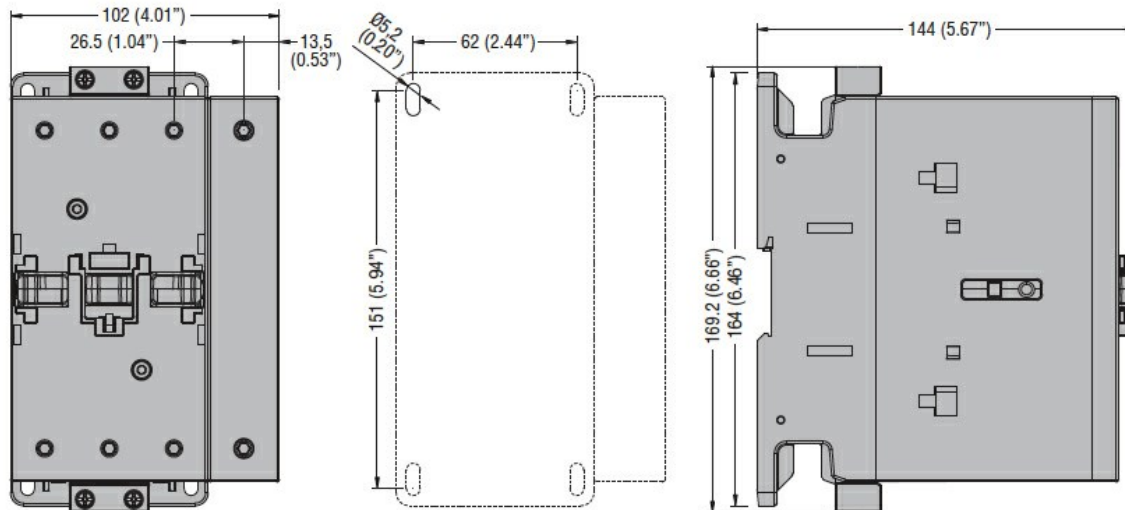
Ambient conditions

Temperature	Operating temperature		
	min	°C	-50
	max	°C	70

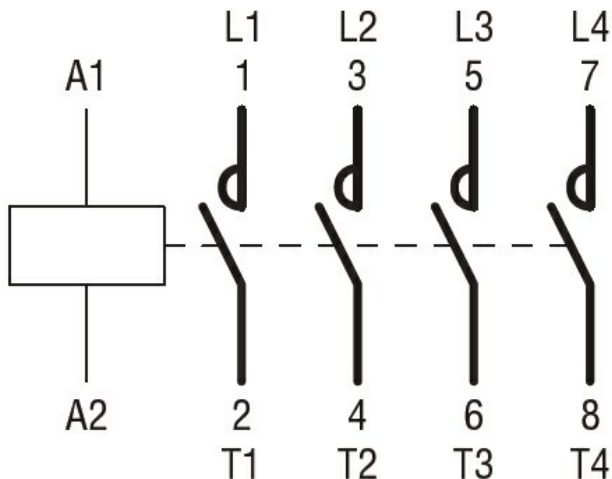
Storage temperature	min	°C	-60
	max	°C	80

Max altitude	m	3000
--------------	---	------

Dimensions



Wiring diagrams



Certifications and compliance

Compliance

CSA C22.2 n° 60947-1

CSA C22.2 n° 60947-4-1

IEC/EN/BS 60947-1

IEC/EN/BS 60947-4-1

UL 60947-1

UL 60947-4-1

Certificates

CCC

cULus

EAC

ETIM classification

ETIM 8.0

EC000066 -
Power contactor,
AC switching