

1SET111013R0000 ✓ ACTIVE

ENTRELEC

TE Internal #: 1SET111013R0000

Crimp Wire Pins, Tabs & Ferrules, Ferrule, Pin Diameter 2.8 mm, 12

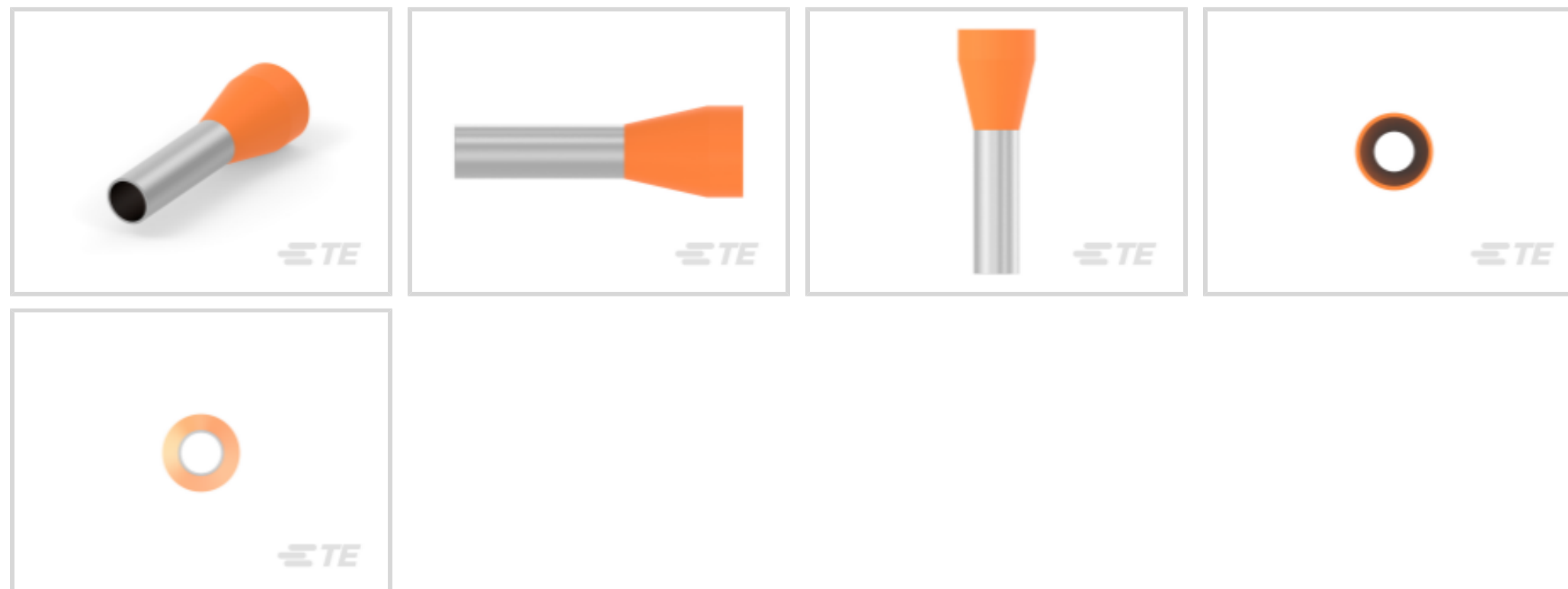
AWG Wire Size, 4 mm² Wire Size, .111 in [2.8 mm] Barrel Inside

Diameter, Closed

[View on TE.com >](#)



Terminals & Splices > Crimp Wire Pins, Tabs & Ferrules



Crimp Wire Pin, Tab & Ferrule Terminal Type: **Ferrule**

Pin Diameter: **2.8 mm**

Accepts Wire Insulation Diameter Range: **4.7 mm, 4.8 mm [.186 in, .189 in]**

Wire Size: **4 mm²**

Features

Product Type Features

| | |
|--|--------------------|
| Sealable | No |
| Compatible With Discrete Wire Type | Stranded |
| Wire Insulation Support Retention Type | Insulation Support |

Configuration Features

| | |
|-----------------------------------|---------------|
| Compatible With Wire & Cable Type | Discrete Wire |
|-----------------------------------|---------------|

Body Features

| | |
|---------------------|----|
| Double Wire | No |
| Insulation Material | PP |

Contact Features

| | |
|---|---------------|
| Terminal Length | 10 mm[.39 in] |
| Crimp Wire Pin, Tab & Ferrule Terminal Type | Ferrule |
| Barrel Type | Closed |
| Terminal Plating Material | Tin |
| Terminal Orientation | Straight |



Mechanical Attachment

| | |
|-------------------------|---------|
| Wire Insulation Support | Without |
|-------------------------|---------|

Dimensions

| | |
|--|----------------------------------|
| 2-Wire Size | 4 mm ² |
| Strip Length | 11 mm[.433 in] |
| Pin Diameter | 2.8 mm |
| Accepts Wire Insulation Diameter Range | 4.7 mm, 4.8 mm[.186 in][.189 in] |
| Wire Size | 4 mm ² |
| Barrel Inside Diameter | 2.8 mm[.111 in] |
| Terminal Material Thickness | .2 mm[.007 in] |
| Overall Product Length | 17 mm[.67 in] |

Usage Conditions

| | |
|-----------------------------|---------------------|
| Insulation Option | Partially Insulated |
| Operating Temperature Range | 105 °C[221 °F] |

Operation/Application

| | |
|------------|----|
| Heavy Duty | No |
|------------|----|

Packaging Features

| | |
|--------------------|-----|
| Packaging Quantity | 500 |
| Packaging Method | Bag |

Other

| | |
|--------------|--------|
| Barrel Color | Orange |
|--------------|--------|

Product Compliance

[For compliance documentation, visit the product page on TE.com>](#)

| | |
|---|--|
| EU RoHS Directive 2011/65/EU | Not Yet Reviewed |
| EU ELV Directive 2000/53/EC | Not Yet Reviewed |
| China RoHS 2 Directive MIIT Order No 32, 2016 | Not reviewed for China RoHS compliance |
| EU REACH Regulation (EC) No. 1907/2006 | Current ECHA Candidate List: JUNE 2022 (224) Not Yet Reviewed |
| Halogen Content | Not Yet Reviewed for halogen content |
| Solder Process Capability | Not reviewed for solder process capability |

Product Compliance Disclaimer

This information is provided based on reasonable inquiry of our suppliers and represents our current actual knowledge based on the information they provided. This information is subject to change. The part numbers that TE has identified as EU RoHS compliant have a maximum concentration of 0.1% by weight in homogenous materials for lead, hexavalent chromium, mercury, PBB, PBDE, DBP, BBP, DEHP, DIBP, and 0.01% for cadmium, or qualify for an exemption to these limits as defined in the Annexes of Directive 2011/65/EU (RoHS2). Finished electrical and electronic equipment products will be CE marked as required by Directive 2011/65/EU. Components may not be CE marked. Additionally, the part numbers that TE has identified as EU ELV compliant have a maximum concentration of 0.1% by weight in homogenous materials for lead, hexavalent chromium, and mercury, and 0.01% for cadmium, or qualify for an exemption to these limits as defined in the Annexes of Directive 2000/53/EC (ELV). Regarding the REACH Regulations, TE's information on SVHC in articles for this part number is still based on the European Chemical Agency (ECHA) 'Guidance on requirements for substances in articles' (Version: 2, April 2011), applying the 0.1% weight on weight concentration threshold at the finished product level. TE is aware of the European Court of Justice ruling of September 10th, 2015 also known as O5A (Once An Article Always An Article) stating that, in case of 'complex object', the threshold for a SVHC must be applied to both the product as a whole and simultaneously to each of the articles forming part of its composition. TE has evaluated this ruling based on the new ECHA "Guidance on requirements for substances in articles" (June 2017, version 4.0) and will be updating its statements accordingly.

Compatible Parts



TE Part # 539660-1
ADERENDHUELSEN (Ferrule) Crimp Tool



TE Part # 1SNK506010R0000
ZS6



TE Part # 1SNK506011R0000
ZS6-3S



TE Part # 1SNK506250R0000
ZS6-D1-PE



TE Part # 1SNK506315R0000
ZS6-S



TE Part # 1SNK506012R0000
ZS6-4S



TE Part # 1SNK506150R0000
ZS6-PE



TE Part # 1SNK506151R0000
ZS6-3S-PE



TE Part # 1SNK506152R0000
ZS6-4S-PE



TE Part # 1SNK506210R0000
ZS6-D2



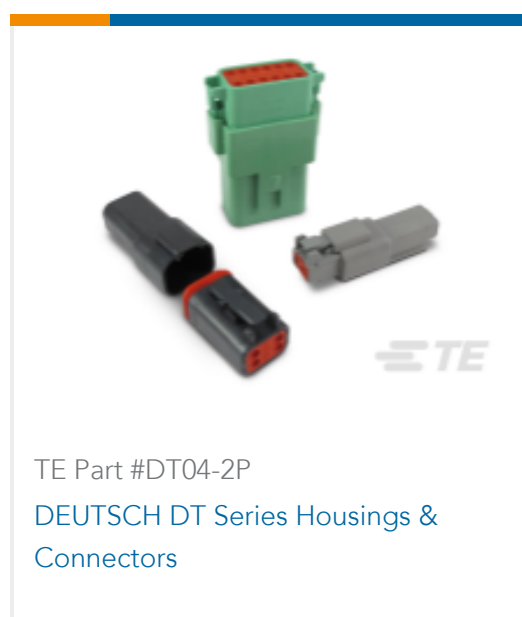
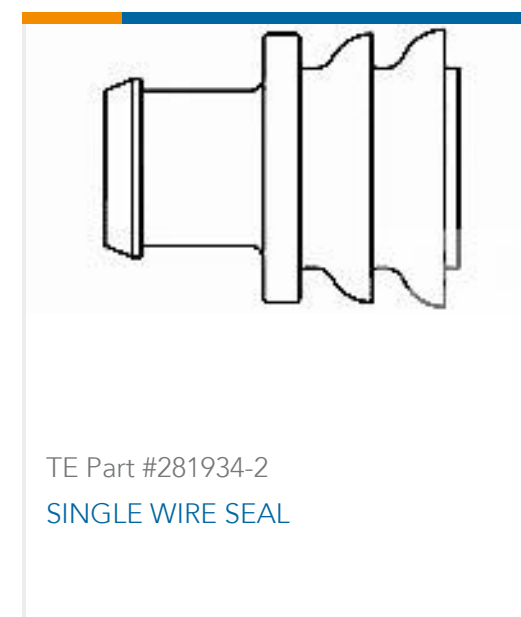
TE Part # 1SNK506316R0000
ZS6-S-4S-T2



TE Part # 6-1579014-5
HT FOR CABLE-END SLEEVES FRONT 0,08-16



Customers Also Bought



Documents

Product Drawings

WF040-10-OR

English

Datasheets & Catalog Pages

Infographic - entrelec ews-linecard

English

ENTRELEC - INSULATED WIRE END FERRULES

ENTRELEC - INSULATED WIRE END FERRULES

English

ENTRELEC - INSULATED WIRE END FERRULES

French

Essential Entrelec Terminal Blocks

French

Essential Entrelec Terminal Blocks

English

1SET111013R0000

Crimp Wire Pins, Tabs & Ferrules, Ferrule, Pin Diameter 2.8 mm, 12 AWG Wire Size, 4 mm² Wire Size, .111 in [2.8 mm] Barrel Inside Diameter, Closed



Agency Approvals

UL

English