



## Fiche produit

Article n° 91.232.2003.4

### assemblage de câbles GST15i3KSB- 15 W 20BR01

GST15i3 câble de rallonge femelle - extrémité libre, longueur 2.0 m, 3 pôles, codification switching function 250 V, 16 A, couleur de codage brun, couleur du soulagement de traction blanc, couleur du câble blanc, échantillon représentatif 1.5 mm<sup>2</sup>, type de câble H05VV-F, classe Feu: Eca



Article n°	91.232.2003.4
EAN	4049088323003
Unité de commande	30 Piece(s)

#### certificats/approbations



#### Données techniques

##### Remarque

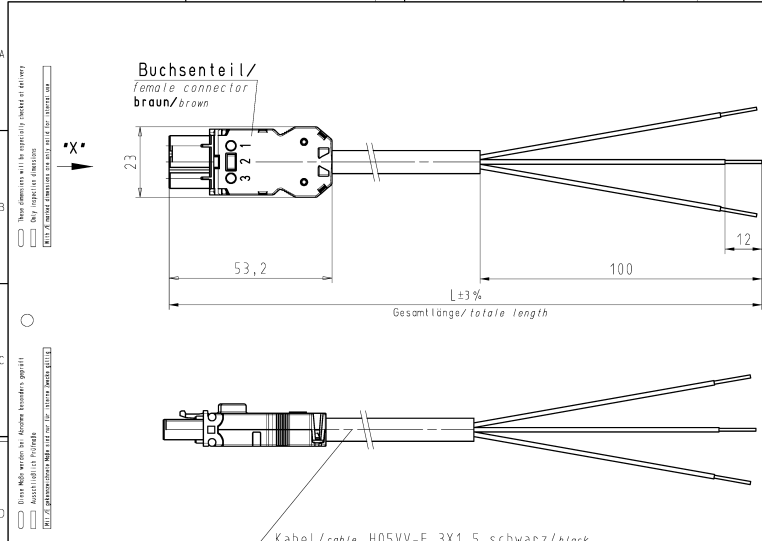
Remarque	core colors with pole assignment: black (1), grey (2), brown (3)
----------	------------------------------------------------------------------

**Dessin technique**

These dimensions will be reported in mm if necessary

These dimensions will be reported in mm if necessary

These dimensions will be reported in mm if necessary



**Buchsesteil / female connector braun/brown**

**Ansicht in Pfeilrichtung \*X\***  
view in arrow direction \*X\*

**M 2:1**

1=schwarz/black  
2=grau/grey  
3=braun/brown

**Weitere Daten siehe Katalog**  
further data see catalog

A

1

2

3

4

5

6

7

8

9

10

11

12

13

14

15

16

17

18

19

20

M1

M2

M3

L

G

1

1.1

2.1


1.1

Teile-Nr. part-no.	L	Beispiel example	Typ type
91.232.XX03.4	XX in dm-Schritten XX in dm-steps	91.232.1003.4 = 10dm/L= 1000mm	GST1513KSB- 15 10BR01
U1.232.XX03.4	XX in m-Schritten XX in m-steps	U1.232.1203.4 = 12 m/L=12000mm	GST1513KSB- 15 X12BR01

Tolerierung Size ISO 14406/Tolerance system Size ISO 14406  
 (This ISO-standard describes the envelope principle. According to the envelope principle the deviations of form and parallelism are limited by the size tolerances.)  
 Konformität mit Wieland document MN 5020.010 et (List of prohibited / derogations in various situations) to be declared

Freitoleranz nach DIN 15213 / Free tolerance according to DIN 15213  
 (AD - Zeichnung, keine manuellen Änderungen / Drawing, no manual modifications allowed)  
 First Use: -  
 Sheet: 1 von 1

Werkstoff/Material	2015	Tag/Date	Name	Zeichnung Nr./Drawing No.
Modul/Module	03.03.	Trescher		91.232.0203.4 01K
Maßstab/Scale	M			Made in mm/dimensions are in mm
Vol.	011/Sat.1			



**GST1513**

KSB-15 W

www.wieland-electric.com

**KONFEKTLEITUNG**

Buchse-fr. Ende, braun, Schraubanschluß, 250V, 1,5gmm  
pre assembled cable, female-free end, screw connect.

912320203401K\_2 CADW3028 Trescher 2015-03-03T15:13:54Z 1.000

91-MEE-01714-