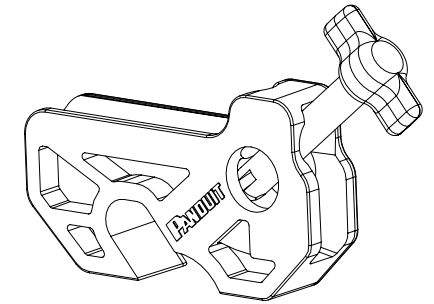
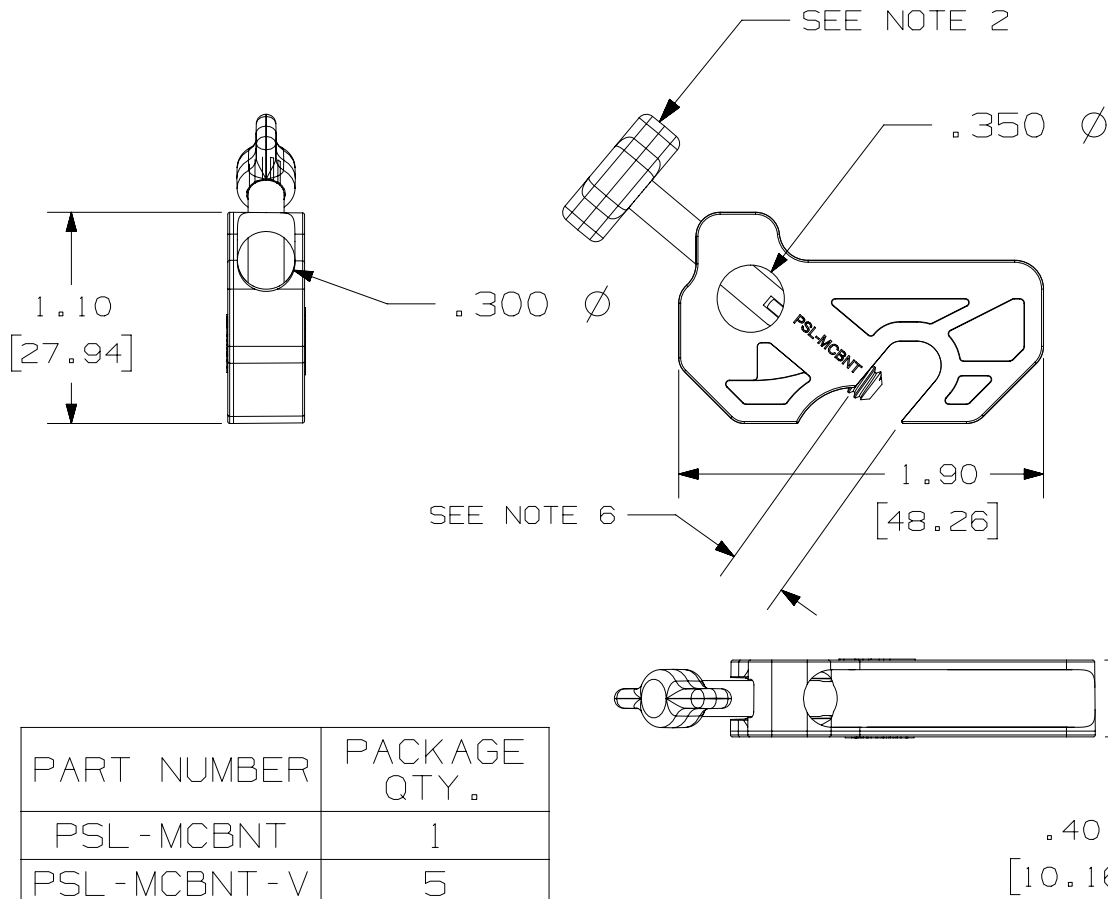


THIS COPY IS PROVIDED ON A RESTRICTED BASIS AND IS NOT TO BE USED IN ANY WAY DETRIMENTAL TO THE INTERESTS OF PANDUIT CORP.



NOTES:

1. [] DENOTE MILLIMETERS
2. TOGGLE SCREW CAP IS SAME MATERIAL AS DEVICE BODY. TOGGLE SCREW IS 303 STAINLESS STEEL
3. OPERATING TEMPERATURE -40°F (-40°C) TO 250°F (121°C)
4. EXCELLENT CHEMICAL RESISTANCE TO THE FOLLOWING;
SULFURIC ACID, HYDROCHLORIC ACID, SODIUM HYDROXIDE, METHYL ETHYL KETON, ACETONE, 1,1,1 TRICHLOROETHANE, METHANOL, IPA, ASTM #3 OIL, SAE 20 OIL, ALCONOX, TOLUENE, MINERAL SPIRITS, GLACIAL ACETIC ACID, DIESEL FUEL, HEPTANE, CELLOSOLVE ACETATE, AMMONIA, TURPENTINE, KEROSENE, WATER, AND GASOLINE
5. FOR USE INDOOR AND OUTDOOR
6. MAX SWITCH HANDLE WIDTH: .295 [7.5]



PART NUMBER	PACKAGE QTY.
PSL - MCBNT	1
PSL - MCBNT - V	5

REV	DATE	BY	CHK	APR	DESCRIPTION	ECN
03	4/19/17	RVU	CLW	JHAC	MIS-SPELL WITH "FUEL" FROM NOTE 4, WAS FULE.	GAECN04099
02	6/14/13	JHAC	CLW	MSAD	ADDED TABLE AND BULK PART NUMBER TO TITLE.	GAECN00939
01	3/27/12	JHAC	CLW	MSAD	ADDED HOLE AND OPENING DIM.	6746
00	4/28/11	JHAC	CLW	MSAD	DRAWING RELEASE.	6374

TITLE PSL-MCBNT & PSL-MCBNT-V NO-TOOL MINIATURE CIRCUIT BREAKER LOCKOUT						
CUSTOMER DRAWING						
ITEM REVISION NAME 100919AM/03					PANDUIT	
DATASET FILE NAME 100919AM_DC_C10906/03D						
UNLESS OTHERWISE SPECIFIED, DIMENSIONAL TOLERANCES ARE: IN (mm)					MATERIAL: RED 33% GLASS-FILLED NYLON	
.x ± .1 [2.54]			.xxx ± .005 [.127]		DRAWING NUMBER: C10906	
.xx ± .01 [.25]			ANGLES ± 5 °		THIRD ANGLE PROJECTION	
DRAWN BY JHAC		DATE 4/28/11		CHK MSAD	SCALE 1:1	SIZE A
					SHT 1 OF 1	