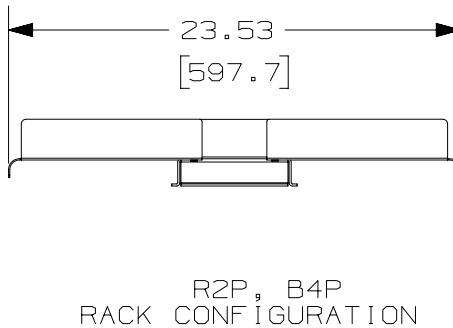
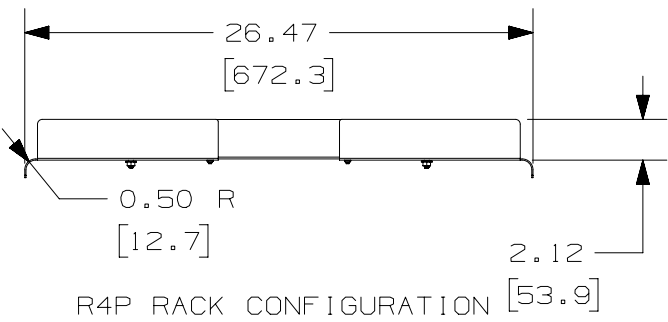
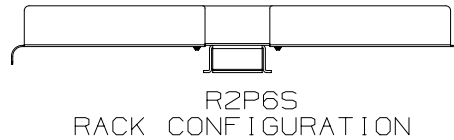
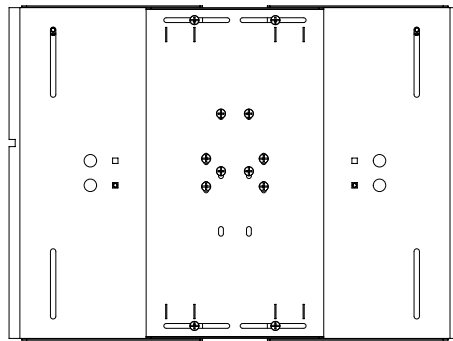
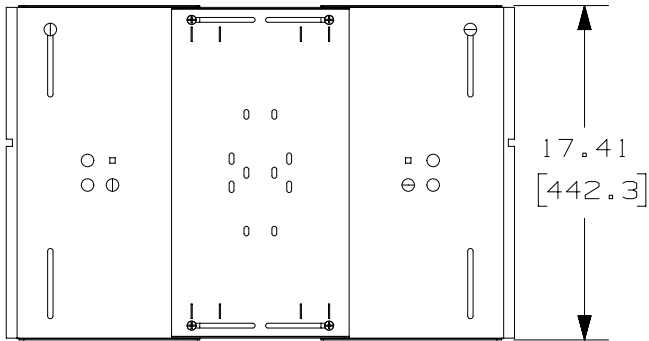


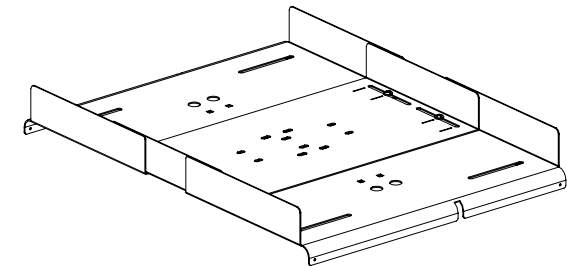
THIS COPY IS PROVIDED ON A RESTRICTED BASIS AND IS NOT TO BE USED IN ANY WAY DETRIMENTAL TO THE INTERESTS OF PANDUIT CORP.



PANDUIT P/N	WEIGHT
PR2VWF PR2VWFH	12.7 LBS/EACH 5.8 kg/EACH

NOTES:

- VISIT OUR ON-LINE CATALOG AT [WWW.PANDUIT.COM](http://WWW.PANDUIT.COM) FOR A CURRENT LIST OF PRODUCTS APPLICABLE FOR USE WITH THIS PART.
- COMPONENTS:
  - 1- ADJUSTABLE WIDTH WATERFALL ASSY
  - 1- R2P RACK MOUNT BRACKET
  - 4- M6x1.0 CARRIAGE BOLTS
  - 4- M6x1.0 SERRATED HEX NUTS
  - 4- M6x1.0 PAN HEAD MACHINE SCREWS
- DIMENSIONS IN PARENTHESES ARE METRIC.



TITLE  
ADJUSTABLE WIDTH WATERFALL FOR USE WITH PR2V\* VERTICAL CABLE MANAGERS (PR2VWF / PR2VWFH)  
CUSTOMER DRAWING

ITEM REVISION NAME

00072GEA/00

DATASET FILE NAME

00072GEA\_DC/00A

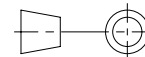
UNLESS OTHERWISE SPECIFIED, DIMENSIONAL TOLERANCES ARE: IN ( mm )

.X ±

.XXX ±

.XX ±

ANGLES ±



THIRD ANGLE PROJECTION

MATERIAL:

STEEL

DRAWING NUMBER:

00072GEA-DC

DRAWN BY

DATE

CHK

SCALE

BAME

3-19-19

KRKE

NONE

SHT 1 OF 3

SIZE

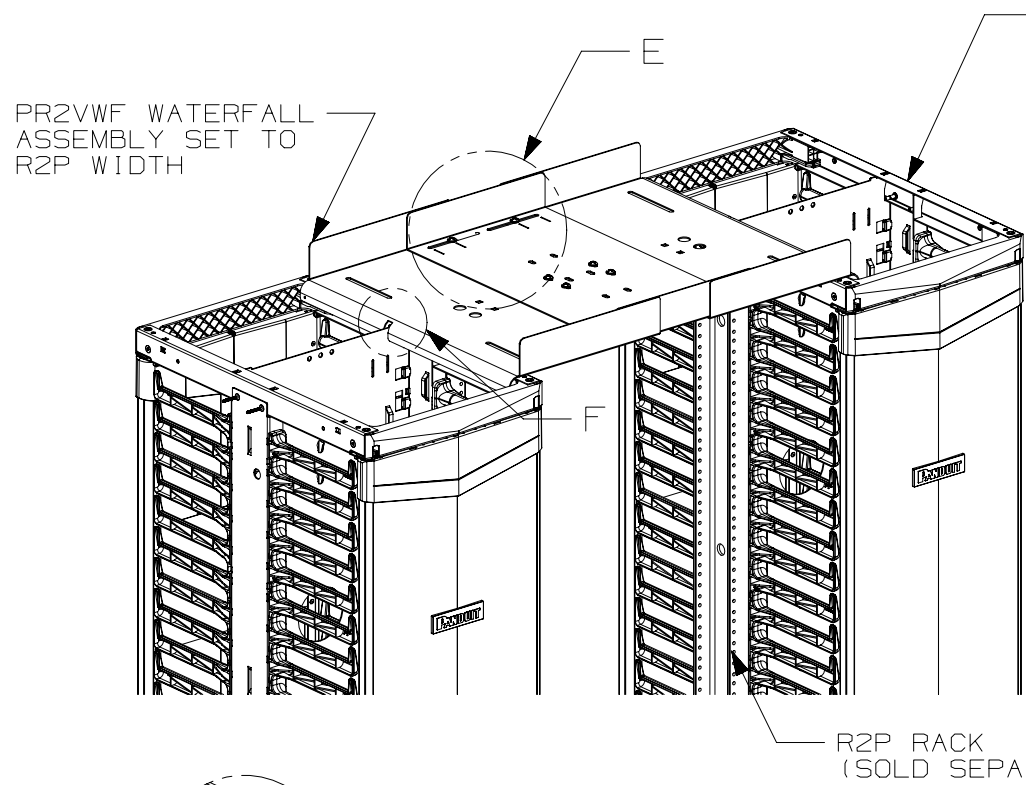
A

REV	DATE	BY	CHK	APR	DESCRIPTION	ECN
00A	3-19-19	BAME			RELEASED TO PRODUCTION	M09000JK

**PANDUIT**

D10100DA/15

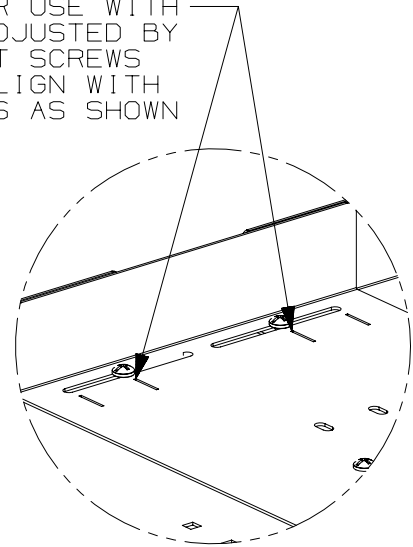
THIS COPY IS PROVIDED ON A RESTRICTED BASIS AND IS NOT TO BE USED IN ANY WAY DETRIMENTAL TO THE INTERESTS OF PANDUIT CORP.



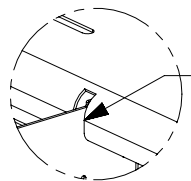
PR2V\* VERTICAL CABLE MANAGER (SOLD SEPARATELY)

PR2VWF WATERFALL ASSEMBLY SET TO R2P WIDTH

CORRECT WIDTH FOR USE WITH AN R2P RACK IS ADJUSTED BY LOOSENING THE SET SCREWS AND SLIDING TO ALIGN WITH THE INNER NOTCHES AS SHOWN



DETAIL E SCALE 1:4



BEND RADIUS FEATURE NOTCHED TO CLEAR THE PR2V CABLE MANAGER BACKBONE. THE WATERFALL CAN BE REVERSED IF THE PE2V CABLE MANAGER IS INSTALLED WITH THE 40% CABLE AREA SET TO THE FRONT OF THE RACK

DETAIL F SCALE 1:4

R2P RACK CONFIGURATION

TITLE		ADJUSTABLE WIDTH WATERALL FOR USE WITH PR2V* VERTICAL CABLE MANAGERS (PR2VWF / PR2VWFH)			CUSTOMER DRAWING	
ITEM REVISION NAME		00072GEA/00			<b>PANDUIT</b>	
DATASET FILE NAME		00072GEA_DC/00A				
UNLESS OTHERWISE SPECIFIED, DIMENSIONAL TOLERANCES ARE: IN (mm)		.XXX ±			MATERIAL:	
.X ±		.XXX ±			STEEL	
.XX ±		ANGLES ±			DRAWING NUMBER:	
THIRD ANGLE PROJECTION		00072GEA-DC			SIZE	
DRAWN BY	DATE	CHK	SCALE	SHT 2 OF 3		A
BAME	3-19-19	KRKE	NONE			

00A	3-19-19	BAME		SEE SHEET 1	M09000JK	
REV	DATE	BY	CHK	APR	DESCRIPTION	ECN

D10100DA/15

