



Product designation

Auxiliary  
contactor  
BG00

Product type designation

**Contact characteristics**

Number of poles	Nr.	4
-----------------	-----	---

Rated insulation voltage $U_i$ IEC/EN	V	690
---------------------------------------	---	-----

Rated impulse withstand voltage $U_{imp}$	kV	6
---	----	---

Operational frequency	min	Hz	25
	max	Hz	400

IEC Conventional free air thermal current $I_{th}$	A	10
--	---	----

Protection fuse	gG (IEC)	A	16
-----------------	----------	---	----

Tightening torque for terminals	min	Nm	0.8
	max	Nm	1
	min	lbin	9
	max	lbin	9

Tightening torque for coil terminal	min	Nm	0.8
	max	Nm	1
	min	lbin	9
	max	lbin	9

Max number of wires simultaneously connectable	Nr.	2
--	-----	---

Conductor section	AWG/Kcmil		
	max		12

Flexible w/o lug conductor section	min	mm <sup>2</sup>	0.75
	max	mm <sup>2</sup>	2.5

Flexible c/w lug conductor section	min	mm <sup>2</sup>	1.5
	max	mm <sup>2</sup>	2.5

Flexible with insulated spade lug conductor section	min	mm <sup>2</sup>	1.5
	max	mm <sup>2</sup>	2.5

Power terminal protection according to IEC/EN 60529	IP20 when properly wired
---	--------------------------

**Mechanical features**

Operating position	normal allowable	Vertical plan ±30°
--------------------	------------------	--------------------

Fixing	Screw / DIN rail 35mm
--------	-----------------------

Weight	g	176
--------	---	-----

Conductor section	AWG/kcmil conductor section		
	max	12	
<b>Auxiliary contact characteristics</b>			
Thermal current I <sub>th</sub>	A	10	
IEC/EN 60947-5-1 designation	A600 - Q600		
Operating current AC15	230V	A	3
	400V	A	1.9
	500V	A	1.4
Operating current DC12	110V	A	2.9
Operating current DC13	24V	A	2.9
	48V	A	1.4
	60V	A	1.2
	110V	A	0.6
	125V	A	0.55
	220V	A	0.3
	600V	A	0.1
<b>Operations</b>			
Mechanical life	cycles	20000000	
<b>Safety related data</b>			
Performance level B10d according to EN/ISO 13489-1	mechanical load	cycles	20000000
Mirror contacts according to IEC/EN 60947-4-1			YES
EMC compatibility			yes
<b>AC coil operating</b>			
Rated AC voltage at 50/60Hz	V	48	
AC operating voltage	of 50/60Hz coil powered at 50Hz		
	pick-up		
	min	%Us	75
	max	%Us	115
	drop-out		
	min	%Us	20
	max	%Us	55
	of 50/60Hz coil powered at 60Hz		
	pick-up		
	min	%Us	80
	max	%Us	115
	drop-out		
	min	%Us	20
	max	%Us	55
AC average coil consumption at 20°C	of 50/60Hz coil powered at 50Hz		
	in-rush	VA	30
	holding	VA	4
	of 50/60Hz coil powered at 60Hz		
	in-rush	VA	25
	holding	VA	3
	of 60Hz coil powered at 60Hz		
	in-rush	VA	30

	holding	VA	4
Dissipation at holding $\leq 20^{\circ}\text{C}$ 50Hz		W	0.95

**Max cycles frequency**

Mechanical operation		cycles/h	3600
----------------------	--	----------	------

**Operating times**

Average time for  $U_s$  control  
in AC

Closing NO	min	ms	12
	max	ms	21
Opening NO	min	ms	9
	max	ms	18
Closing NC	min	ms	17
	max	ms	26
Opening NC	min	ms	7
	max	ms	17

in DC

Closing NO	min	ms	18
	max	ms	25
Opening NO	min	ms	2
	max	ms	3
Closing NC	min	ms	3
	max	ms	5
Opening NC	min	ms	11
	max	ms	17

**UL technical data**

General USE

Contactor

AC current	A	10
------------	---	----

Contact rating of auxiliary contacts according to UL	A600 - Q600
--	-------------

**Ambient conditions**

Temperature

Operating temperature

min	$^{\circ}\text{C}$	-50
max	$^{\circ}\text{C}$	+70

Storage temperature

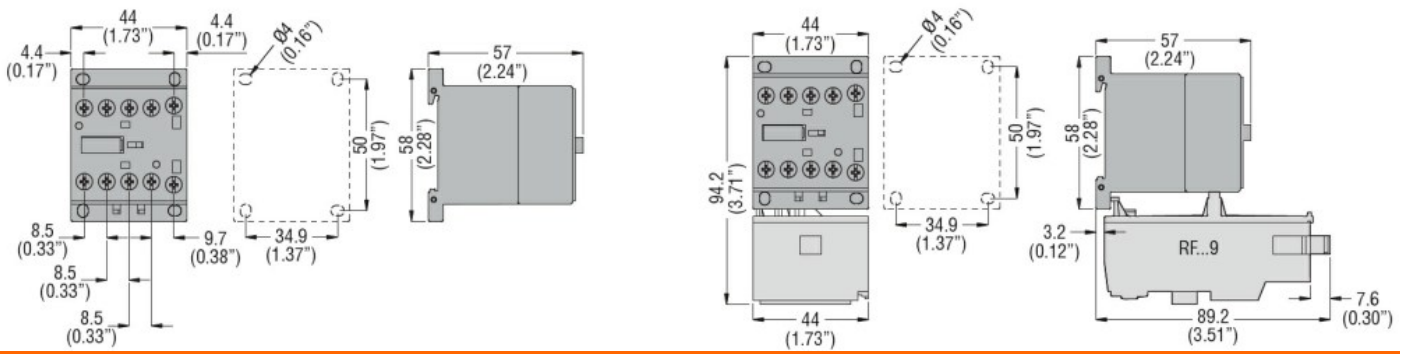
min	$^{\circ}\text{C}$	-60
max	$^{\circ}\text{C}$	+80

Max altitude	m	3000
--------------	---	------

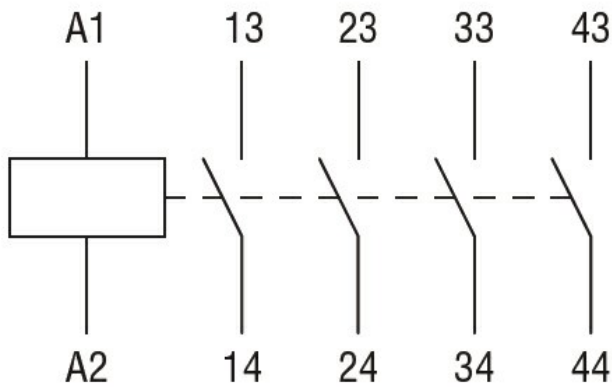
**Resistance & Protection**

Pollution degree	3
------------------	---

**Dimensions**



**Wiring diagrams**



**Certifications and compliance**

**Compliance**

- CSA C22.2 n° 60947-1
- CSA C22.2 n° 60947-5-1
- IEC/EN 60947-1
- IEC/EN 60947-5-1
- UL 60947-1
- UL 60947-5-1

**Certificates**

- CCC
- cULus
- EAC

**ETIM classification**

ETIM 8.0

EC000196 -  
 Contactor relay