

MULTIVERT® 630A 4P (3P+N)

Size 3, 690VAC

IEC FUSE SWITCH DISCONNECTORS

NH VERTICAL FUSE SWITCH DISCONNECTOR



MULTIVERT® NH 4P is the first vertical 4-pole switchable (3P + N) in-line fuse switch disconnecter for busbar systems 185mm with an overall width of 100mm.

It is the most innovative and cost-efficient market solution to realize grid disconnection on all poles.

MULTIVERT® 630A 4P is designed for NH fuse-links in accordance with IEC/EN 60269-2, VDE 0636-2, size 3: 630A.

The system is easy to install via bus bar mounting and is short-circuit proof.

TECHNICAL DATA OVERVIEW

Voltage AC	690 VAC
Amper (A)	630 A
Size per Standard	3
SCCR	Ue = AC 400 V; Ie = 630 A 80kA Ue = AC 500 V; Ie = 630 A 80kA Ue = AC 690 V; Ie = 500 A 50kA
Mounting	bus bar system 185 mm
Switchability	4 poles switching
Number of Poles	4P (3P+N)

FEATURES & BENEFITS

- Safe on load connection/disconnection in accordance with IEC 60947-3
- 4-poles switching (3P+N) according to DIN VDE 0100-444
- N-pole closing earlier and opening later than the outer conductors
- Compact design : 100mm overall width
- Easy installation on 185mm bus bar system
Standard design with M 12 screws
- Varieties of cable termination: bolt, V-terminal, insert nut
- Touch protection IP 30 with central cover
- Lockable and sealable in normal service position
- Voltage measurement from the front

APPLICATIONS

- Cable distribution cabinets
- Renewable energy
- Low voltage distribution boards
- Network systems : TT, TN-S, TN-C-S

STANDARDS

- IEC/EN 60 947-3
- DIN VDE 0100-444
- For NH-fuse links size 3 in accordance with IEC/EN 60 269-2, VDE 0636-2



MERSEN reserves the right to change, update or correct, without notice, any information contained in this datasheet.

MULTIVERT® 630A 4P (3P+N)

Size 3, 690VAC

PRODUCT RANGE

MULTIVERT® 630 A size 3 185 mm 4P (3P+N)

Catalog number	Item number	Cable termination components	Design	Package	Weight
4.350.000	G1056005	M12 bolts	4P (3P+N)	1 piece	8.9 kg
4.370.000	W1058272	V-terminal for V-clamps	4P (3P+N)	1 piece	8.9 kg
4.380.000	X1058273	M12 bus bar terminal V-terminal for N pole	4P (3P+N) MULTIVERT with lateral busbar terminals, busbar coupler switch	1 piece	6.5 kg

TECHNICAL DATA IN ACCORDANCE WITH EN / IEC 60947

	630 A 1x4 pole switching
Number of poles/phases	4P (3P+N)
Size	3
Conventional free air thermal current with NH-fuse links I_{th}	630 A
Max. power dissipation of fuse links P_n	48 W
Conventional free air thermal current with solid links I_{th}	800 A
Max. power dissipation of solid links P_n	17 W
Utilization category to IEC/EN 60947-3 $U_e = AC 400 V; I_e = 630 A$ $U_e = AC 500 V; I_e = 630 A$ $U_e = AC 690 V; I_e = 630 A$	AC 23 B AC 22 B AC 21 B
Rated operational voltage U_e	690 V
Rated insulation voltage U_i	1000 V
Rated impulse withstand voltage U_{imp}	8 kV
Rated frequency	50 ... 60 Hz
Degree of protection	IP 30
Degree of pollution	3
Rated duty	uninterrupted duty
Rated conditional short-circuit current with fuse links $U_e = AC 400 V; I_e = 630 A$ $U_e = AC 500 V; I_e = 630 A$ $U_e = AC 690 V; I_e = 500 A$	80 kA 80 kA 50 kA
Rated short circuit making capacity with solid links I_{cm}	16 kA _{sw}
Rated short-time withstand current I_{cw}	12 kA / 1 s
Power dissipation by I_{th} without NH-fuse links	147 W
Power dissipation by I_{th} without solid links	243 W
Installation mode	bus bar installation
Cable terminal connection	
Standard cable terminal	M12
for cable lugs Cu max.	240 mm ²
for cable lugs Al max.	300 mm ²
for copper bars with max. dimensions	40 x 10 mm
V-shaped lugs for V-terminal clamps	35 - 240 mm ²
Bus bar terminal connection	
Standard bus bar terminal	M12
Bus bar system	185 mm

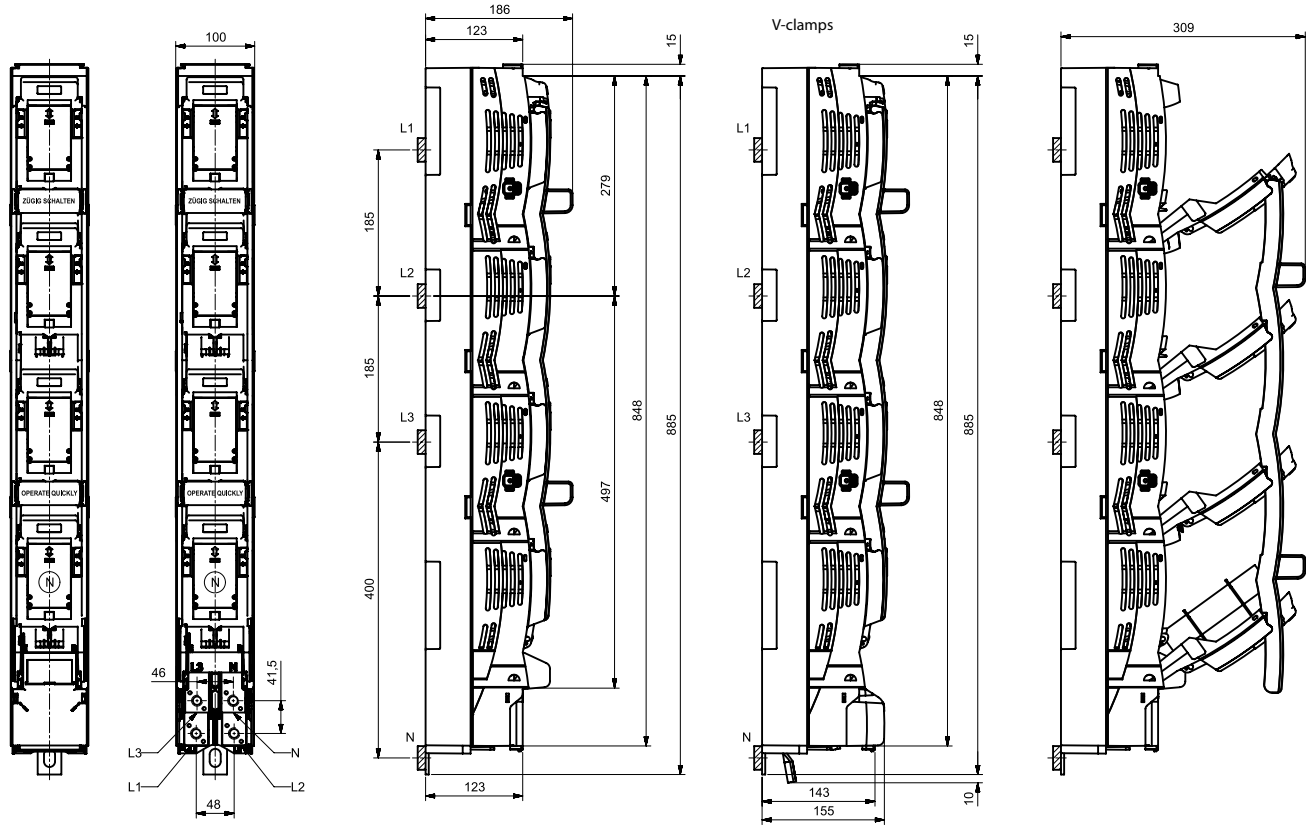
MERSEN reserves the right to change, update or correct, without notice, any information contained in this datasheet.

MULTIVERT® 630A 4P (3P+N)

Size 3, 690VAC

DIMENSIONS

MULTIVERT® 630A NH-vertical fuse switch disconnecter, 4P (3P+N)
direct installation with screws on to 185mm bus bar system



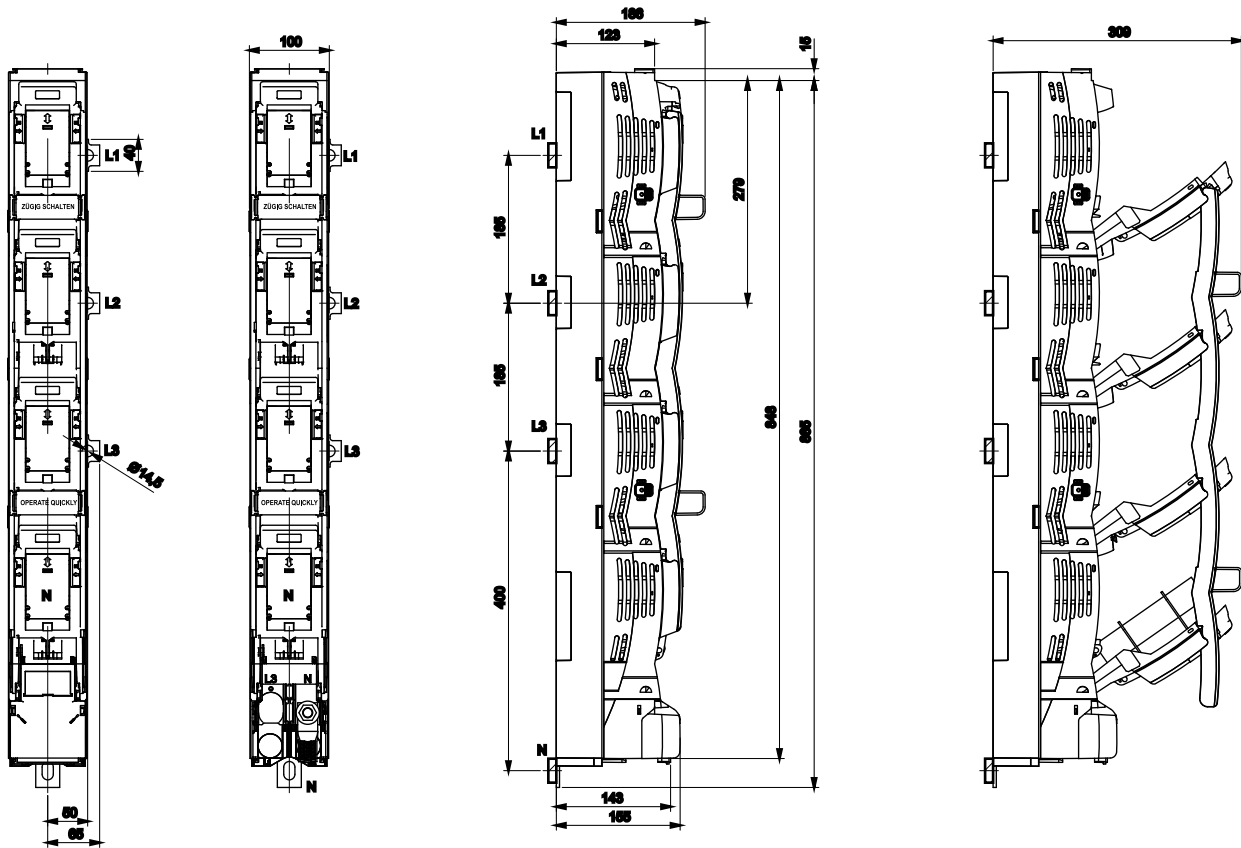
Dimensions in mm

MULTIVERT® 630A 4P (3P+N)

Size 3, 690VAC

DIMENSIONS

MULTIVERT® 630A NH-vertical fuse switch disconnecter, 4P (3P+N)
direct installation with screws on to 185mm bus bar system



Dimensions in mm

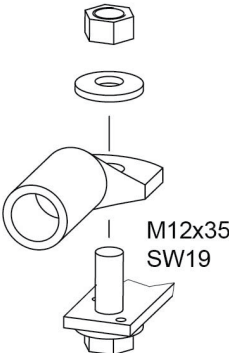
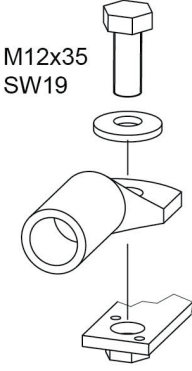
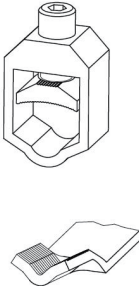
MULTIVERT® 630A 4P (3P+N)

Size 3, 690VAC

DIMENSIONS

Cable termination MULTIVERT® 630A

Terminal connection

Type of terminal to use with	Bolt	Insert nut	V-terminal V-clamp
	Cable lug width max. 44mm	Cable lug width max. 44mm	
Cross section			max. 300mm ² se
Al - DIN 46329	max. 300mm ²	max. 300mm ²	
Cu - DIN 46235	max. 240mm ²	max. 240mm ²	
Tightening torque	35 ± 3Nm	35 ± 3Nm	According printing on clamp
			

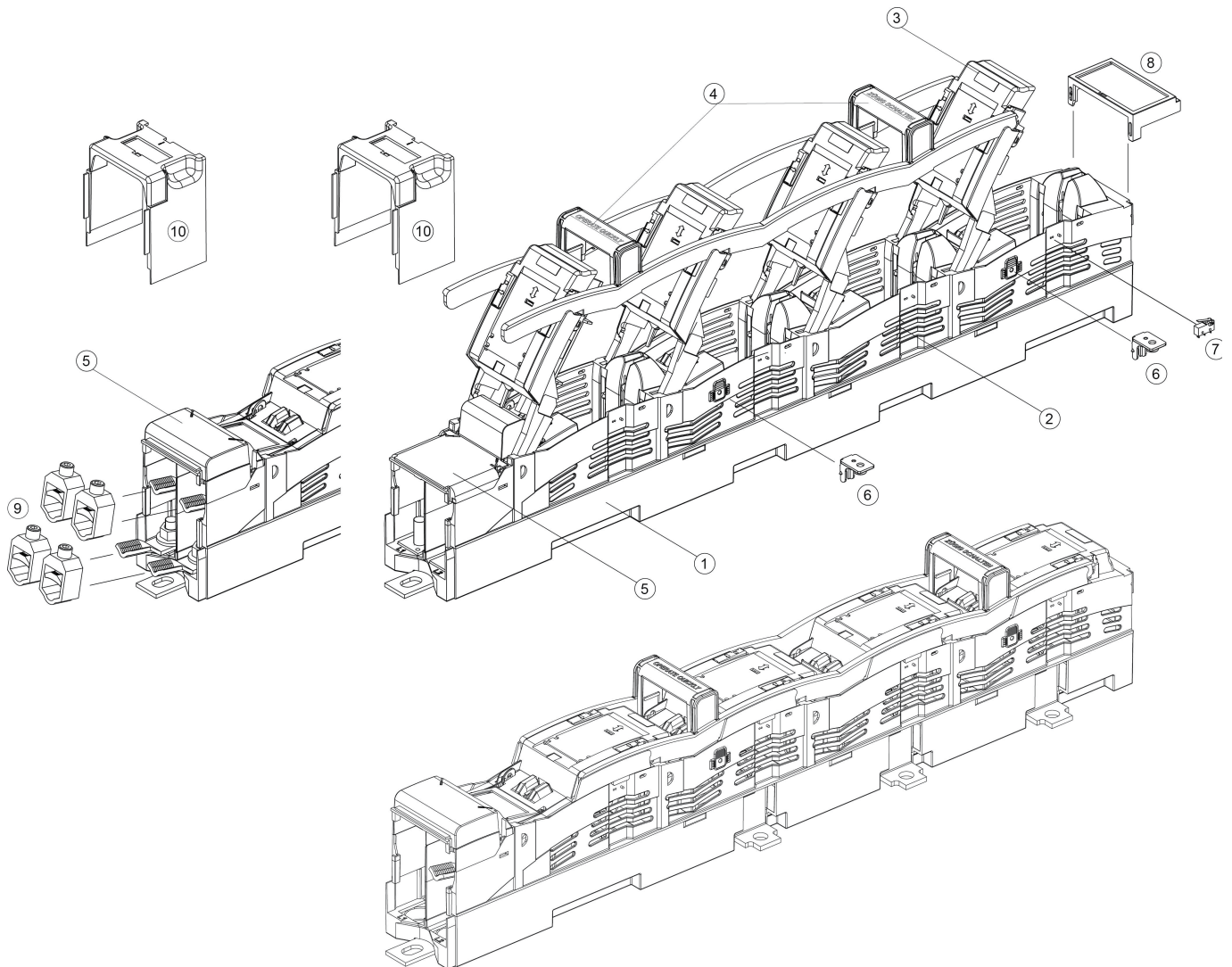
Dimensions in mm

MULTIVERT® 630A 4P (3P+N)

Size 3, 690VAC

EXPLODED SKETCH

MULTIVERT® 630A 4 pole switching (3P+N)



no.	Reference	Short description
1		Main base
2		Protection cover
3		Switch operating cover
4		Handle
5		Integrated cover shroud
6	D218687	Support angle
7	Q1002285	Indicator for switch door position
8	B222181	Labelling facilities MZBT
9	G1058305	V-clamps, 1 set = 4 pieces
10	J1002279	Cover shroud, length 70mm

MERSEN reserves the right to change, update or correct, without notice, any information contained in this datasheet.

MULTIVERT® 630A 4P (3P+N)

Size 3, 690VAC

ACCESSORIES



1.002.095

Cover/shrouds for cable termination

Catalog number	Item number	Design	Application	Package	Weight
1.002.095	J1002279	cover shroud for extended cover length 70 mm	bottom terminal	1 piece	0.12 kg



MZAW

Covers/level & system adjustment covers

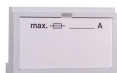
Catalog number	Item number	Design	Package	Weight
MZAW	D218687	support angle for support of cover plate 1 set = 4 pieces	1 set	27 g



1.000.852

Indication facilities

Catalog number	Item number	Design	Package	Weight
1.000.852	Q1002285	indicator for switch door position micro switch, 1 change-over contact 5 A, 250 V	1 piece	90 g



MZBT

Labelling facilities

Catalog number	Item number	Design	Package	Weight
MZBT	B222181	label holder size 1, 2, 3	1 piece	30 g



1.004.402



1.004.403

Varieties of cable termination

Catalog number	Item number	Design	Package	Weight
1.004.402	G1058305	V-terminal clamp size 1,2,3, 95-240 mm ² single solid, 70-240 mm ² single stranded, 50-185 mm ² round stranded, 70-240 mm ² round solid, M = 23 -27 Nm 1 set = 4 pieces	1 set	0.3 kg
1.004.403	H1058306	V-terminal clamp size 1,2,3, 95-300 mm ² single solid, 70-240 mm ² single stranded, 50-185 mm ² round stranded, 70-240 mm ² round solid, M = 23 -27 Nm 1 set = 4 pieces	1 set	0.3 kg

MERSEN reserves the right to change, update or correct, without notice, any information contained in this datasheet.