

# FX0-GENT00030

Flexi Soft

**SAFETY CONTROLLERS**

**SICK**  
Sensor Intelligence.



### Ordering information

Fieldbus, industrial network	Type	Part no.
EtherNet/IP™	FX0-GENT00030	1099830

This is a replacement device with an older firmware for replacing the gateway on existing systems. For new systems, please use gateway 1044072.

Other models and accessories → [www.sick.com/Flexi\\_Soft](http://www.sick.com/Flexi_Soft)



### Detailed technical data

#### Features

<b>Module</b>	Gateway
<b>Fieldbus, industrial network</b>	EtherNet/IP™
<b>Configuration method</b>	Via software (Flexi Soft Designer)
<b>Specialty</b>	This is a replacement device with an older firmware for replacing the gateway on existing systems. For new systems, please use gateway 1044072.
<b>Firmware</b>	V2.11

#### Interfaces

<b>Fieldbus, industrial network</b>	EtherNet/IP™
<b>Integrated Ethernet switch</b>	3-port layer-2 managed switch with Auto-MDI-X for automatic detection of crossed Ethernet cable
<b>Data transmission rate</b>	10 Mbit/s, 10Base-T 100 Mbit/s, 100Base-T autosensing
<b>Connection type</b>	2 x female connector, RJ-45

#### Electrical data

<b>Protection class</b>	III (EN 61140)
<b>Voltage supply</b>	Via FLEXBUS+
<b>Internal power consumption</b>	≤ 2.4 W <sup>1)</sup>

<sup>1)</sup> Via FLEXBUS+.

#### Mechanical data

<b>Dimensions (W x H x D)</b>	22.5 mm x 96.5 mm x 120.6 mm
<b>Weight</b>	125 g (± 10 %)

#### Ambient data

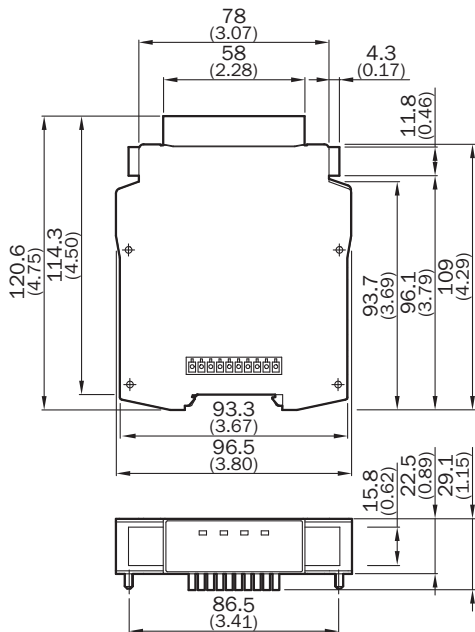
<b>Enclosure rating</b>	IP20 (EN 60529)
<b>Ambient operating temperature</b>	-25 °C ... +55 °C
<b>Storage temperature</b>	-25 °C ... +70 °C
<b>Air humidity</b>	≤ 95 %, Non-condensing

Classifications

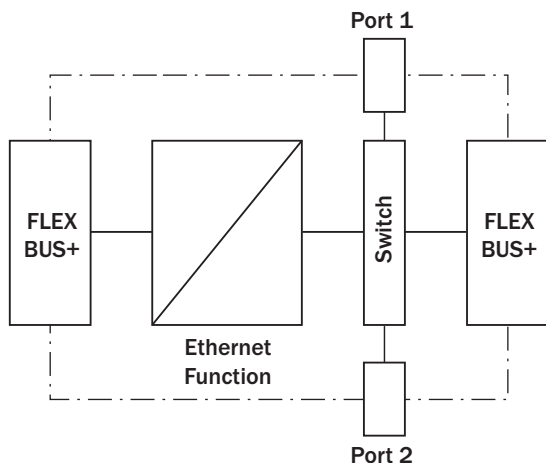
<b>ECLASS 5.0</b>	27243001
<b>ECLASS 5.1.4</b>	27243101
<b>ECLASS 6.0</b>	27243101
<b>ECLASS 6.2</b>	27243101
<b>ECLASS 7.0</b>	27243101
<b>ECLASS 8.0</b>	27243101
<b>ECLASS 8.1</b>	27243101
<b>ECLASS 9.0</b>	27243101
<b>ECLASS 10.0</b>	27243101
<b>ECLASS 11.0</b>	27243101
<b>ECLASS 12.0</b>	27243101
<b>ETIM 5.0</b>	EC001449
<b>ETIM 6.0</b>	EC001449
<b>ETIM 7.0</b>	EC001449
<b>ETIM 8.0</b>	EC001449
<b>UNSPSC 16.0901</b>	32151705

**Dimensional drawing** (Dimensions in mm (inch))

FX0-GENT, FX0-GMOD, FX0-GPNT






### Connection diagram



### Recommended accessories

Other models and accessories → [www.sick.com/Flexi\\_Soft](http://www.sick.com/Flexi_Soft)

Brief description	Type	Part no.
Others		
 <ul style="list-style-type: none"> <li>• <b>Sub product family:</b> SIM1000 FX</li> <li>• <b>Product category:</b> Programmable devices</li> <li>• <b>Supported products:</b> 2D and 3D LiDAR sensors, pico- und midiCam series, incremental and absolute encoders, Image-based code readers, Fixed mount barcode scanners, RFID read/write device, displacement measurement sensors, Photoelectric sensors, Flexi Soft main module</li> <li>• <b>Processor:</b> Dual-core ARM Cortex-A9 CPU with NEON accelerator</li> <li>• <b>Toolkit:</b> SICK algorithm API</li> <li>• <b>Further functions:</b> FPGA for I/O handling</li> <li>• <b>Connections:</b> Terminal block 1-4, Ethernet, FLEXBUS+</li> <li>• <b>Enclosure rating:</b> IP20</li> </ul>	SIM1000-0P0B110	1097817
Safety switching amplifier		
 <ul style="list-style-type: none"> <li>• <b>Applications:</b> Output expansion module for OSSDs</li> <li>• <b>Compatible sensor types:</b> Safety sensors with OSSDs</li> <li>• <b>Connection type:</b> Front connector with spring terminals</li> <li>• <b>Restart interlock:</b> no</li> <li>• <b>External device monitoring (EDM):</b> Via path</li> <li>• <b>Outputs:</b> 2 enabling current paths (safe), 1 feedback current path (for use as external device monitoring, not safe)</li> <li>• <b>Housing width:</b> 18 mm</li> </ul>	RLY3-OSSD100	1085343
 <ul style="list-style-type: none"> <li>• <b>Applications:</b> Output expansion module for OSSDs</li> <li>• <b>Compatible sensor types:</b> Safety sensors with OSSDs</li> <li>• <b>Connection type:</b> Front connector with spring terminals</li> <li>• <b>Restart interlock:</b> no</li> <li>• <b>External device monitoring (EDM):</b> Via path</li> <li>• <b>Outputs:</b> 4 enabling current paths (safe), 1 feedback current path (for use as external device monitoring, not safe), 1 signaling current path (not safe)</li> <li>• <b>Housing width:</b> 28 mm</li> </ul>	RLY3-OSSD400	1099971

## SICK AT A GLANCE

SICK is one of the leading manufacturers of intelligent sensors and sensor solutions for industrial applications. A unique range of products and services creates the perfect basis for controlling processes securely and efficiently, protecting individuals from accidents and preventing damage to the environment.

We have extensive experience in a wide range of industries and understand their processes and requirements. With intelligent sensors, we can deliver exactly what our customers need. In application centers in Europe, Asia and North America, system solutions are tested and optimized in accordance with customer specifications. All this makes us a reliable supplier and development partner.

Comprehensive services complete our offering: SICK LifeTime Services provide support throughout the machine life cycle and ensure safety and productivity.

For us, that is “Sensor Intelligence.”

## WORLDWIDE PRESENCE:

Contacts and other locations –[www.sick.com](http://www.sick.com)