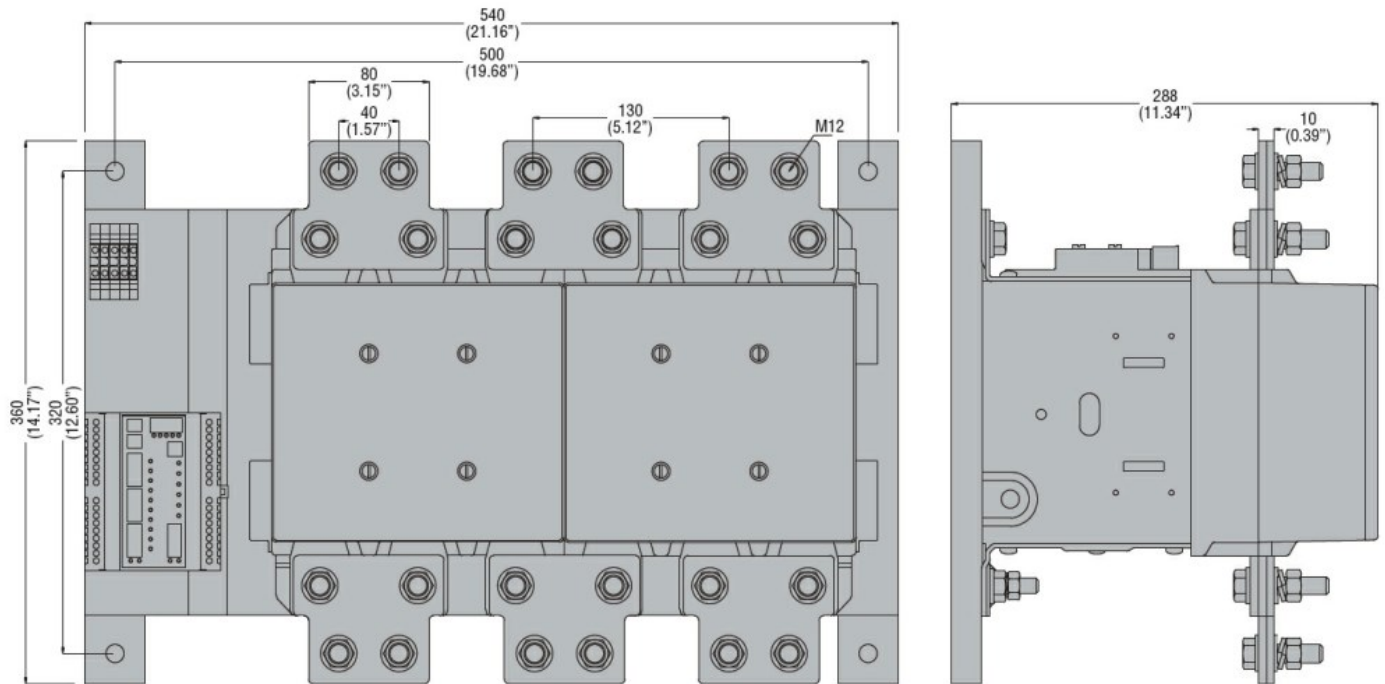




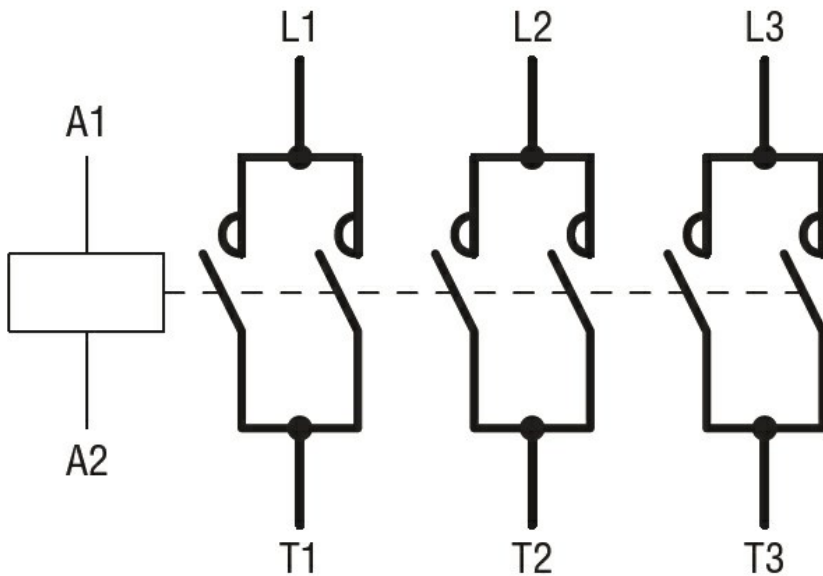
Product designation				Power contactor
Product type designation				B1250
Contact characteristics				
Number of poles	Nr.			3
Rated insulation voltage U _i IEC/EN	V			690
Rated impulse withstand voltage U _{imp}	kV			8
Operational frequency	min	Hz	25	
	max	Hz	400	
IEC Conventional free air thermal current I _{th}	A			1250
Operational current I _e	AC-1 (≤40°C)	A	1250	
	AC-1 (≤55°C)	A	1050	
	AC-1 (≤70°C)	A	880	
Rated operational power AC-1 (T≤40°C)	230V	kW	480	
	400V	kW	830	
	500V	kW	1100	
	690V	kW	1450	
Short-time allowable current for 10s (IEC/EN60947-1)	A			6500
Protection fuse	gG (IEC)	A	1250	
		A	6300	
Making capacity (RMS value)		A	6300	
Breaking capacity at voltage	440V	A	6300	
	500V	A	5600	
	690V	A	5000	
Resistance per pole (average value)		mΩ	7	
Power dissipation per pole (average value)	I _{th}	W	110	
Tightening torque for terminals	min	Nm	35	
	max	Nm	35	
	min	I _{bin}	25.8	
	max	I _{bin}	25.8	
Max number of wires simultaneously connectable		Nr.	2	
Conductor section	AWG/Kcmil			
	max			2x 1500kcmil
Power terminal protection according to IEC/EN 60529				IP00
Mechanical features				
Operating position	normal			Vertical plan
	allowable			±30°
Fixing				Screw

Weight		g	4820
Conductor section	AWG/kcmil conductor section		
		max	2x 1500kcmil
Auxiliary contact characteristics			
Thermal current Ith		A	16
IEC/EN 60947-5-1 designation			A600 - P600
Operating current AC15			
		230V	A 3
		400V	A 1.9
		500V	A 1.4
Operating current DC12			
		110V	A 5.7
Operating current DC13			
		24V	A 5.7
		48V	A 2.9
		60V	A 2.3
		125V	A 0.6
		220V	A 0.2
		600V	A 1.2
Operations			
Mechanical life		cycles	5000000
Electrical life		cycles	700000
Safety related data			
Performance level B10d according to EN/ISO 13489-1			
		rated load	cycles 700000
		mechanical load	cycles 5000000
Mirror contacts according to IEC/EN 60947-4-1			yes
EMC compatibility			yes
AC coil operating			
Rated AC voltage at 50/60Hz, 60Hz			
		min	V 220
		max	V 240
AC operating voltage			
	of 50/60Hz coil powered at 50Hz		
	pick-up	min	%Us 80
		max	%Us 110
	drop-out	min	%Us 20
		max	%Us 60
	of 50/60Hz coil powered at 60Hz		
	pick-up	min	%Us 80
		max	%Us 110
	drop-out	min	%Us 20
		max	%Us 60
	of 60Hz coil powered at 60Hz		
	pick-up	min	%Us 80
		max	%Us 110
	drop-out		

	min	%Us	20
	max	%Us	60
AC average coil consumption at 20°C			
of 50/60Hz coil powered at 50Hz			
	in-rush	VA	800
	holding	VA	45
of 50/60Hz coil powered at 60Hz			
	in-rush	VA	800
	holding	VA	45
Dissipation at holding ≤20°C 50Hz		W	40
DC coil operating			
DC rated control voltage			
	min	V	220
	max	V	240
DC operating voltage			
pick-up			
	min	%Us	80
Max cycles frequency			
Mechanical operation		cycles/h	1200
Operating times			
Average time for U _s control			
in AC			
Closing NO		min	ms 300
		max	ms 450
Opening NO		min	ms 70
		max	ms 130
in DC			
Closing NO		min	ms 300
		max	ms 450
Opening NO		min	ms 70
		max	ms 130
UL technical data			
Contact rating of auxiliary contacts according to UL		A600 - P600	
Ambient conditions			
Temperature			
Operating temperature			
	min	°C	-50
	max	°C	60
Storage temperature			
	min	°C	-60
	max	°C	80
Max altitude		m	3000
Resistance & Protection			
Pollution degree		3	
Dimensions			



Wiring diagrams



Certifications and compliance

Compliance

- CSA C22.2 n° 60947-1
- CSA C22.2 n° 60947-4-1
- IEC/EN 60947-1
- IEC/EN 60947-4-1
- UL 60947-1
- UL 60947-4-1

Certificates

/

ETIM classification

ETIM 8.0

EC000066 -
Power contactor,
AC switching