

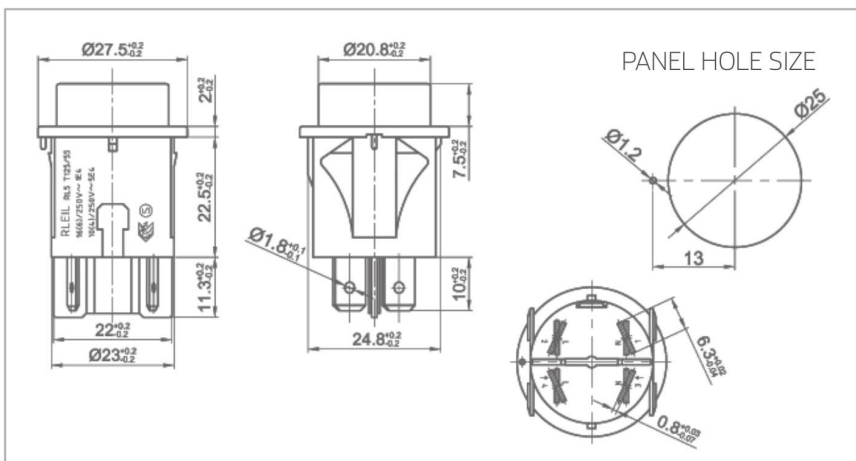
RL-51

Bouton-poussoir pour découpe diam. 25 mm

Commutation



RL-51-21/N-RE/BK-P1-P-2



RU c RU

16 (6)A 250VAC T125/55 1E4
 10 (4)A 250VAC T125/55 5E4
 3/4HP 250VAC
 1/2HP 250VAC
 16A 125 VAC T105

RL-51 - 21/N - RE/BK - P1 - 0 ... (2)

Function Cap colour / Housing Terminals Cap type Voltage

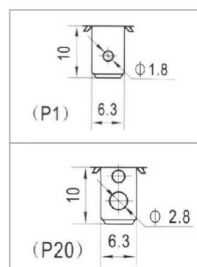
Function

21/N	ON - OFF - 4P w/lamp
21	ON - OFF 4T
21(ON)	(ON) - OFF 4T
21(ON)N	(ON) - OFF 4T w/lamp
11	ON - OFF 2T
11(ON)	(ON) - OFF 2T
00	INDICATOR LAMP

Cap colour/Housing

WT	White
BK	Black
RE	Red
OR	Orange
GR	Green
BL	Blue
GE	Grey

Terminals



Cap type

O	Nothing
P	PVC/Cap.
R	
C	

Voltage

1	110VAC
2	220VAC
3	12VDC
4	24VDC