


Part number

# CDCM 10



Male insert, CDC series, crimp connection, 10 poles + PE, 16 A 250 V 4 kV 3, size "49.16"

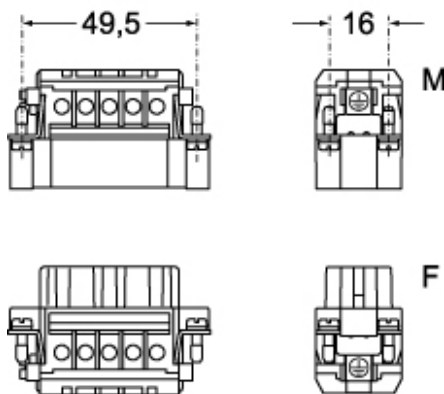
Product description		Material properties	
<b>Product type</b>	Insert	<b>Main material</b>	Polycarbonate (PC)
<b>Series</b>	CDC	<b>Colour</b>	RAL 7032 grey
<b>Connection type</b>	Crimp connection	<b>RoHs conformity</b>	Compliant
<b>Gender</b>	Male	<b>China RoHs - EFUP</b>	E
<b>N. of poles</b>	10 poles + 	<b>REACH SVHC substances</b>	No
<b>Size</b>	Size "49.16"		
Technical data		Approvals / Standards	
<b>Current</b>	16 A	<b>Reference standard</b>	EN 61984:2009-06
<b>Voltage</b>	250 V	<b>Certifications</b>	CSA, CQC, DNV-GL, BV, EAC
<b>Rated impulse withstand voltage</b>	4 kV	<b>UL</b>	ECBT2
<b>Pollution degree</b>	3	<b>cUL</b>	ECBT8
<b>Rated voltage according to UL/CSA</b>	600 V		
<b>IP degree of protection</b>	IP20 without enclosure, IP65/IP66 with enclosure	<b>General ordering information</b>	
		<b>EAN13 code</b>	8015747013505
		<b>eCl@ss 8.1</b>	27440205
		<b>ETIM 7.0</b>	EC000438
Further technical details		Packaging Information	
<b>Characteristics according to EN 61984</b>	16A 250V 4kV 3; 16A 230/400V 4kV 2	<b>Packaging weight</b>	1,09 kg
<b>Mating cycles</b>	≥ 500	<b>Packaging volume</b>	3,29 dm <sup>3</sup>
<b>Insulation resistance</b>	≥ 10 GΩ	<b>Packaging description</b>	Carton box
<b>Contact resistance</b>	≤ 1 mΩ	<b>Packaging quantity</b>	30 Pcs
<b>Weight</b>	30,00 g	<b>Packaging EAN code</b>	8015747013512
<b>Operating temperature range (min, max)</b>	-40 °C ... +125 °C	<b>Sub-packaging weight</b>	0,18 kg
<b>UL 94 flammability rating</b>	V-0	<b>Sub-packaging description</b>	Carton tray
<b>Tightening torque for PE connection</b>	M3,5: 0,8 Nm; 7,1 lb.in (Ph1 or 0,8 x 5,5 mm)	<b>Sub-packaging quantity</b>	5 Pcs
		<b>Sub-packaging EAN barcode</b>	8015747013529

Part number  
**CDCM 10**

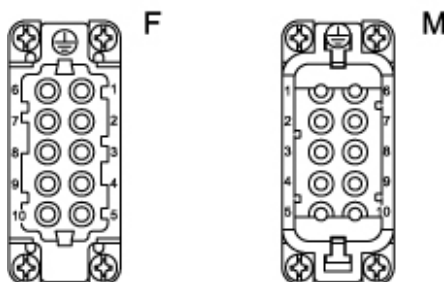


Catalogue drawings

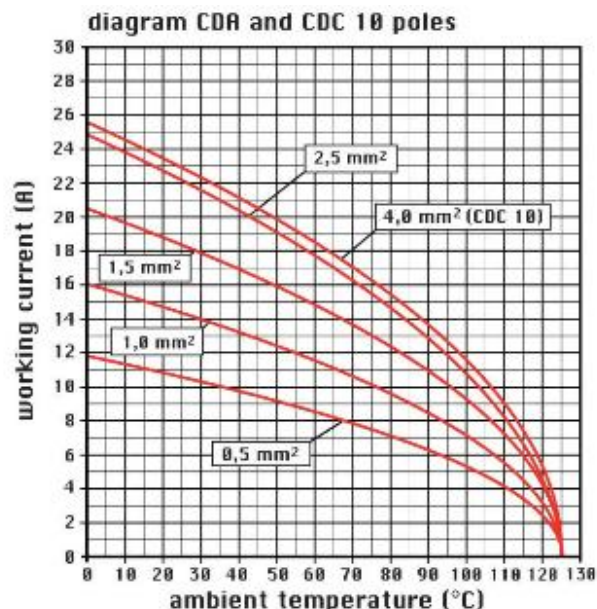
**CDCM 10**



**CDCF 10**



Catalogue drawings



Notes

Dimensions shown in mm are not binding and may be changed without notice.

**California Proposition 65 Information**



**WARNING**

This product can expose you to nickel compounds, known to the State of California to cause cancer and/or reproductive toxicity. For more information go to [www.P65Warnings.ca.gov](http://www.P65Warnings.ca.gov).