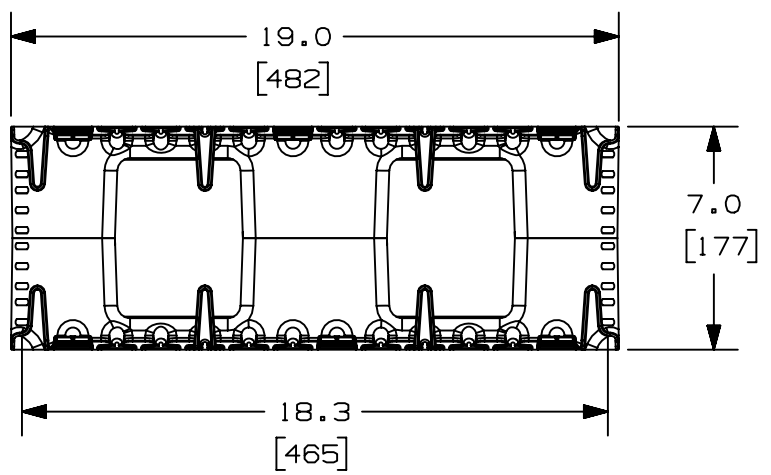


2

1

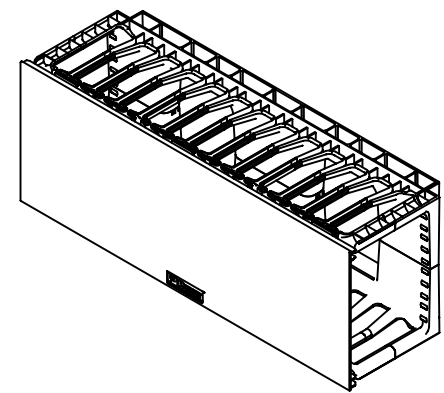
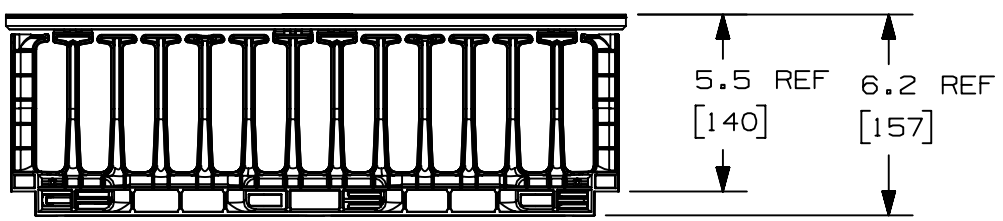
THIS COPY IS PROVIDED ON A RESTRICTED BASIS AND IS NOT TO BE USED IN ANY WAY DETRIMENTAL TO THE INTERESTS OF PANDUIT CORP.



| PANDUIT P/N | WEIGHT |
|----------------|-----------------------------|
| NMF4 NMF4WH | 2.6 LBS/EACH 1179 g/EACH |

- NOTES:
- VISIT OUR ON-LINE CATALOG AT WWW.PANDUIT.COM FOR A CURRENT LIST OF PRODUCTS APPLICABLE FOR USE WITH THIS PART.
 - COMPONENTS:
1- 4RU MANAGER (FRONT ONLY)
1- 4RU 19" COVER
 - DIMENSIONS IN PARENTHESIS ARE METRIC.

MAX STORAGE TEMPERATURE 65° C (149° F)
MAX OPERATING TEMPERATURE 60° C (140° F)



| | | | |
|--------------------------------|---------|---------------------------|------|
| TITLE | | NMF4 CABLE MANAGER | |
| ITEM REVISION NAME | | CUSTOMER DRAWING | |
| DATASET FILE NAME | | V10404AJ/03 | |
| MATERIAL | | DRAWING NUMBER | |
| MANAGER: ABS 4RU COVER: PVC | | 10404-18 | |
| THIRD ANGLE PROJECTION | | SHEET 1 OF 1 | |
| REV | DATE | BY | CHK |
| 03B | 4-29-20 | JBO | JCO |
| DESCRIPTION | | APR | ECN |
| ADDED TEMPERATURE NOTE | | M09000LT | |
| SCALE | | NONE | |
| SCALE | DATE | CHK | SIZE |
| NONE | 3-5-07 | TCK | A |

2

1

A-SIZE CUSTOMER