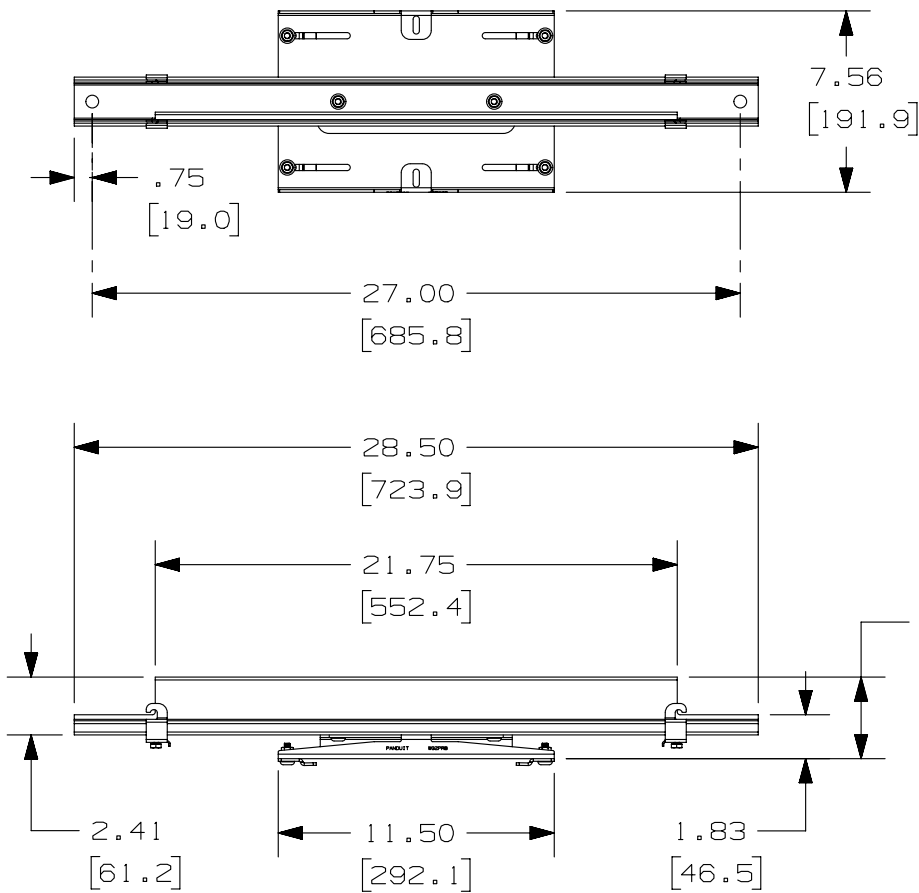


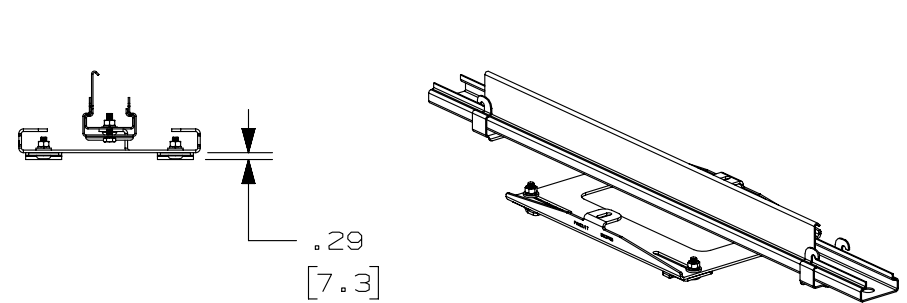
THIS COPY IS PROVIDED ON A RESTRICTED BASIS AND IS NOT TO BE USED IN ANY WAY DETRIMENTAL TO THE INTERESTS OF PANDUIT CORP.



PANDUIT PART NUMBER	WEIGHT
WG2PRB24**	6.02 LB/ EACH (2730.6g/ EACH)

NOTES:

- SEE CURRENT CATALOG FOR ADDITIONAL PART SUFFIXES TO INDICATE PACKAGE QUANTITY.
- THE WYR-GRID RACK MOUNT BRACKET FOR 24" WIDE PATHWAY INCLUDES:  
 ONE (1) 24" WYR-GRID TRAPEZE BRACKET ASSEMBLY.  
 ONE (1) WYR-GRID RACK MOUNT BRACKET BASE ASSEMBLY.  
 TWO (2) 1/4-20 X .75" ROUND HEAD SQUARE NECK BOLT  
 TWO (2) 1/4" SAE FLAT WASHER  
 TWO (2) 1/4" HELICAL SPRING LOCKWASHER  
 TWO (2) 1/4-20 HEX NUT
- DIMENSIONS IN PARENTHESIS ARE IN METRIC.



1	07-02-13	SSP	DWR	RN	RELEASED TO PRODUCTION				11D221AS-DC
R	05-03-13	SSP	DWR		DRAWING RELEASED				
REV	DATE	BY	CHK	APR	DESCRIPTION				ECN

TITLE									
<b>WYR-GRID RACK MOUNT BRACKET FOR 24" WIDE PATHWAY (WG2PRB24**)</b>									
CUSTOMER DRAWING									
ITEM REVISION NAME					11D221AS/01				
DATASET FILE NAME					11D221AS_DS/01B WG2PRB24**				
UNLESS OTHERWISE SPECIFIED, DIMENSIONAL TOLERANCES ARE: IN ( mm )					<b>PANDUIT</b> MATERIAL: <b>STEEL</b>				
.X ± .xxx ± .xx ± .03 ( .78 )									
					THIRD ANGLE PROJECTION				
DRAWN BY		DATE		CHK		SCALE		DRAWING NUMBER:	
SSP		05-03-13		DWR		NONE		11D221AS-DC	
SHT 1 OF 1								SIZE A	