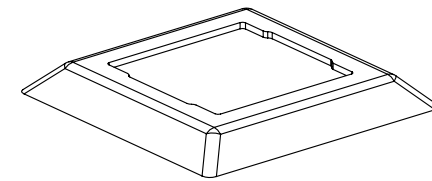
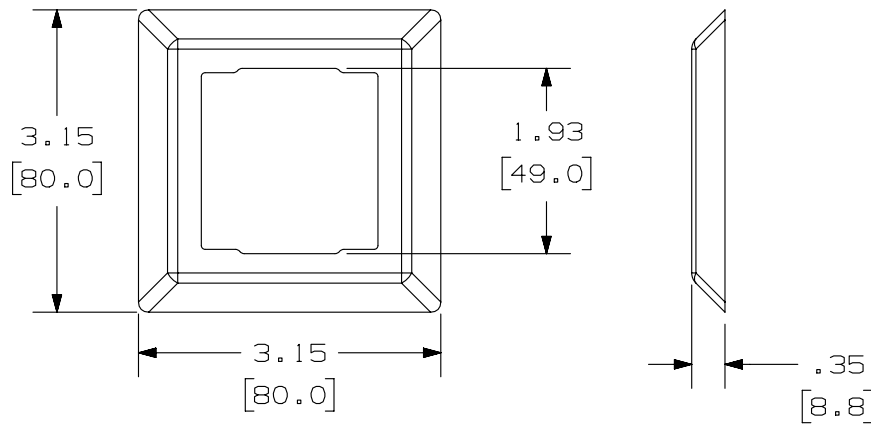


THIS COPY IS PROVIDED ON A RESTRICTED BASIS AND IS NOT TO BE USED IN ANY WAY DETRIMENTAL TO THE INTERESTS OF PANDUIT CORP.

PANDUIT P/N	WEIGHT
FCFP**	.27 LB/10 PCS. (127.0 g/10 PCS.)

- ** NOTES:
- SEE CURRENT CATALOG FOR ADDITIONAL PART NUMBER SUFFIXES TO INDICATE COLOR AND OR PACKAGE QUANTITY.
 - SEE CATALOG FOR COMPLETE LIST OF PARTS APPLICABLE FOR USE WITH THIS PART.
 - DIMENSIONS IN [] ARE IN METRIC.



PART NUMBER		FCFP**	
TITLE		80mm X 80mm FRAME	
		CUSTOMER DRAWING	
ITEM REVISION NAME		M00142BY/00	
DATASET FILE NAME		M00142BY_DC/00A	
UNLESS OTHERWISE SPECIFIED, DIMENSIONAL TOLERANCES ARE: IN [mm]		MATERIAL:	
.x ± .xxx ± .010 [.3]		ABS	
.xx ± .03 [.8] ANGLES ±		DRAWING NUMBER:	
THIRD ANGLE PROJECTION		00142-26	
DRAWN BY	DATE	CHK	SCALE
JSP	9-30-99	CEF	NONE
REV	DATE	BY	CHK
1	5/29/14	JSP	REFR
R	9-30-99	JSP	CEF
DESCRIPTION		ECN	
A. REVISED DRAWING TITLE BLOCK.		00142-26	
RELEASED TO PRODUCTION		00142-26	
SHT 1 OF 1		SIZE	
A		A	

REV	DATE	BY	CHK	APR	DESCRIPTION	ECN
1	5/29/14	JSP	REFR	MMR	A. REVISED DRAWING TITLE BLOCK.	00142-26
R	9-30-99	JSP	CEF	CEF	RELEASED TO PRODUCTION	00142-26

D10100DA/14

2

1

2

1