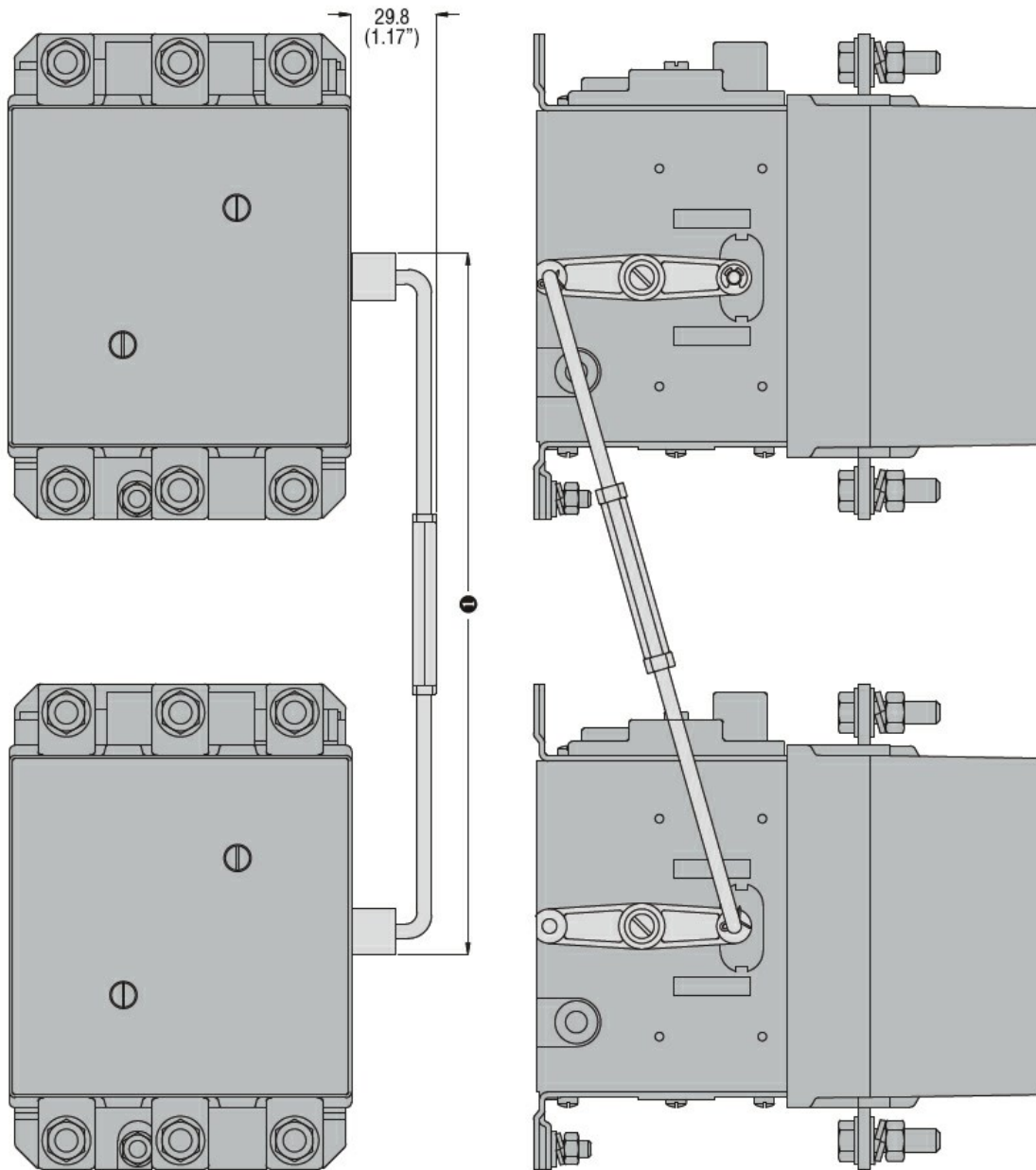


**Dimensions**



**Certifications and compliance**

**Compliance**

- CSA C22.2 n° 60947-1
- CSA C22.2 n° 60947-4-1
- IEC/EN 60947-1
- IEC/EN 60947-4-1
- UL 60947-1
- UL 60947-4-1

**Certificates**

- CSA
- EAC

**ETIM classification**

ETIM 8.0

EC002498 -  
 Accessories/spare  
 parts for low-  
 voltage switch  
 technology

