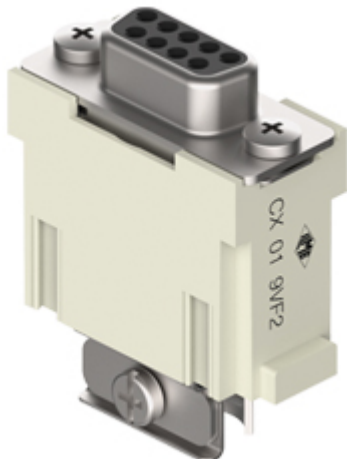


Part number

CX 01 9VF2



Female modular insert, Mixo Data series, D-SUB, 9 poles, 1 module, 5 A 50 V 0,8 kV 3, crimp, shielded, 2 cable entries

Product description	
Product type	Modular insert
Series	Mixo Data
Connection type	D-SUB
Gender	Female
N. of poles	9 poles
Size	1 module
Specification	2 cable entries Crimp, shielded
Technical data	
Current	5 A
Voltage	50 V
Rated impulse withstand voltage	0,8 kV
Pollution degree	3
IP degree of protection	IP20 without enclosure, IP65/IP66/IP68/IP69 with enclosure
Further technical details	
Characteristics according to EN 61984	5 A 50 V 0,8 kV 3
Weight	19,00 g
Operating temperature range (min, max)	-40°C...+70°C

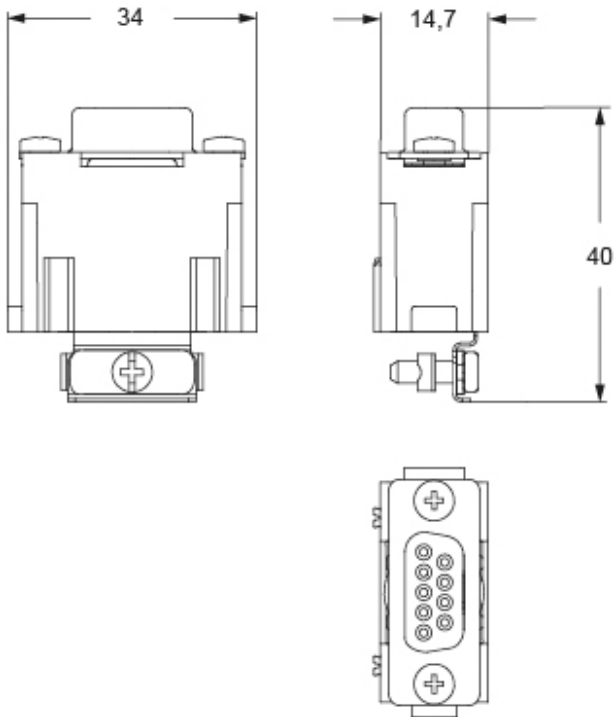
Material properties	
Main material	Polycarbonate (PC)
Colour	RAL 7032 grey
RoHs conformity	Compliant
China RoHs - EFUP	E
REACH SVHC substances	No
General ordering information	
EAN13 code	8015747271752
eCl@ss 8.1	27440205
ETIM 7.0	EC000438
Packaging Information	
Packaging length	112,00 mm
Packaging height	95,00 mm
Packaging width	117,00 mm
Packaging weight	0,24 kg
Packaging volume	1,24 dm ³
Packaging description	Carton box
Packaging quantity	10 Pcs
Packaging EAN code	8015747271769
Sub-packaging weight	0,02 kg
Sub-packaging description	Plastic bag
Sub-packaging quantity	1 Pcs
Sub-packaging EAN barcode	8015747271776

Part number

CX 01 9VF2



Catalogue drawings



Notes

Standard modular inserts:

-in combination with standard contacts and standard frames (CX ... TF/TM); must be mounted either in traditional enclosures or in COB panel supports (both up to 500 matings).

Dimensions shown in mm are not binding and may be changed without notice.

California Proposition 65 Information



WARNING

This product can expose you to lead and its compounds, known to the State of California to cause cancer and/or reproductive toxicity. For more information go to www.P65Warnings.ca.gov.