

1 O450HLED

OPTASON

Traffic Light L.E.D. Array Beacon
 18 x High powered L.E.D's
 IP Rating: IP65
 Temp: -40°C to +70°C
 Relative Humidity: 95% @ 20°C
 Unit weight: 410g
 CE

Dimensions : Ø140 x 177mm
 2 x Pluggable, 0.2 - 2.5mm² / AWG24 - AWG12
 Cable entry: 1 x 5-7mm push through grommet
 2 x M20 cable entry (IP65)

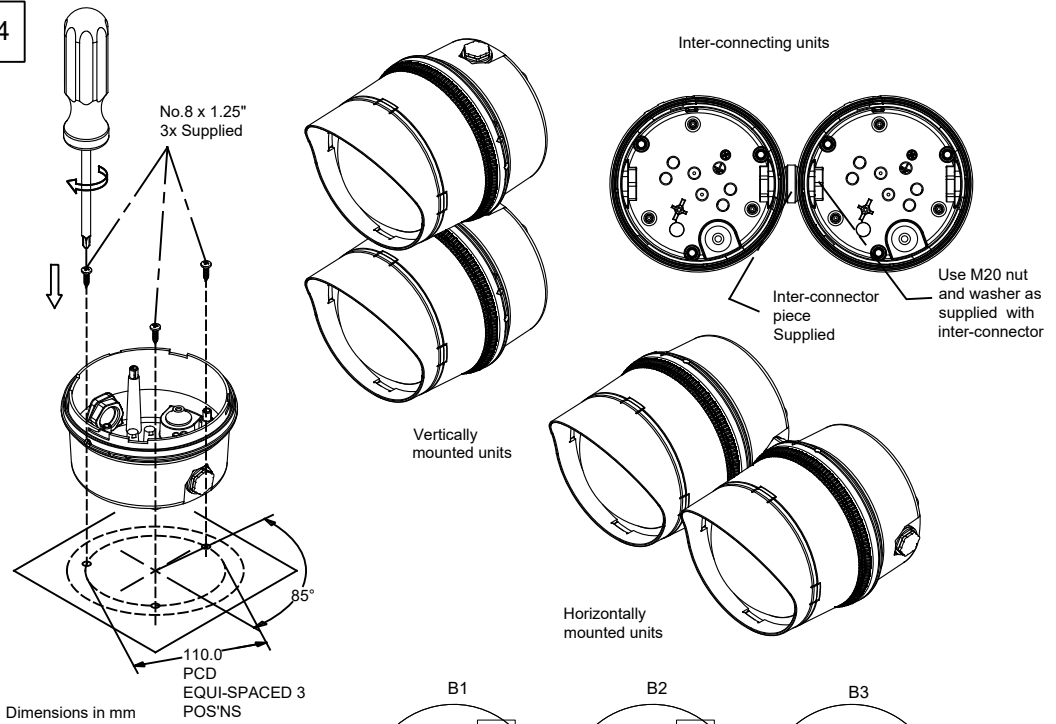
Order code	Voltage	Current
O450HLED024X	10-14V DC (12VDC Customer Set if required)	160mA@12V DC
	16-33V DC (24VDC Mode Set as Default)	180mA @ 24V DC
O450HLED230X	48-260V AC 50/60Hz	90mA @ 230V AC
	48-260V AC 50/60Hz	55mA @ 115V AC
	48 - 260V DC	

X = Lens colour
 0 = Clear 2 = Amber 3 = Red 4 = Blue 5 = Yellow 6 = Green

Multi-unit connection possible using connector supplied
 O450 and O350 units are interconnectable



4

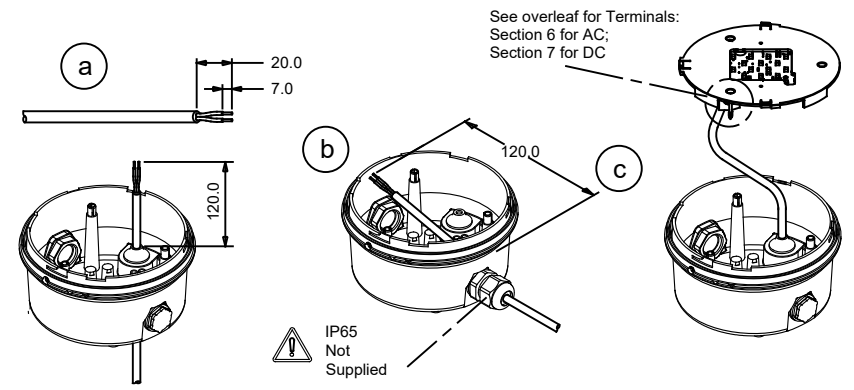


Dimensions in mm

Optional Accessories

EQO450 Mounting bracket kit for linked multiple O450 type units.

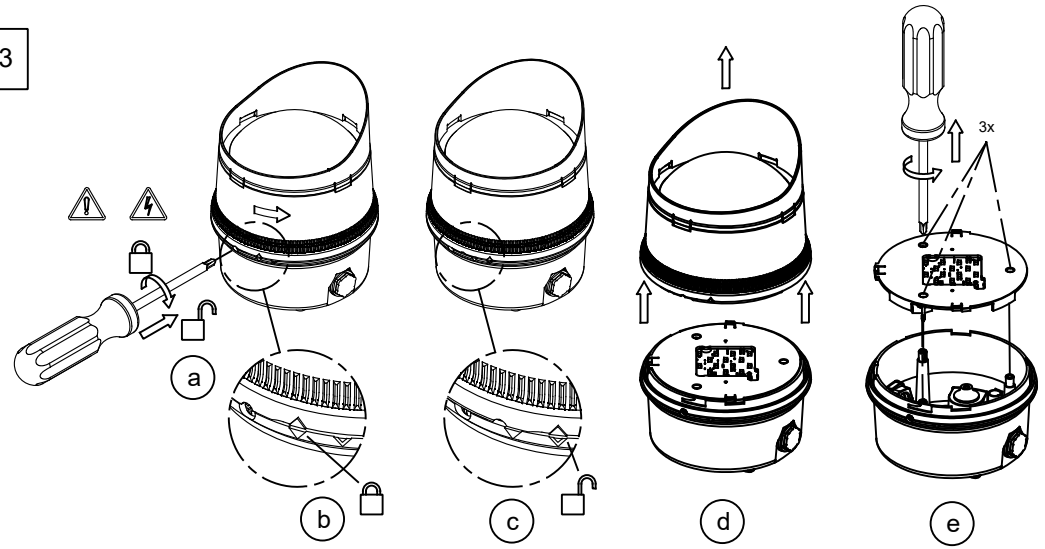
5



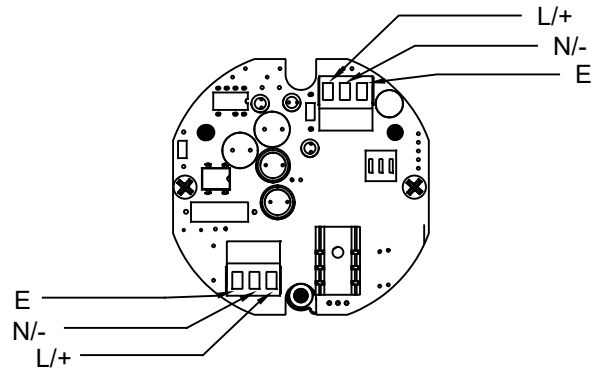
2 Warnings

- ATTENTION:** Installation must be carried out by an electrician in compliance with the latest codes and regulations.
- ATTENTION:** Disconnect from power source before installation or service to prevent electric shock.

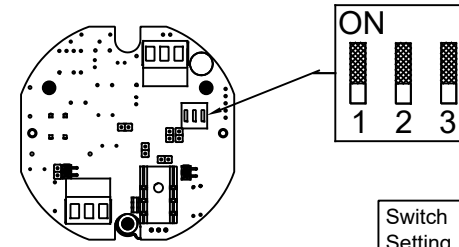
3



6 AC Terminals



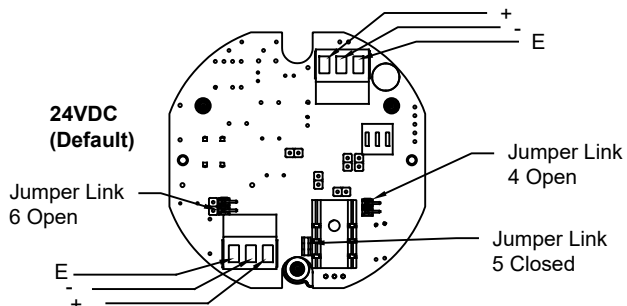
8 Flash Settings (All Units)



Flash Mode Dip Switch
Shown with 1-OFF, 2-OFF, 3-OFF (0 0 0).
This denotes flash mode Steady On
(Default setting). For further flash modes,
see table below

Switch Setting	Flash Mode
(1 2 3)	(All Units)
(0 0 0)	Steady On
(1 0 0)	Blinking
(0 1 0)	Flashing 1Hz
(1 1 0)	Flashing 1.5Hz
(0 0 1)	Flashing Double Strike
(1 0 1)	Flashing Triple Strike
(0 1 1)	Flashing 2Hz
(1 1 1)	Flashing - Temporal

7 DC Terminals & Voltage Link Settings



24VDC
(Default)

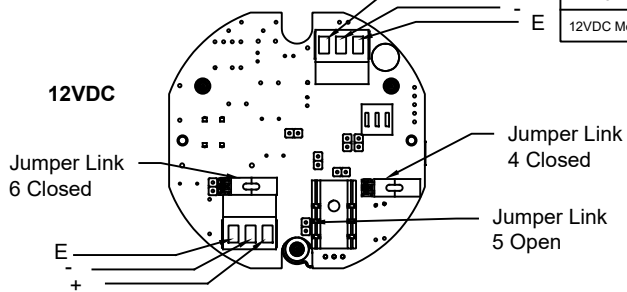
Jumper Link
6 Open

Jumper Link
4 Open

Jumper Link
5 Closed

E
-
+

Jumper Setting	Jumper Link 4	Jumper Link 5	Jumper Link 6
24VDC Mode (Default)	Open	Closed	Open
12VDC Mode (Customer set)	Closed	Open	Closed



12VDC

Jumper Link
6 Closed

Jumper Link
4 Closed

Jumper Link
5 Open

E
-
+

9

