


44428236	<b>DATA SHEET</b>	
Valid from: 12.04.2019	<b>EPIC® SOLAR 4 PLUS FEMALE CONNECTOR</b>	

## Description

- Low contact-resistance for efficient power transmission
- Crimp connection for field mounting
- Suitable for EPIC® SOLAR 4 Plus Male Connector and:

### PV Cable

Name

LAPP KABEL H1Z2Z2-K

Code

H1Z2Z2-K

Cross Section

4,0mm<sup>2</sup> ; 6,0mm<sup>2</sup> ; 10,0mm<sup>2</sup>



## General Characteristics


Series	EPIC® SOLAR 4 Plus
Rated voltage (V)	1500 V AC/DC
Rated impulse voltage	16 kV
Contact resistance	< 0.5 mOhm
Protection	IP 68, (10 h/1m)
Protection class	II
Temperature range	-40°C to +85°C
Degree of soiling	3
Upper Limit Temperature	105°C

## Materials and Surfaces

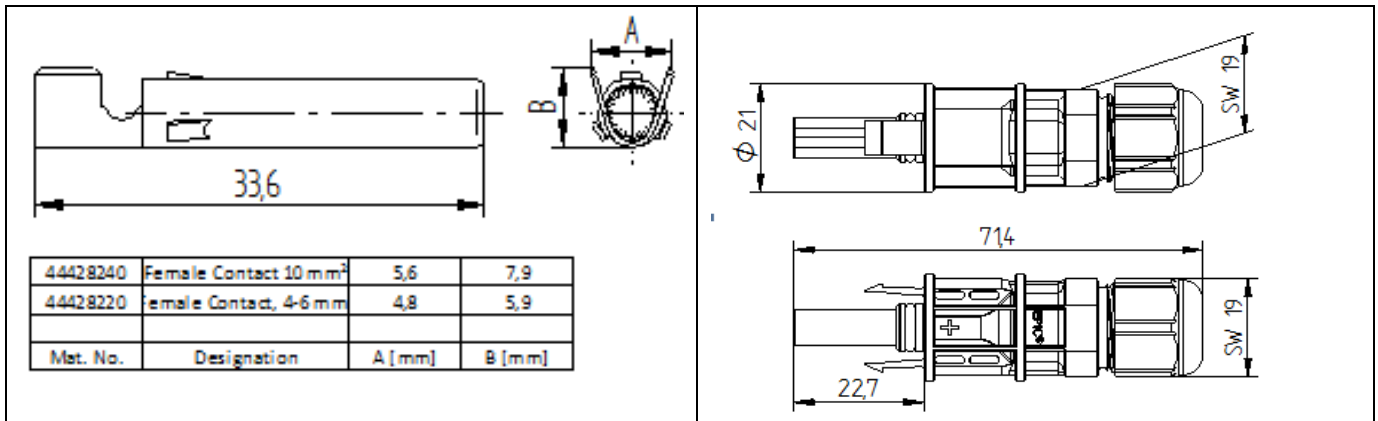
Insulating Body	Polyamid
Nut	Polyamid
Contact	Copper alloy, tin plated

Article Number	Article	Cross section [mm <sup>2</sup> ]	Cable clamping range [mm]	Rated current [A]
EPIC® SOLAR 4 Plus, female field-mountable, inclusive contacts				
44428236	EPIC® SOLAR 4 Plus F 4-6 mm <sup>2</sup>	4 - 6	5,2 - 7,1	30
44428238	EPIC® SOLAR 4 Plus F 10 mm <sup>2</sup>	10	5,2 - 7,1	30
EPIC® SOLAR 4 Plus female contacts				
44428220	EPIC® SOLAR 4 Plus PIN F 4-6 mm <sup>2</sup>	4 - 6		
44428240	EPIC® SOLAR 4 Plus PIN F 10 mm <sup>2</sup>	10		

Creator: JOKR1/PDP Released: DAMU1/PDP	Document: DB44428236EN Version: 01	Page 1 of 2
---	---------------------------------------	-------------

44428236	<b>DATA SHEET</b>	
Valid from: 12.04.2019	<b>EPIC® SOLAR 4 PLUS FEMALE CONNECTOR</b>	

## Technical Drawings



Bauart geprüft  
Sicherheit  
Regelmäßige  
Produktions-  
überwachung



www.tuv.com  
ID 1111217275



Solar Energy



UV-resistant



Waterproof

### Info

4 mm connector system with double hook  
Field-mountable solar connector

### Application range

Photovoltaic plants  
Crystalline and thin-film constructions  
Solartracker

### Product features

4 mm connector system with double hook  
Inclusive contacts

### Remark

Photographs are not to scale and do not represent detailed images of the respective products.

Creator: JOKR1/PDP Released: DAMU1/PDP	Document: DB44428236EN Version: 01	Page 2 of 2
---	---------------------------------------	-------------