



Top push rod plunger
PLN...A

Product designation

Product type designation

General characteristics

Material

Housing

Aluminium-zinc alloy

Contact characteristics

Type of contact

1NC

Rated insulation voltage Ui

V

400

Short-circuit protection with fuse

Class/A

10 gG/SC
QUICK FUSE

IEC Conventional free air thermal current Ith

A

10

Resistance per pole (average value)

mΩ

<10

Mechanical features

Operating head fixing

Fixed

Tightening torque (Max)

Switch fixing

Nm

2.5

lbin

22.1

Conductor section

AWG/Kcmil

max

14

IEC

max

mm²

2.5

Weight

g

240

Operations

Mechanical life

cycles

>10000000

Ambient conditions

Temperature

Operating temperature

min

°C

-25

max

°C

+70

Storage temperature

min

°C

-40

max

°C

+70

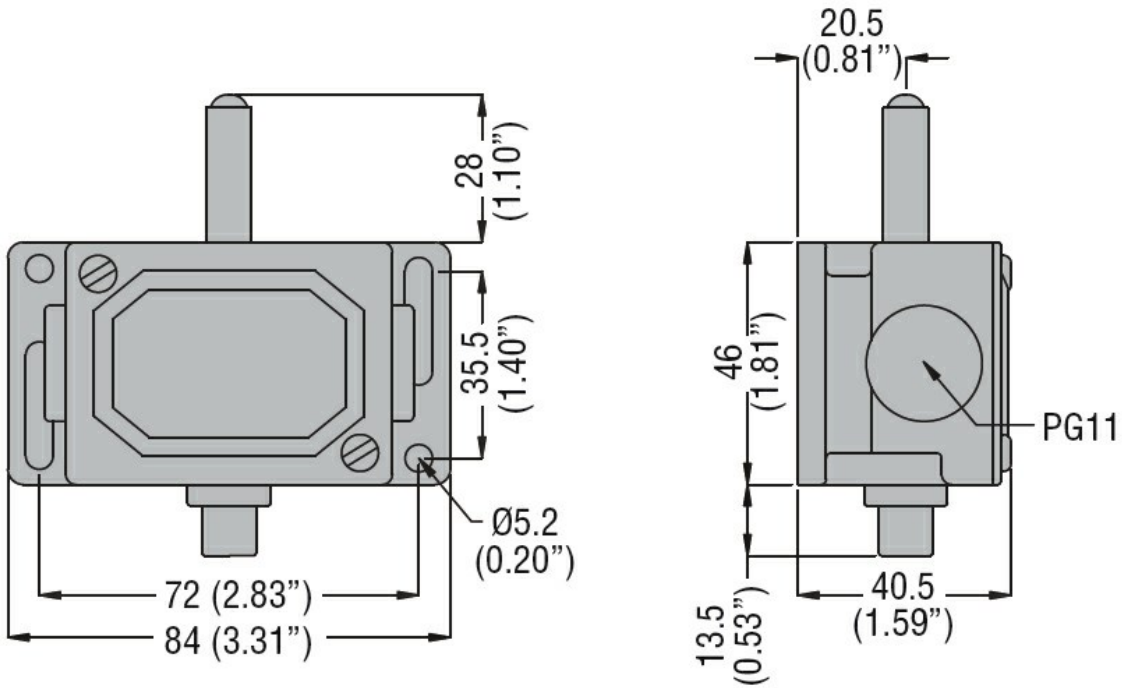
Resistance & Protection

IP degree

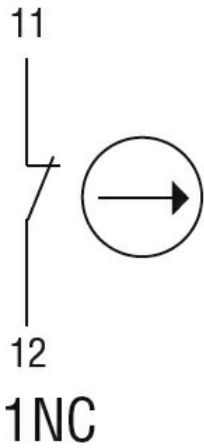
Body housing

IP40

Dimensions



Wiring diagrams



Certifications and compliance

Compliance

EN 81-1.
 IEC/EN 60947-1
 IEC/EN 60947-5-1

Certificates

EAC

ETIM classification

ETIM 8.0

EC000030 - End switch