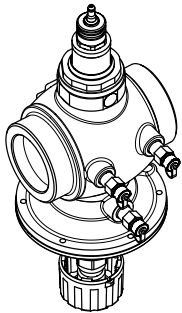
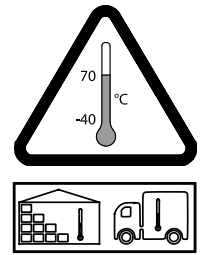
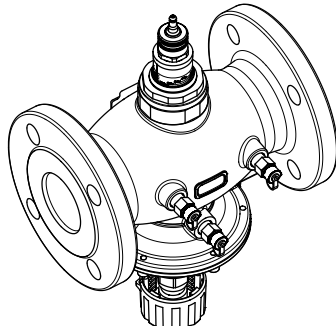


SpaceLogic PIBCV

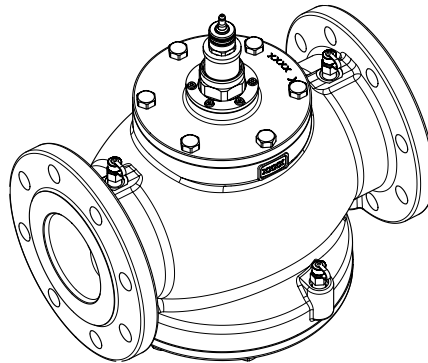
VP220E / VP220F / VP220A



VP220E
(DN 40/50)
(1½"/2")

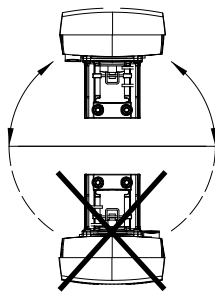


VP220F
(DN 50)

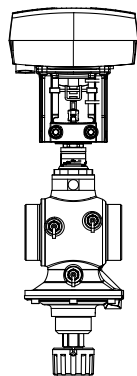


VP220F, VP220A
(DN 65...100)
(2½"...4")

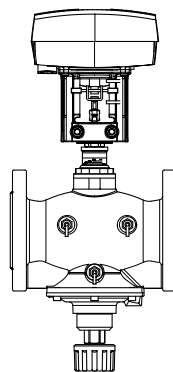
Installation / Einbau / Installation / Montaż / 安装 / Монтаж / Instalación



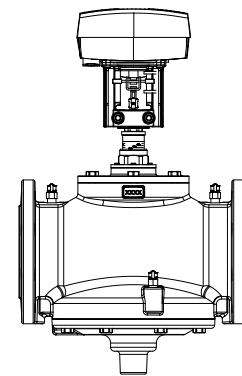
MP500C (-SR)
(IP 54)



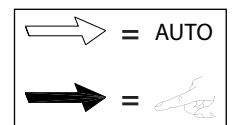
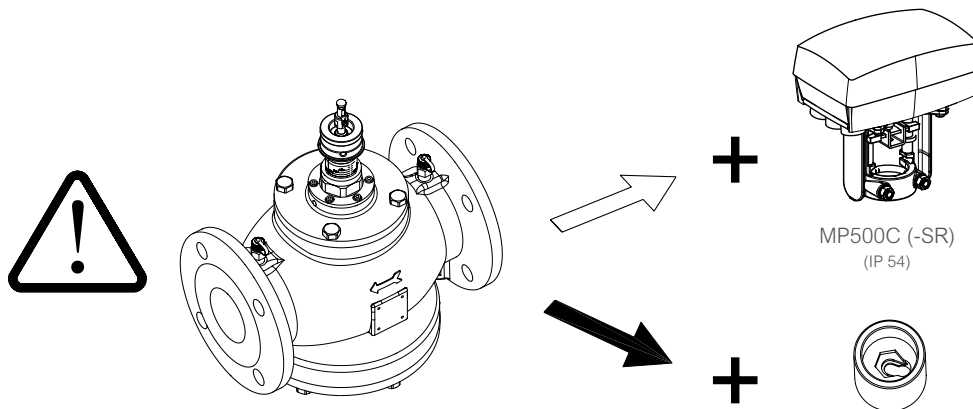
MP500C (-SR)
(DN 40/50)
(1 1/2" / 2")



MP500C (-SR)
(DN 50)
(2")



MP500C (-SR)
(DN 65-100)
(2 1/2" - 4")



MP500C (-SR)
(IP 54)

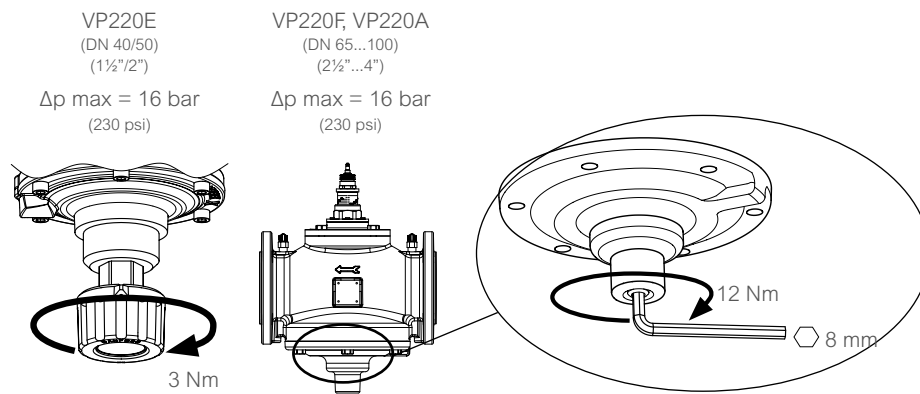
Part No.: 911 4070 000

North America (USA): +1 888 444 1311
Europe, Middle East & Africa (Sweden): +46 10 478 2000
Asia Pacific (Singapore): +65 6484 7877
product.support@schneider-electric.com
www.schneider-electric.com

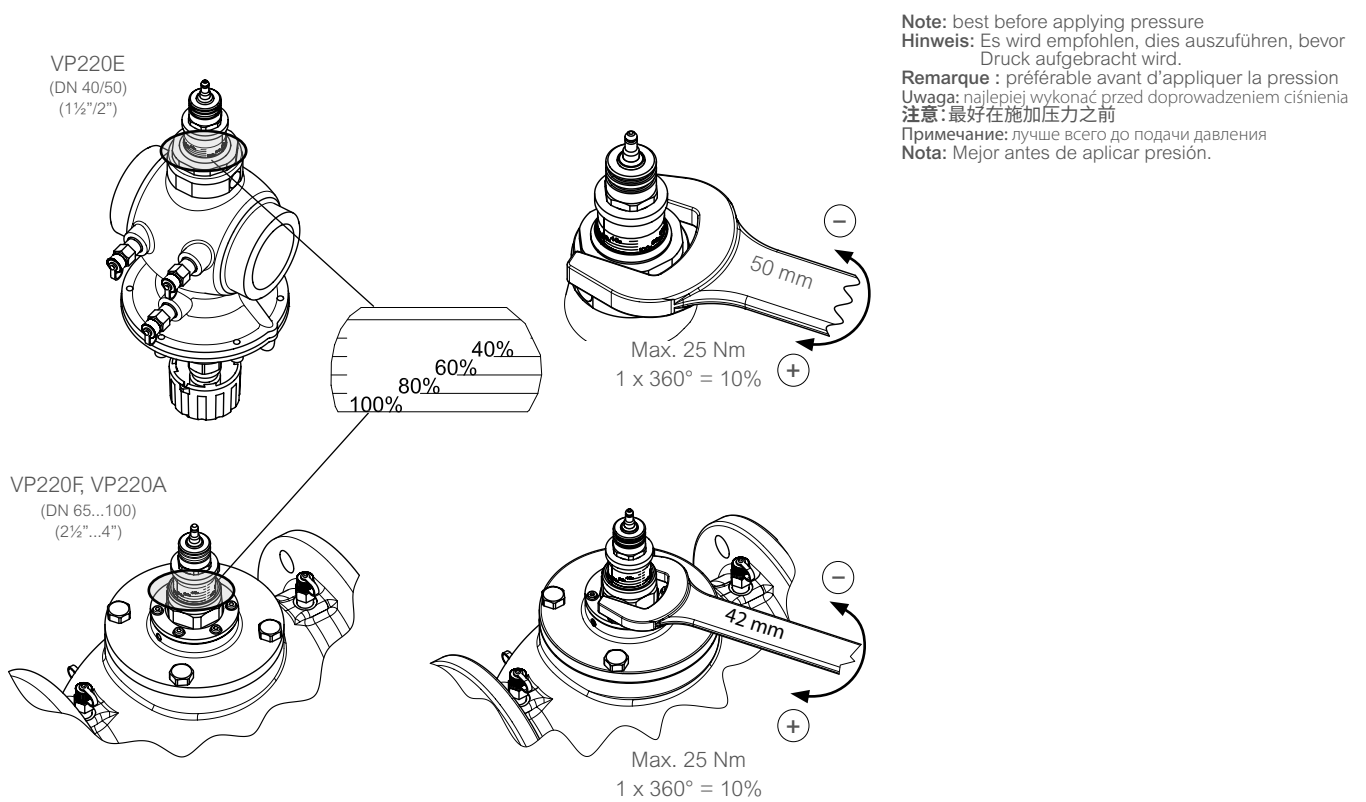
Life Is On

Schneider
Electric

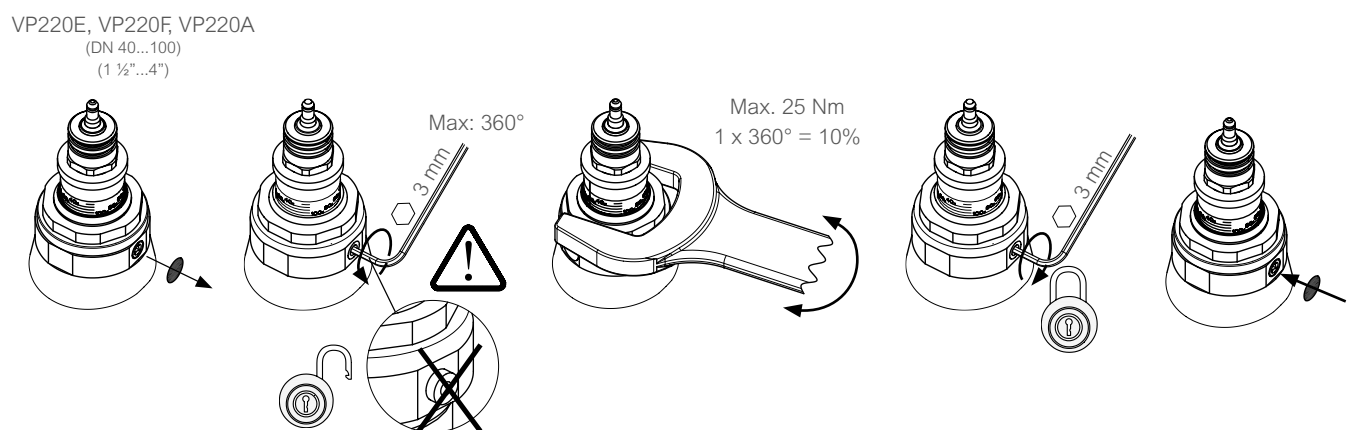
Shut off / Abspernung / Fermeture / Funkcja odcięcia / 关闭 / Отключение / Corte



Setting / Einstellung / Réglage / Wykonywanie nastawy / 设定 / Настройка / Ajuste



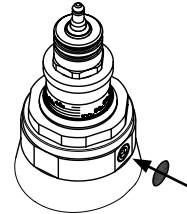
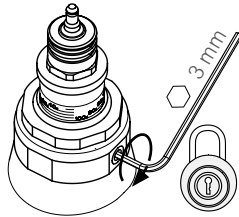
Resetting / Zurücksetzen / Réinitialisation / Resetowanie / 重置 / Переустановка / Reajuste



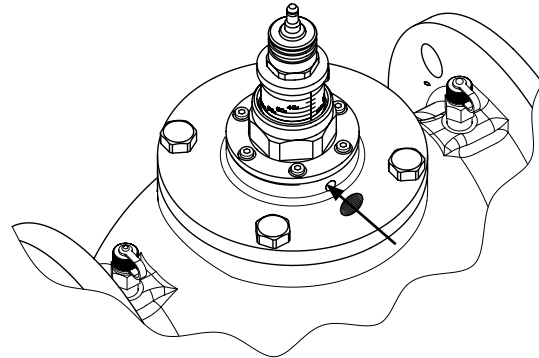
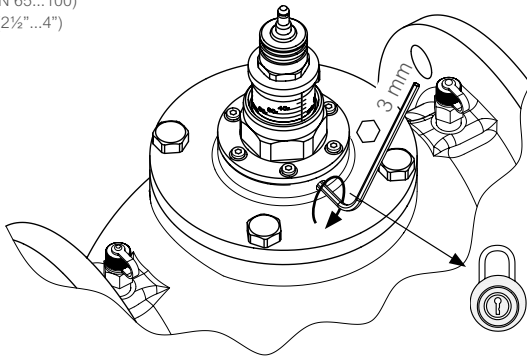
* 1 turn / 1 Umdrehung / 1 tour / 1 obrót / 1 圈 / 1 оборот / 1 vuelta

Locking / Blockierung / Verrouillage / Blokowanie nastawy / 锁定 / Блокировка / Bloqueo

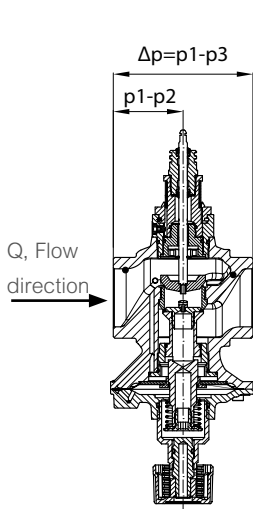
VP220E
(DN 40/50)
(1½"/2")



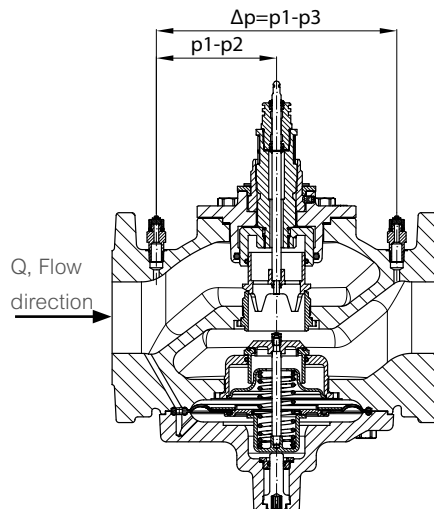
VP220F, VP220A
(DN 65...100)
(2½"...4")



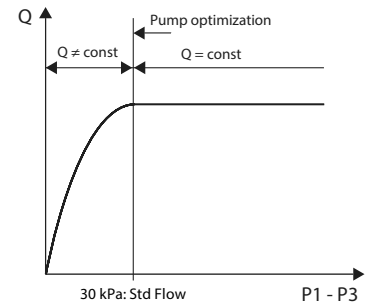
Measuring / Messung / Mesure / Wykonywanie pomiarów / 测量 / Измерение / Medida



VP220E
(DN 40/50)
(1½"/2")

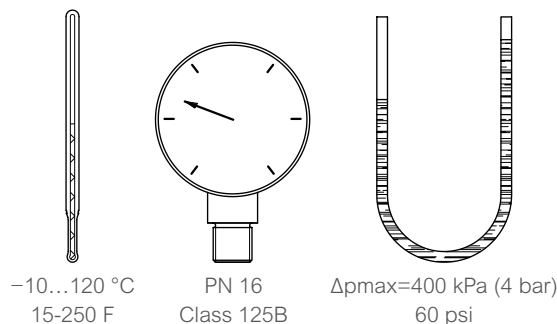


VP220F, VP220A
(DN 65...100)
(2½"...4")



30 kPa: Std Flow
60kPa: High Flow
4.35 psi: Std Flow
8.7 psi: High Flow
Std Flow = VP220*...***CQS
High Flow = VP220*...***CQH

* Flow direction / Durchflussrichtung / sens de circulation / kierunek przepływu / 流向 / направление потока / dirección de caudal pump optimization / Pumpe Optimierung / pompe optimointi / pompa optymalizacja / 泵泵 / насос оптимизация / bomba optimización



| DN 40 1 1/2" | L/h | L/s | GPM |
|-----------------|------|-------|------|
| 20% | 1500 | 0,416 | 6,6 |
| 25% | 1875 | 0,520 | 8,3 |
| 30% | 2250 | 0,625 | 9,9 |
| 35% | 2625 | 0,729 | 11,6 |
| 40% | 3000 | 0,833 | 13,2 |
| 45% | 3375 | 0,937 | 14,9 |
| 50% | 3750 | 1,041 | 16,5 |
| 55% | 4125 | 1,145 | 18,2 |
| 60% | 4500 | 1,250 | 19,8 |
| 65% | 4875 | 1,354 | 21,5 |
| 70% | 5250 | 1,458 | 23,1 |
| 75% | 5625 | 1,562 | 24,8 |
| 80% | 6000 | 1,666 | 26,4 |
| 85% | 6375 | 1,770 | 28,1 |
| 90% | 6750 | 1,875 | 29,7 |
| 95% | 7125 | 1,979 | 31,4 |
| 100% | 7500 | 2,083 | 33,0 |

Note: 1 turn = 10%

| DN 50 2" | L/h | L/s | GPM |
|-------------|-------|-------|-------|
| 40% | 5000 | 1,386 | 22,0 |
| 45% | 5625 | 1,562 | 24,8 |
| 50% | 6250 | 1,736 | 27,5 |
| 55% | 6875 | 1,909 | 30,3 |
| 60% | 7500 | 2,083 | 33,0 |
| 65% | 8125 | 2,256 | 35,8 |
| 70% | 8750 | 2,430 | 38,50 |
| 75% | 9375 | 2,604 | 41,3 |
| 80% | 10000 | 2,777 | 44,0 |
| 85% | 10625 | 2,951 | 46,8 |
| 90% | 11250 | 3,125 | 49,5 |
| 95% | 11875 | 3,298 | 52,3 |
| 100% | 12500 | 3,472 | 55,0 |

Note: 1 turn = 10%

| DN 65 2 1/2" | L/h | L/s | GPM |
|-----------------|-------|------|------|
| 40% | 8000 | 2,22 | 35,2 |
| 45% | 9000 | 2,50 | 39,6 |
| 50% | 10000 | 2,78 | 44,0 |
| 55% | 11000 | 3,06 | 48,4 |
| 60% | 12000 | 3,33 | 52,8 |
| 65% | 13000 | 3,61 | 57,2 |
| 70% | 14000 | 3,89 | 61,6 |
| 75% | 15000 | 4,17 | 66,0 |
| 80% | 16000 | 4,44 | 70,4 |
| 85% | 17000 | 4,72 | 74,9 |
| 90% | 18000 | 5,00 | 79,3 |
| 95% | 19000 | 5,28 | 83,7 |
| 100% | 20000 | 5,56 | 85 |

Note: 1 turn = 10%

| DN 65 HF 2 1/2" HF | L/h | L/s | GPM |
|-----------------------|-------|------|-------|
| 40% | 10000 | 2,78 | 44,0 |
| 45% | 11250 | 3,12 | 49,5 |
| 50% | 12500 | 3,47 | 55,0 |
| 55% | 13750 | 3,82 | 60,5 |
| 60% | 15000 | 4,16 | 66,0 |
| 65% | 16250 | 4,51 | 71,6 |
| 70% | 17500 | 4,86 | 77,1 |
| 75% | 18750 | 5,21 | 82,6 |
| 80% | 20000 | 5,55 | 88,1 |
| 85% | 21250 | 5,90 | 93,6 |
| 90% | 22500 | 6,25 | 99,1 |
| 95% | 23750 | 6,59 | 104,6 |
| 100% | 25000 | 6,94 | 110,1 |

Note: 1 turn = 10%

| DN 80 3" | L/h | L/s | GPM |
|-------------|-------|------|-------|
| 40% | 11200 | 3,11 | 49,3 |
| 45% | 12600 | 3,50 | 55,5 |
| 50% | 14000 | 3,89 | 61,6 |
| 55% | 15400 | 4,23 | 67,8 |
| 60% | 16800 | 4,67 | 74,0 |
| 65% | 18200 | 5,10 | 80,1 |
| 70% | 19600 | 5,44 | 86,3 |
| 75% | 21000 | 5,83 | 92,5 |
| 80% | 22400 | 6,22 | 98,6 |
| 85% | 23800 | 6,61 | 104,8 |
| 90% | 25200 | 7,00 | 111,0 |
| 95% | 26600 | 7,39 | 117,1 |
| 100% | 28000 | 7,78 | 120 |

Note: 1 turn = 10%

| DN 80 HF 3" HF | L/h | L/s | GPM |
|-------------------|-------|-------|-------|
| 40% | 16000 | 4,44 | 70,5 |
| 45% | 18000 | 5,00 | 79,3 |
| 50% | 20000 | 5,56 | 88,1 |
| 55% | 22000 | 6,11 | 96,9 |
| 60% | 24000 | 6,67 | 105,7 |
| 65% | 26000 | 7,22 | 114,5 |
| 70% | 28000 | 7,78 | 123,3 |
| 75% | 30000 | 8,33 | 132,1 |
| 80% | 32000 | 8,89 | 140,9 |
| 85% | 34000 | 9,44 | 149,7 |
| 90% | 36000 | 10,00 | 158,5 |
| 95% | 38000 | 10,55 | 167,3 |
| 100% | 40000 | 11,11 | 176,1 |

Note: 1 turn = 10%

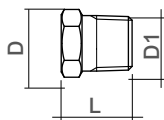
| DN 100 4" | L/h | L/s | GPM |
|--------------|-------|-------|-------|
| 40% | 15200 | 4,22 | 66,9 |
| 45% | 17100 | 4,75 | 75,3 |
| 50% | 19000 | 5,28 | 83,7 |
| 55% | 20900 | 5,81 | 92,0 |
| 60% | 22800 | 6,33 | 100,4 |
| 65% | 24700 | 6,86 | 108,8 |
| 70% | 26600 | 7,39 | 117,1 |
| 75% | 28500 | 7,92 | 125,5 |
| 80% | 30400 | 8,44 | 133,8 |
| 85% | 32300 | 8,97 | 142,2 |
| 90% | 34200 | 9,50 | 150,6 |
| 95% | 36100 | 10,03 | 158,9 |
| 100% | 38000 | 10,56 | 165 |

Note: 1 turn = 10%

| DN 100 HF 4" HF | L/h | L/s | GPM |
|--------------------|-------|-------|-------|
| 40% | 23600 | 6,55 | 103,9 |
| 45% | 26550 | 7,37 | 116,9 |
| 50% | 29500 | 8,19 | 129,9 |
| 55% | 32450 | 9,01 | 142,9 |
| 60% | 35400 | 9,83 | 155,9 |
| 65% | 38350 | 10,65 | 168,9 |
| 70% | 41300 | 11,47 | 181,9 |
| 75% | 44250 | 12,29 | 194,9 |
| 80% | 47200 | 13,10 | 207,8 |
| 85% | 50150 | 13,92 | 220,8 |
| 90% | 53100 | 14,74 | 233,8 |
| 95% | 56050 | 15,56 | 246,8 |
| 100% | 59000 | 16,38 | 259,8 |

Note: 1 turn = 10%

* 1 turn / 1 Umdrehung / 1 tour / 1 obrót / 1 圈 / 1 оборот / 1 vuelta



| Valve DN | Valve External Thread | Female NPT | Sweat | Male NPT | Female Rp Thread | Male Thread | Solder | Weld |
|-------------|-----------------------|-----------------------|------------------------|----------------------|-------------------------|-----------------------|-----------------------|----------------------|
| 40 (1 1/2") | G2 A | 1 1/2" (L = 47 mm) | 1 5/8" (L = 60mm) | 1 1/2" (L = 58mm) | G1 1/4" (L = 43,5mm) | R1 1/2" (L = 58mm) | 42 mm (L = 57,5mm) | 48,3mm (L = 79mm) |
| 50 (2") | G2 1/2 A | 2" (L = 49 mm) | 2 1/8" (L = 71,5mm) | 2" (L = 71,5mm) | G1 1/2" (L = 48mm) | R2" (L = 71,5mm) | 54 mm (L = 61,5mm) | 60,3mm (L = 97mm) |

| Valve DN | Valve External Thread | Female NPT | Sweat | Male | Female BSP Thread | Male Thread | Solder | Weld |
|-----------------------------|------------------------------|-----------------------|-------------------------------|------------------|-----------------------|------------------|-----------------------------|---------------------------|
| Ventil DN | Ventil Außengewinde | NPT-Innengewinde | Lötfitting | Außengewinde | BSP-Innengewinde | Außengewinde | Lötanschluss | Schweißanschluss |
| Vanne DN | Filetage externe de la vanne | NPT femelle | Soudage à l'étain | Mâle | Filetage femelle BSP | Filetage mâle | Brasage | Soudage |
| Średnica DN zaworu | Gwint zewnętrzny zaworu | Gwint wewnętrzny NPT | Połączenie lutowane dociskowo | Gwint zewnętrzny | Gwint wewnętrzny BSP | Gwint zewnętrzny | Połączenie lutowane | Połączenie spawane |
| 阀门 | 外螺纹阀门 | 内螺纹 NPT | 熔焊 | 外螺纹 | 内螺纹 BSP | 外螺纹 | 钎焊 | 焊接 |
| Номинальный диаметр клапана | Наружная резьба клапана | Внутренняя резьба NPT | Припой | Наружная резьба | Внутренняя резьба BSP | Наружная резьба | Пайка | Сварка |
| Válvula (DN) | Rosca externa de la válvula | NPT hembra | Conexión para soldar | Macho | Rosca BSP hembra | Rosca macho | Soldadura (metales blandos) | Soldadura (metales duros) |

| UK Representative | Manufacturer |
|---|--|
| Schneider Electric Limited Stafford Park 5 Telford, TF3 3BL United Kingdom | Schneider Electric Fabriksvägen 1 137 37 Västerhaninge Sweden |