


Part number

SQE 1664



Interlocked switched socket-outlet, SQE series, 3 poles + PE, 6 h (red), 16 A, 380 ÷ 415 V, without fuse-carrier

Product description	
Product type	Interlocked switched socket-outlet
Series	SQE
N. of poles	3 poles + 
Clock position	6
Size	Socket fixing centre distance 88 x 230 mm
Specification	Without fuse-carrier
Technical data	
Current	16 A
Voltage	380 ÷ 415 V
IP degree of protection	IP44
Further technical details	
Weight	506,00 g
Operating temperature range (min, max)	-25°C ... +40°C
IK rating (impact degree of protection)	IK08

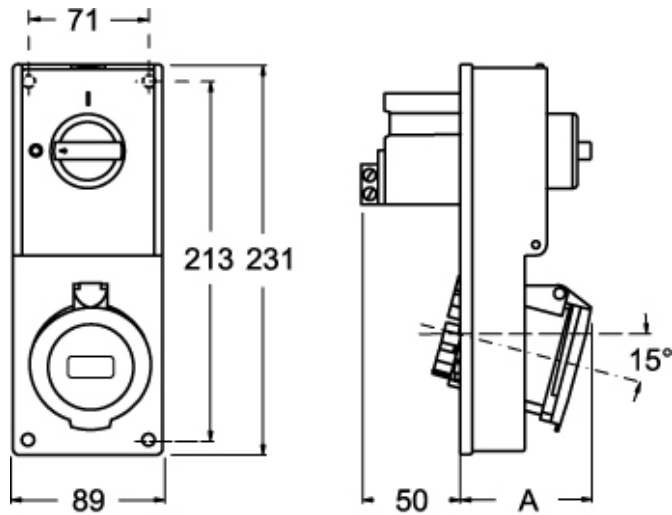
Material properties	
Colour	RAL 7035 grey, RAL 3000 red
RoHs conformity	Compliant with exemption 6(c): copper alloy containing up to 4% lead by weight
China RoHs - EFUP	50
REACH SVHC substances	Yes Lead
SCIP number	Ce861c8d-b979-403b-96d9-80aef6dc281d
Approvals / Standards	
Reference standard	EN 60309-1, -2 e -4
General ordering information	
EAN13 code	8015747085717
Packaging Information	
Packaging length	290,00 mm
Packaging height	250,00 mm
Packaging width	360,00 mm
Packaging weight	5,00 kg
Packaging volume	26,10 dm ³
Packaging description	Carton box
Packaging quantity	9 Pcs
Packaging EAN code	8015747085724
Sub-packaging weight	0,56 kg
Sub-packaging description	Plastic packaging
Sub-packaging quantity	1 Pcs
Sub-packaging EAN barcode	8015747085731

Part number

SQE 1664



Catalogue drawings



Catalogue drawings



SQE		A
16A	2P+⊕	64
	3P+⊕	65
	3P+N+⊕	67

Notes

Dimensions shown in mm are not binding and may be changed without notice.