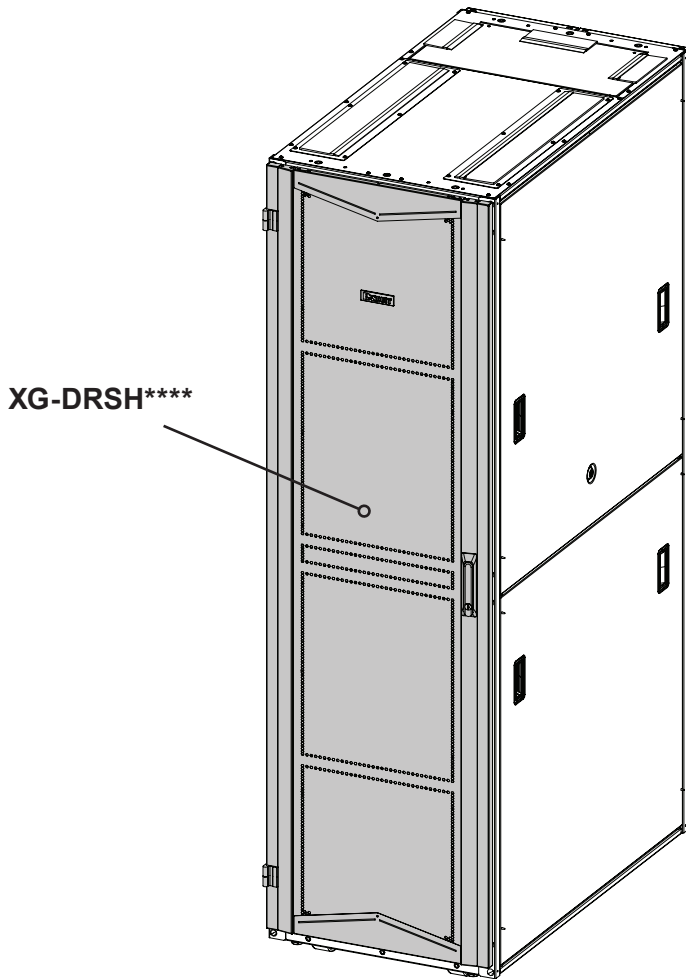


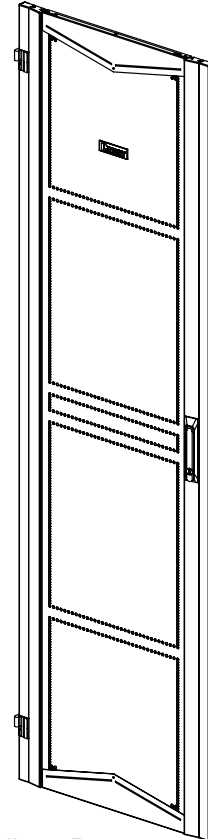
Tool List:



- T25 Torx

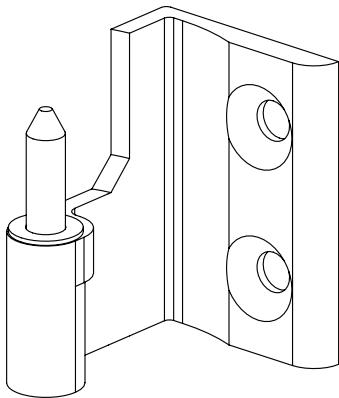


XG-DRSH****

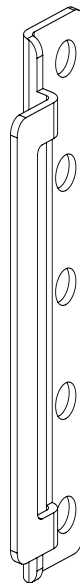


Single Hinge Door
qty. 1

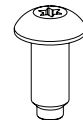
Components Included:



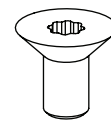
Door Hinge
qty. 2



Door Catch
qty. 1



M5x0.8 x 12mm button head
T25 Torx screw
qty. 2

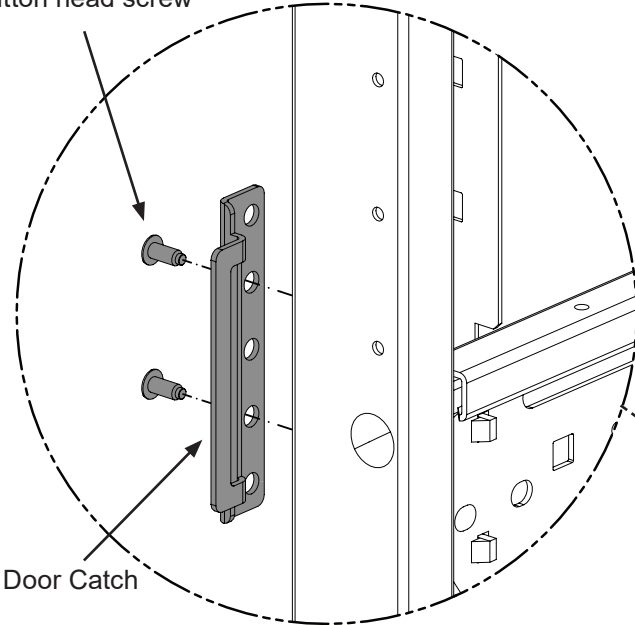


M6x1 x 12mm flat head
T25 Torx screw
qty. 4

Install Hinges & Door Catch to frame

- Install (2) Hinges with (2) M6 screws to the cabinet frame. Secure to the 1st & 3rd holes from the top of hole array as shown.
- Install Door catch using (2) M5 x 0.8 x 12mm button head screws.
- Position Door Catch to inner right side of cabinet vertical frame. Mounting locations vary depending on cabinet height. See images below.

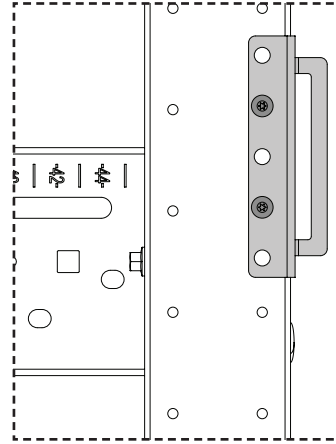
(2) M5x0.8 x 12mm
button head screw



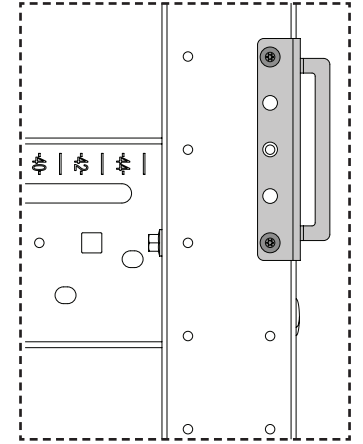
Door Catch

Right side of front of cabinet
Align Catch to the Door Cam

Door Catch & screw locations
for 42RU & 48RU

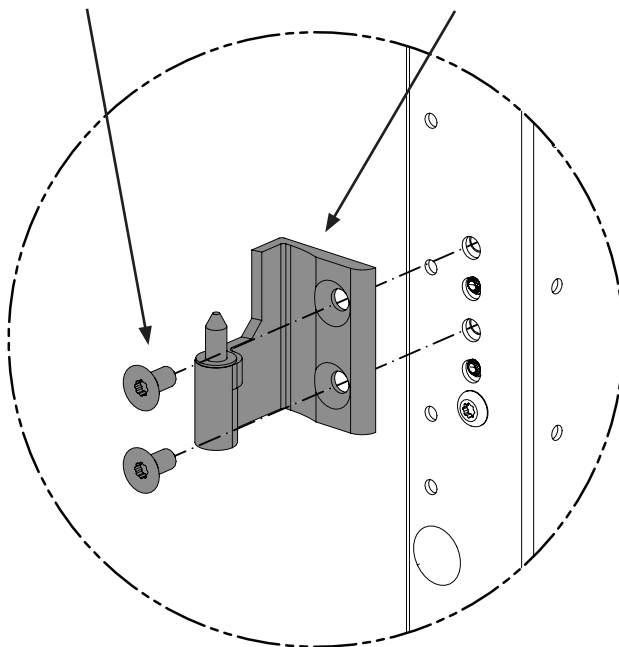


Door Catch & screw locations
for 45RU & 51RU

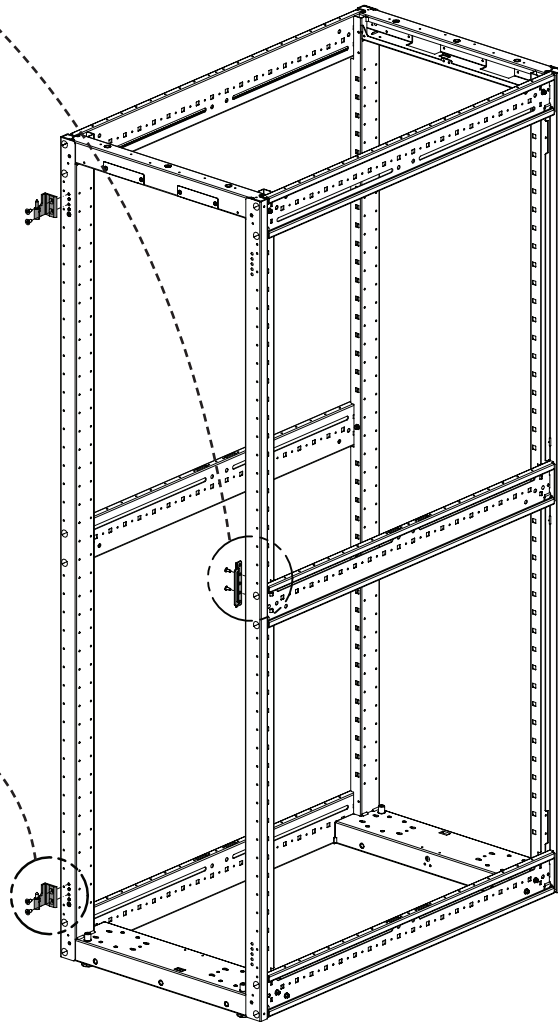


(2) M6x1 x 12mm
flat head screw

Door Hinge

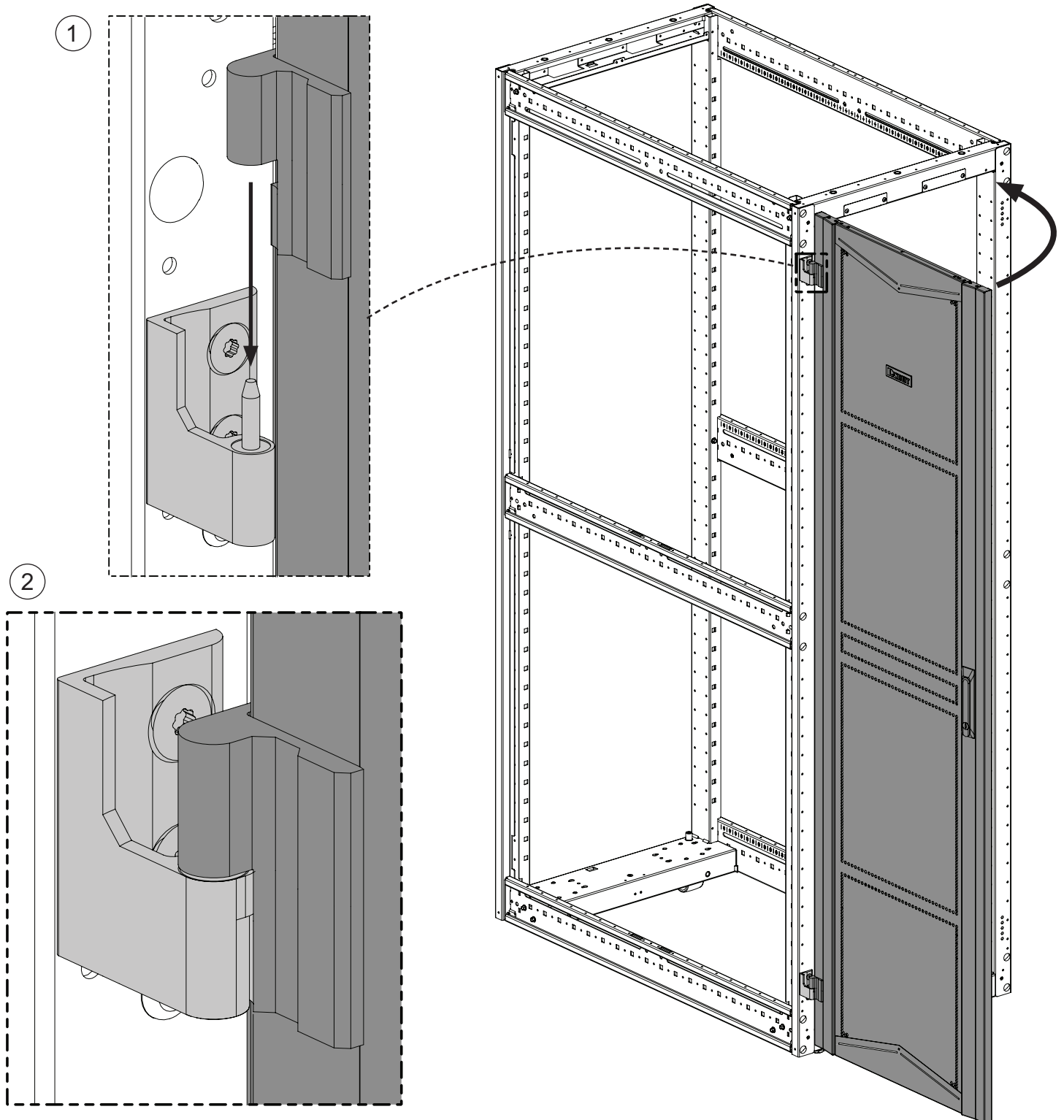


Left side of front of cabinet
(1) top Hinge & (1) bottom hinge



Single Hinge Door (Installation and Removal)

- Position Door at approximately 90° to cabinet.
- Place Door onto hinges, aligning top hinge pin first.
- Position Door at approximately 90° to cabinet and lift up to remove Door.



For Instructions in Local Languages
and Technical Support:

www.panduit.com/resources/install_maintain.asp

PANDUIT
www.panduit.com

E-mail:
techsupport@panduit.com

Phone:
866-405-6654