



UE410-MU4T5

Flexi Classic

SAFETY CONTROLLERS

SICK
Sensor Intelligence.



Illustration may differ



Ordering information

Inputs	Number of muting sensors	Outputs	Delay time (outputs Q3/Q4)	Connection type	Type	Part no.
4 safety inputs 4 switching inputs	0 / 2	4 safety outputs 2 test outputs	0 s ... 5 s	Plug-in spring terminals	UE410-MU4T5	6032669

Other models and accessories → www.sick.com/Flexi_Classic

Detailed technical data

Features

Module	Main module
Configuration method	Via rotary switch

Safety-related parameters

Safety integrity level	SIL 3 (IEC 61508)
Category	Category 4 (EN ISO 13849)
Performance level	PL e (EN ISO 13849)
PFH_D (mean probability of a dangerous failure per hour)	2.5×10^{-9} (EN ISO 13849)
T_M (mission time)	20 years (EN ISO 13849)

Functions

Restart interlock	Manual / automatic (configurable)
External device monitoring (EDM)	✓
AND operation	✓
OR operation	✓
Bypass	✓
Differentiation between man and material (muting)	✓

Interfaces

Inputs	4 safety inputs 4 switching inputs
Number of muting sensors	0 / 2
Outputs	4 safety outputs 2 test outputs
Delay time (outputs Q3/Q4)	0 s ... 5 s
Connection type	Plug-in spring terminals

Display elements	LEDs
-------------------------	------

Electrical data

Protection class	III (EN 61140)
Type of voltage supply	PELV or SELV ¹⁾
Supply voltage V_S	24 V DC (19.2 V DC ... 30 V DC)
Residual ripple	≤ 10 %
Power consumption	≤ 3 W (DC)
Switch-on time	≤ 60 s
Internal power consumption	≤ 3 W (DC)

¹⁾ The current of the power supply that powers the main unit must be limited to a maximum of 4 A, either through the power supply itself or a fuse.

Mechanical data

Dimensions (W x H x D)	22.5 mm x 96.5 mm x 120.8 mm
Weight	+ 180 g

Ambient data

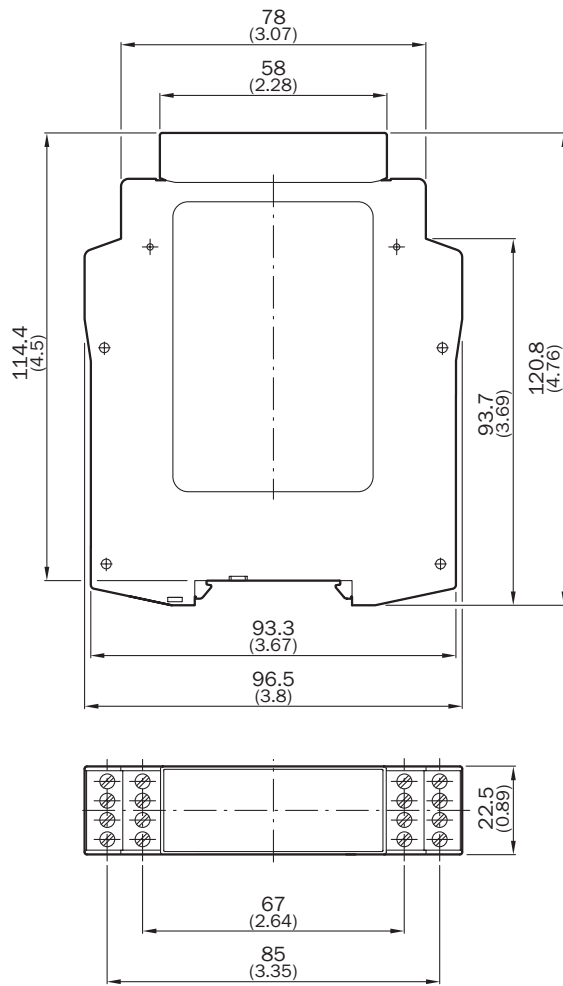
Enclosure rating	Housing	IP40 (EN 60529)
	Terminals	IP20 (EN 60529)
Ambient operating temperature	-25 °C ... +55 °C	
Storage temperature	-25 °C ... +70 °C	
Air humidity	≤ 95 %, Non-condensing	
Climate conditions according to	EN 61131-2 (55 °C ambient operating temperature, 95% rel. humidity)	
Electromagnetic compatibility (EMC)	Class A (EN 61000-6-2, EN 55011)	
Vibration resistance	5 g RMS, 5 Hz ... 500 Hz (EN 60068-2-64)	

Classifications

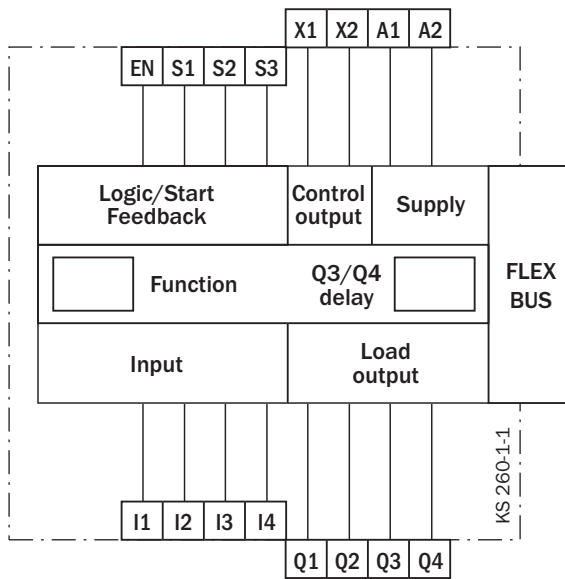
eCl@ss 5.0	27243001
eCl@ss 5.1.4	27243101
eCl@ss 6.0	27243101
eCl@ss 6.2	27243101
eCl@ss 7.0	27243101
eCl@ss 8.0	27243101
eCl@ss 8.1	27243101
eCl@ss 9.0	27243101
eCl@ss 10.0	27243101
eCl@ss 11.0	27243101
eCl@ss 12.0	27243101
ETIM 5.0	EC001449
ETIM 6.0	EC001449
ETIM 7.0	EC001449
ETIM 8.0	EC001449
UNSPSC 16.0901	32151705

Dimensional drawing (Dimensions in mm (inch))

Flexi Classic main module



Connection diagram



SICK AT A GLANCE

SICK is one of the leading manufacturers of intelligent sensors and sensor solutions for industrial applications. A unique range of products and services creates the perfect basis for controlling processes securely and efficiently, protecting individuals from accidents and preventing damage to the environment.

We have extensive experience in a wide range of industries and understand their processes and requirements. With intelligent sensors, we can deliver exactly what our customers need. In application centers in Europe, Asia and North America, system solutions are tested and optimized in accordance with customer specifications. All this makes us a reliable supplier and development partner.

Comprehensive services complete our offering: SICK LifeTime Services provide support throughout the machine life cycle and ensure safety and productivity.

For us, that is “Sensor Intelligence.”

WORLDWIDE PRESENCE:

Contacts and other locations –www.sick.com