



Product designation				Adjustable roller lever
Product type designation				KMF
General characteristics				
Material	Housing		Aluminium-zinc alloy	
	Roller		Metal	
Contact characteristics				
Type of contact			1NO+1NC Slow action make before break	
Thermal current I _{th}	A		10	
IEC/EN 60947-5-1 designation			A300 Q300	
Rated insulation voltage U _i	V		440	
Rated impulse withstand voltage U _{imp}	kV		4	
Short-circuit protection with fuse	Class/A		10 gG/SC QUICK FUSE	
Switching speed	min	m/s	0.5	
	max	m/s	1.5	
IEC Conventional free air thermal current I _{th}	A		10	
Resistance per pole (average value)	mΩ		<10	
Mechanical features				
Operating head fixing				Locking bayonet insert
Operating torque	Ncm		3	
	ozin		4.25	
Tightening torque (Max)				
Switch fixing	Nm		2.5	
	lbin		22.1	
Contact terminals	Nm		0.8	
	lbin		7	
Body lid screw fixing	Nm		0.8	
	lbin		7	
Conductor section	AWG/Kcmil			
	min	16		
	max	14		
	IEC			
	min	mm ²	1 or 2	
	max	mm ²	2.5	

Cable connection	Self-releasing screw terminal
Cable entry	M20 on the bottom

Operations

Mechanical life	cycles	<10000000
Mechanical operation	cycles/h	3600

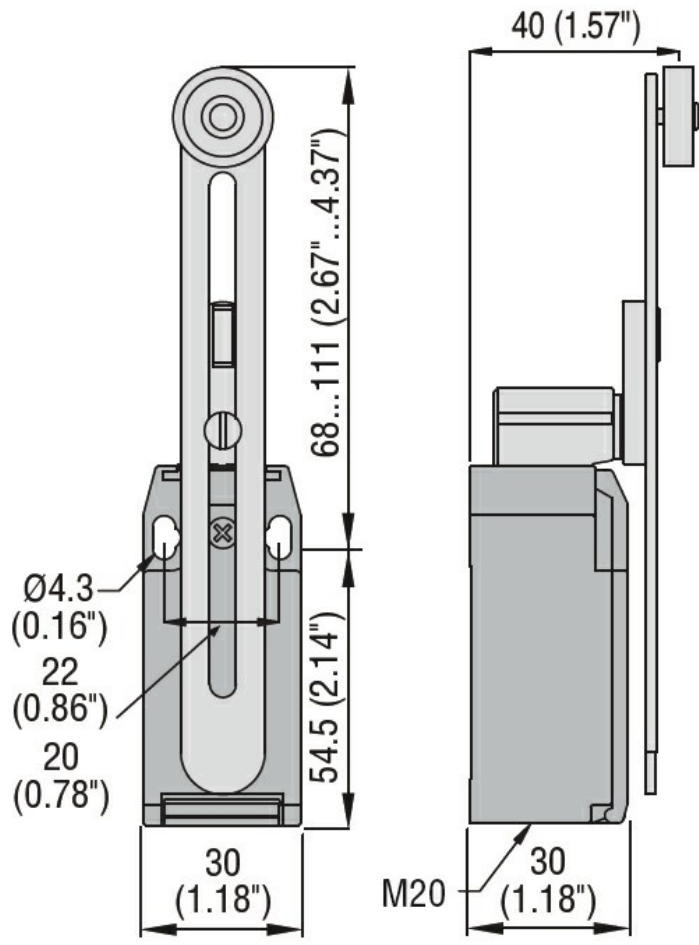
Ambient conditions

Temperature	Operating temperature	min	°C	-25
		max	°C	+70
	Storage temperature	min	°C	-40
		max	°C	+70

Resistance & Protection

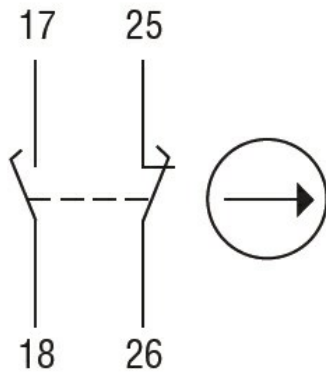
IP degree	Terminals	IP20
	Body housing	IP65
Pollution degree		3

Dimensions



Wiring diagrams

Slow action



1NO + 1NC
make before break

Certifications and compliance

Compliance

CSA C22.2 n° 14

EN 50047

IEC/EN 60204-1

IEC/EN 60947-1

IEC/EN 60947-5-1

UL508

Certificates

CCC

cULus

EAC

ETIM classification

ETIM 8.0

EC000030 - End
switch