



# CDB620-001

Connection Device Basic

4DPROCONNECTIVITY

**SICK**  
Sensor Intelligence.



### Ordering information

Type	Part no.
CDB620-001	1042256

Other models and accessories → [www.sick.com/Connection\\_Device\\_Basic](http://www.sick.com/Connection_Device_Basic)



### Detailed technical data

#### Features

<b>Brief description</b>	Small connection module for one sensor, 4 cable glands, base for CMC600
<b>Supported products</b>	CLV61x - CLV65x Lector62x RFH6xx RFU62x
<b>Cloning module support (CMC)</b>	Yes
<b>Supports display module (CMD)</b>	No
<b>Supports power supply module (CMP)</b>	No
<b>Supports fieldbus gateway (CMF)</b>	No

#### Mechanics/electronics

<b>Supply voltage</b>	(10 V DC ... 30 V DC) <sup>1)</sup>
<b>Power consumption</b>	1 W
<b>Housing</b>	Polycarbonate
<b>Housing color</b>	Blue (RAL 5012)
<b>Enclosure rating</b>	IP65
<b>Protection class</b>	III
<b>Weight</b>	260 g
<b>Dimensions (L x W x H)</b>	124.2 mm x 113.1 mm x 53.9 mm
<b>Scanner connection</b>	15-pin D-Sub HD female connector
<b>Service plug</b>	9-pin D-Sub plug (internal)

<sup>1)</sup> Supply voltage of the connected scanner + 1 V.

#### Interfaces

<b>Serial</b>	✓, RS-232, RS-422, RS-485
Remark	Depending on sensor connected
<b>CAN</b>	✓
Remark	Depending on sensor connected
<b>Digital inputs</b>	Depending on sensor connected
<b>Digital outputs</b>	Depending on sensor connected

<b>Optical indicators</b>	9 LED
<b>Configuration software</b>	SOPAS ET

### Ambient data

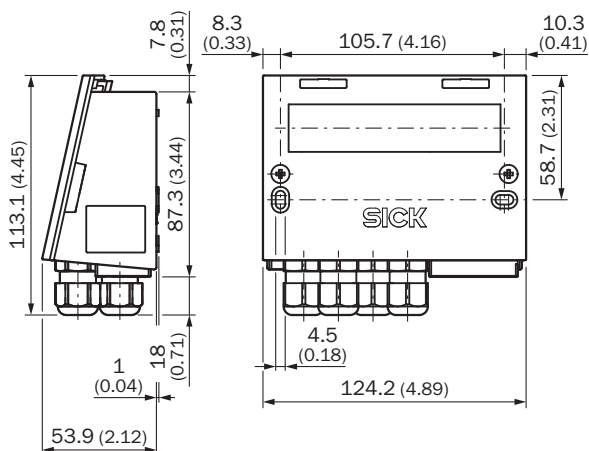
<b>Ambient operating temperature</b>	-35 °C ... +40 °C
<b>Storage temperature</b>	-35 °C ... +70 °C
<b>Permissible relative humidity</b>	≤ 90 %, Non-condensing

### Classifications

<b>eCl@ss 5.0</b>	27242208
<b>eCl@ss 5.1.4</b>	27242608
<b>eCl@ss 6.0</b>	27242608
<b>eCl@ss 6.2</b>	27242608
<b>eCl@ss 7.0</b>	27242608
<b>eCl@ss 8.0</b>	27242608
<b>eCl@ss 8.1</b>	27242608
<b>eCl@ss 9.0</b>	27242608
<b>eCl@ss 10.0</b>	27242608
<b>eCl@ss 11.0</b>	27242608
<b>eCl@ss 12.0</b>	27242608
<b>ETIM 5.0</b>	EC001604
<b>ETIM 6.0</b>	EC001604
<b>ETIM 7.0</b>	EC001604
<b>ETIM 8.0</b>	EC001604
<b>UNSPSC 16.0901</b>	32151705



### Dimensional drawing (Dimensions in mm (inch))

CDB620



### Recommended accessories

Other models and accessories → [www.sick.com/Connection\\_Device\\_Basic](http://www.sick.com/Connection_Device_Basic)

	Brief description	Type	Part no.
Cloning module			
	External parameter memory for integration in CDB620/CDB650/CDM42x	CMC600-101	1042259
Plug connectors and cables			
	Head A: female connector, M12, 17-pin, straight Head B: male connector, D-Sub-HD, 15-pin, straight Cable: Power, serial, CAN, digital I/Os, shielded, 3 m	YF2Z1D-030XXMH DAC	2055420

## SICK AT A GLANCE

SICK is one of the leading manufacturers of intelligent sensors and sensor solutions for industrial applications. A unique range of products and services creates the perfect basis for controlling processes securely and efficiently, protecting individuals from accidents and preventing damage to the environment.

We have extensive experience in a wide range of industries and understand their processes and requirements. With intelligent sensors, we can deliver exactly what our customers need. In application centers in Europe, Asia and North America, system solutions are tested and optimized in accordance with customer specifications. All this makes us a reliable supplier and development partner.

Comprehensive services complete our offering: SICK LifeTime Services provide support throughout the machine life cycle and ensure safety and productivity.

For us, that is “Sensor Intelligence.”

## WORLDWIDE PRESENCE:

Contacts and other locations –[www.sick.com](http://www.sick.com)