



Signal beacons  
Ø62mm/2.44"  
8LB6GL

Product designation

Product type designation

**General characteristics**

Diameter	mm - inch	62 / 2.44
Supply voltage (AC)	V	12...48
Supply voltage (DC)	V	12...48
Colour		Orange
IEC degree of protection		IP54

**Mechanical features**

Tightening torque for terminals max	Nm	0.5
Terminals screw		Screw clamp terminals

Conductor section

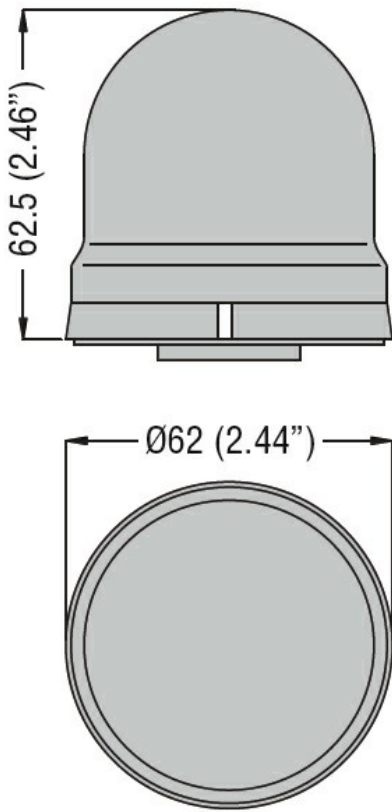
AWG/Kcmil	max		16
IEC	max	mm <sup>2</sup>	1.5
Weight		g	60

**Ambient conditions**

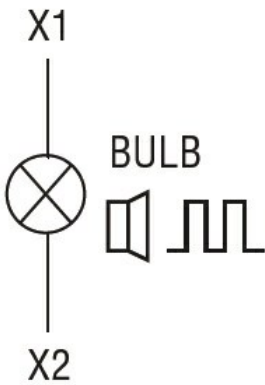
Temperature

Operating temperature	min	°C	-20
	max	°C	+50

**Dimensions**



Wiring diagrams



Certifications and compliance

Compliance

IEC/EN 60947-1  
 IEC/EN 60947-5-1

Certificates

EAC

ETIM classification

ETIM 8.0

EC000232 -  
 Optical module  
 for signal tower