



Product designation

Product type designation

Auxiliary supply voltage

Number of inputs

Number of outputs

Max I/O number

Starter kit complete with LRD12RA240 base module, LRXSW software and LRXC03 cable  
LRDKIT10RA240  
100...240VAC  
Nr. 6 digital  
Nr. 4 relay  
10 (6 inputs + 4 outputs) up to 34 with LRE modules

**Power supply**

Rated auxil. supply voltage		100...240VAC
Operating voltage range		85...265VAC
Operating frequency range	Hz	47...63
Average current consumption	mA	100
Power consumption Max	W	7.5

**Digital inputs**

Number of digital input	Nr.	6
Rated voltage	V	100-240VAC (50/60Hz)
Input signals	State 0 (OFF) State 1 (ON)	<40VAC >79VAC

Response time	0 to 1 (OFF-ON)	50/45ms (Ue=120VAC); 22/18ms (Ue=240VAC)
	1 to 0 (ON-OFF)	50/45ms (Ue=120VAC); 90/85ms (Ue=240VAC)

**Digital outputs**

Number of digital output type	Nr.	4 Relay
-------------------------------	-----	------------

**System resources**

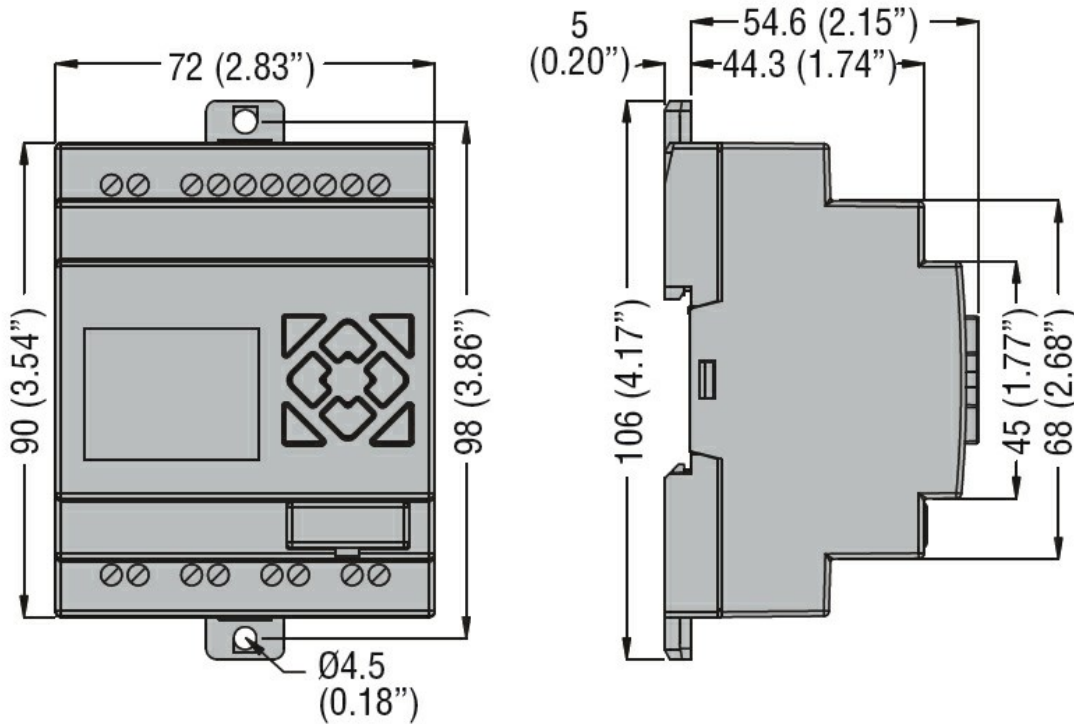
Display		LCD display, 4 lines x 16 characters
---------	--	--------------------------------------

**Connections**

Terminals type		Screw
Tightening torque for terminals		

		max	Nm	0.6
		Max	lbft	0.4
Conductor section	AWG/Kcmil	min		26
		max		14
	IEC	min	mm <sup>2</sup>	0.14
		max	mm <sup>2</sup>	2.5
<b>Ambient conditions</b>				
Temperature	Operating temperature	min	°C	-20
		max	°C	+55
	Storage temperature	min	°C	-40
		max	°C	+70
Relative humidity			%	20...90% without condensation
<b>Housing</b>				
Mounting				35mm DIN rail or screw fixing (M4x20mm)
Degree of protection				IP20
Dimensions (W x H x D)		mm		72 x 106 x 59.6
Weight			g	424

**Dimensions**



**Certifications and compliance**

Compliance

CSA C22.2 n° 142

IEC/EN 61131-2

UL508

---

Certificates

cULus

---

EAC

ETIM classification

ETIM 8.0

EC002581 - PLC  
device set