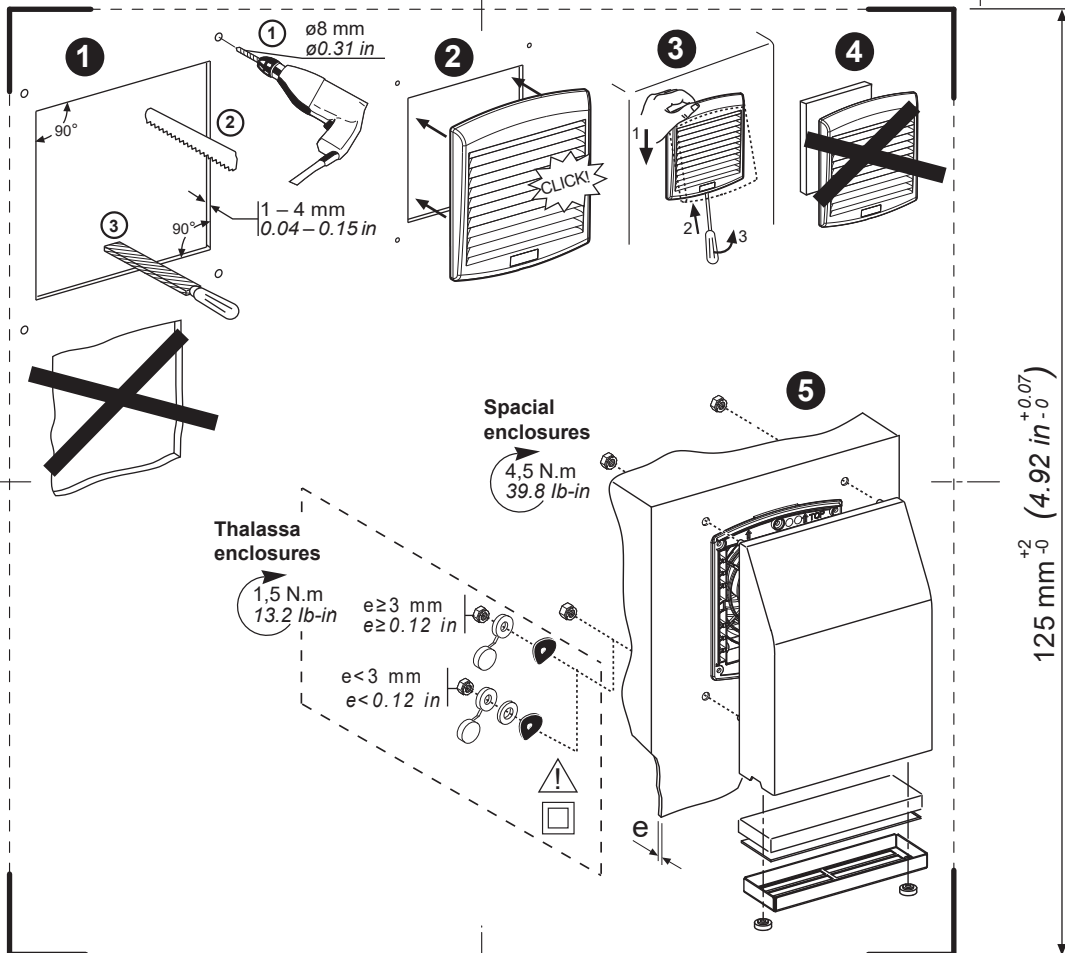


Ø8 mm  
Ø0.31 in

125 mm<sup>+2</sup><sub>-0</sub> (4.92 in<sup>+0.07</sup><sub>-0</sub>)



7364970011-01