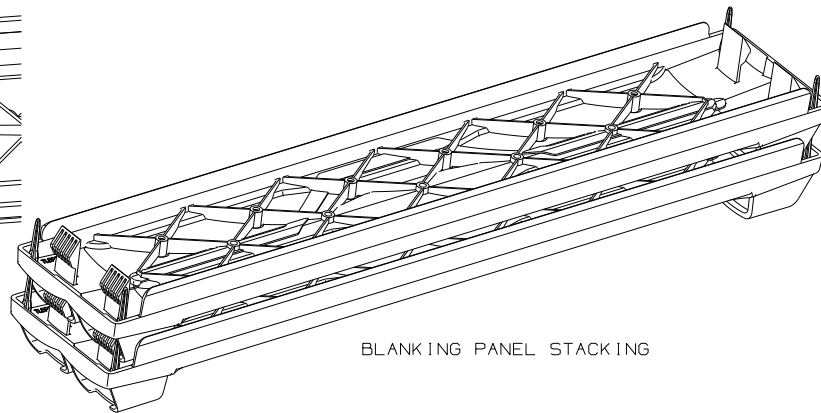
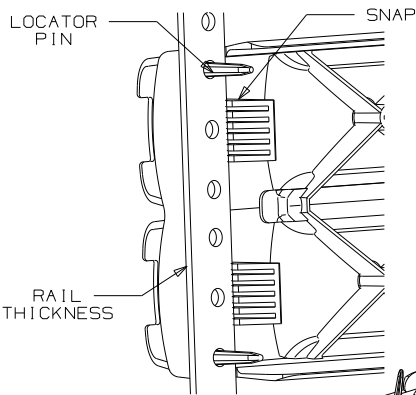
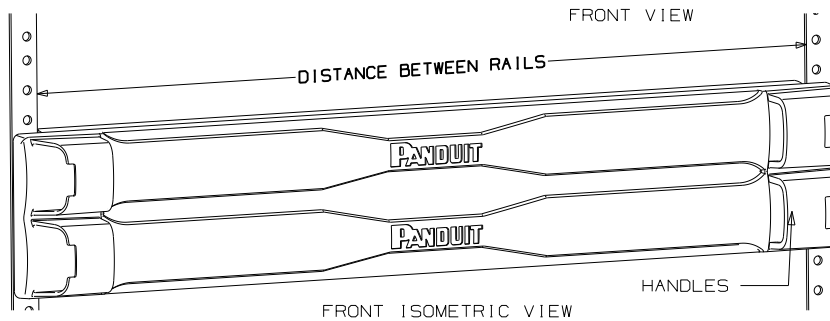
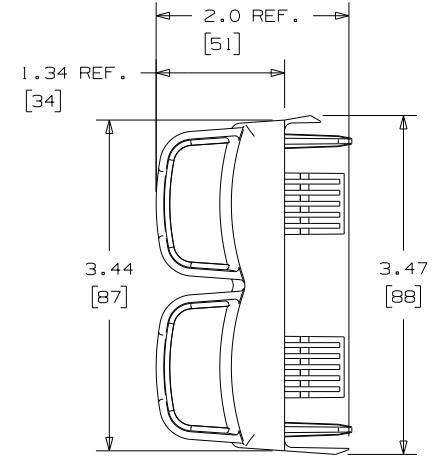
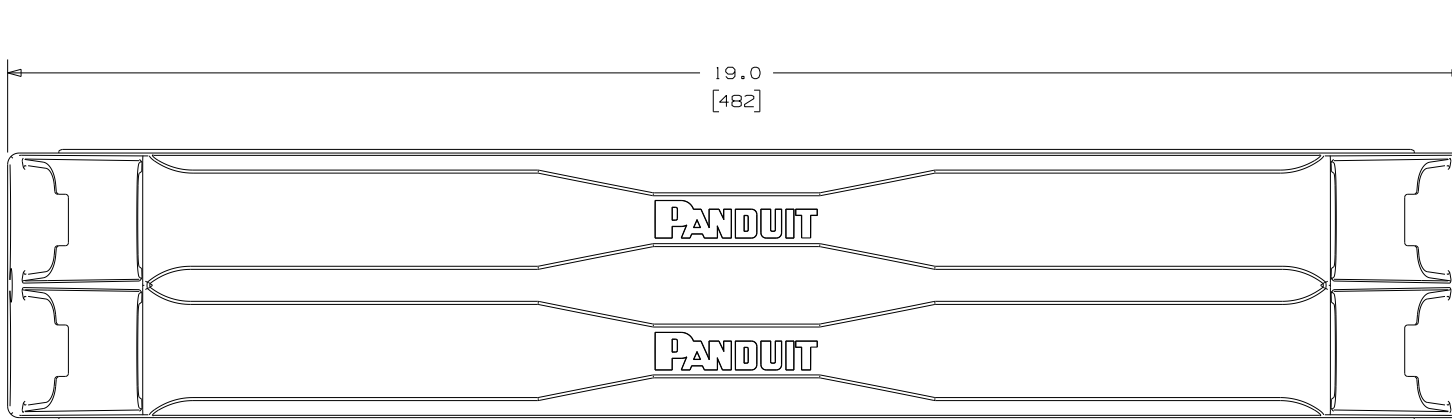


THIS COPY IS PROVIDED ON A RESTRICTED BASIS AND IS NOT TO BE USED IN ANY WAY DETRIMENTAL TO THE INTERESTS OF PANDUIT CORP.



NOTES:

- TOOL-LESS BLANKING PANEL TO BE USED IN CEA 310-E COMPLIANT 19" RACKS OR CABINETS.
- BEST IF INSTALLED UNDER THE FOLLOWING CONDITIONS:
  - DISTANCE BETWEEN RAILS: 17.72" - 17.88"
  - RAIL THICKNESS RANGE: .07" - .12"
- INSTALL THE BLANKING PANEL BY ALIGNING THE LOCATING PINS WITH MOUNTING HOLES AND PUSHING IT TOWARDS THE MOUNTING RAILS.
- VERIFY THAT THE PANEL IS CORRECTLY LOCATED IN A TWO RACK UNIT SPACE OF THE RACK OR CABINET. THE BACK FACE OF THE BLANKING PANELS MUST BE TOUCHING THE FACE OF THE RAILS.
- REMOVE THE BLANKING PANEL FROM THE MOUNTING RAILS BY PULLING FROM THE HANDLES LOCATED ON EACH SIDE OF THE PANEL.
- BLANKING PANELS CAN BE STACKED AS SHOWN FOR STORAGE.
- SEE CURRENT PRICE SHEET FOR PART NUMBER SUFFIX DESIGNATION FOR PACKAGING SIZE AND PRODUCT COLOR.

CAD FILENAME/LAYERS G03634D1\_DC\_GB3634D1/O8A

PANDUIT CORP. TINLEY PARK, ILLINOIS

TLBP2R  
TOOL-LESS 2U BLANKING PANEL  
FOR ROUND HOLES

UNLESS OTHERWISE SPECIFIED,  
DIMENSIONAL TOLERANCES ARE:  
(.X) ± .1 (.XXX) ± .005  
(.XX) ± .03 ANGLES ± 1°

UNLESS OTHERWISE SPECIFIED,  
ALL DIMENSIONS ARE GIVEN  
IN INCHES, THIRD ANGLE PROJECTION.

O8A	10/27/10	CR-MBA	DJW	NEW RELEASE	GB3634D1	O8A	KLN			
REV	DATE	BY	CHK	DESCRIPTION	ECN	R	CUST	SUP	OC	

DRAWN BY CR-MBA	MAT'L; BLACK ABS	SCALE NONE
DATE 10/27/10		DRAWING NO. GB3634D1
CHK'D KLN		DWG A SIZE