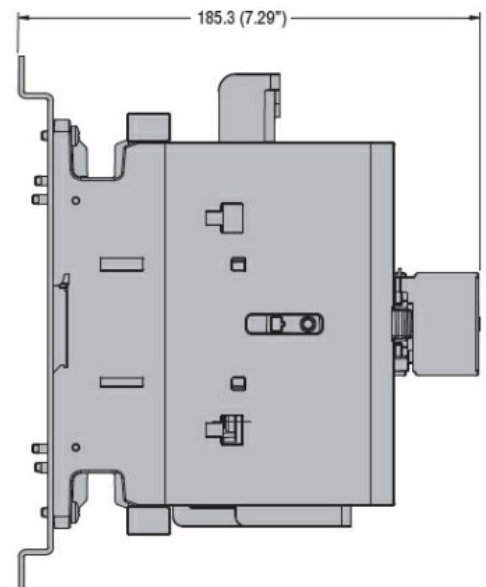
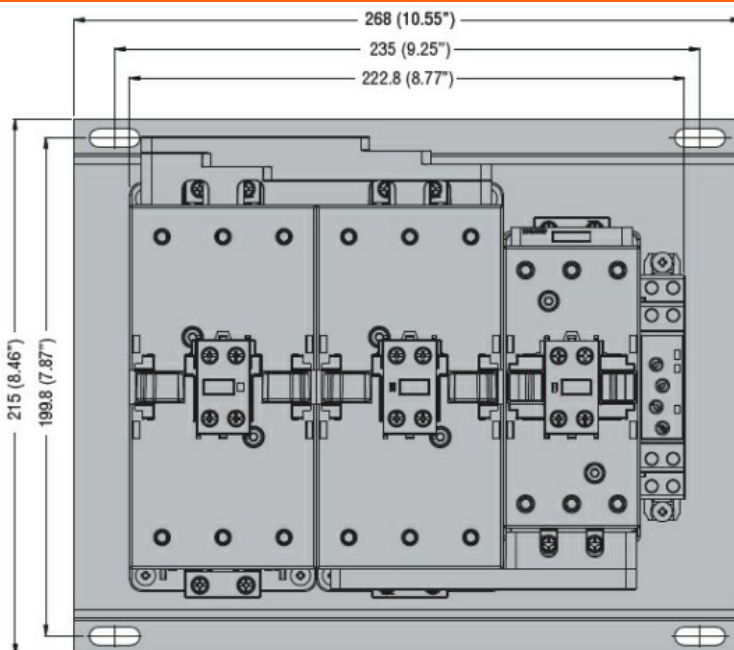
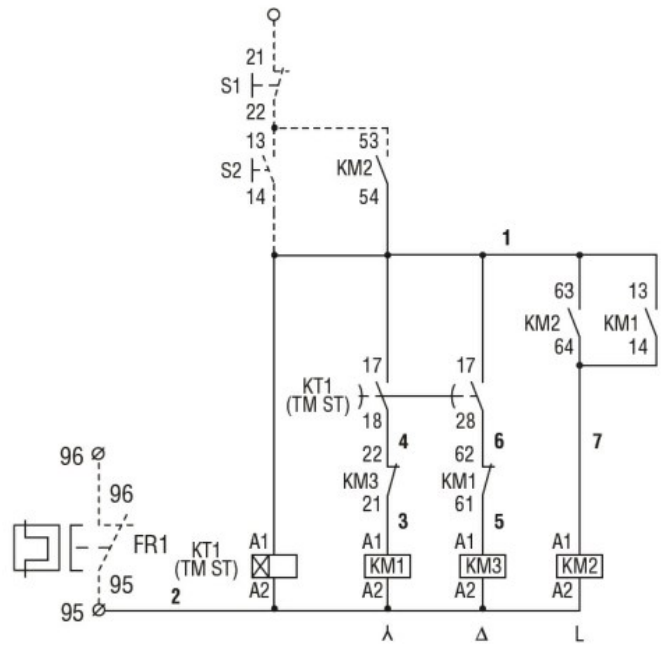
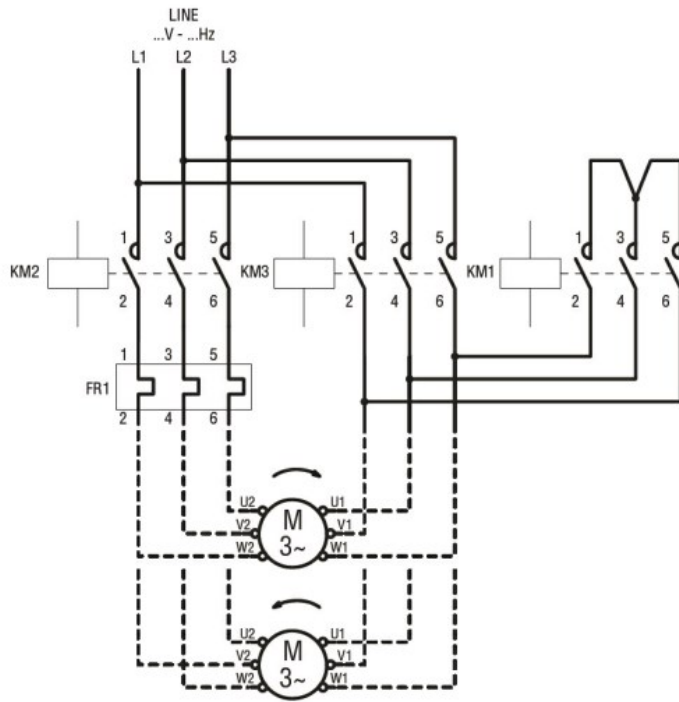




Product designation	Star-delta starter		
Product type designation	BFA095		
Electrical features			
Maximum operating current ($\leq 440V$)	A	160	
Components			
Contactor standard supplied	BF9500A / BF9500A / BF6500A		
Thermal relay standard supplied	No		
Thermal relay to purchase separately	RF110		
Auxiliary contact standard supplied	BFX1020 / BFX1011 / BFX1011		
Contact characteristics			
IEC standard motor powers			
	230V	kW	45
	400V	kW	90
	440V	kW	90
	500V	kW	110
Mechanical features			
Weight	g	6900	
Dimensions			



Wiring diagrams



Certifications and compliance

Compliance

IEC/EN 60947-1
IEC/EN 60947-4-1

Certificates

/

ETIM classification

ETIM 8.0

EC001037 -
Motor
starter/Motor
starter
combination