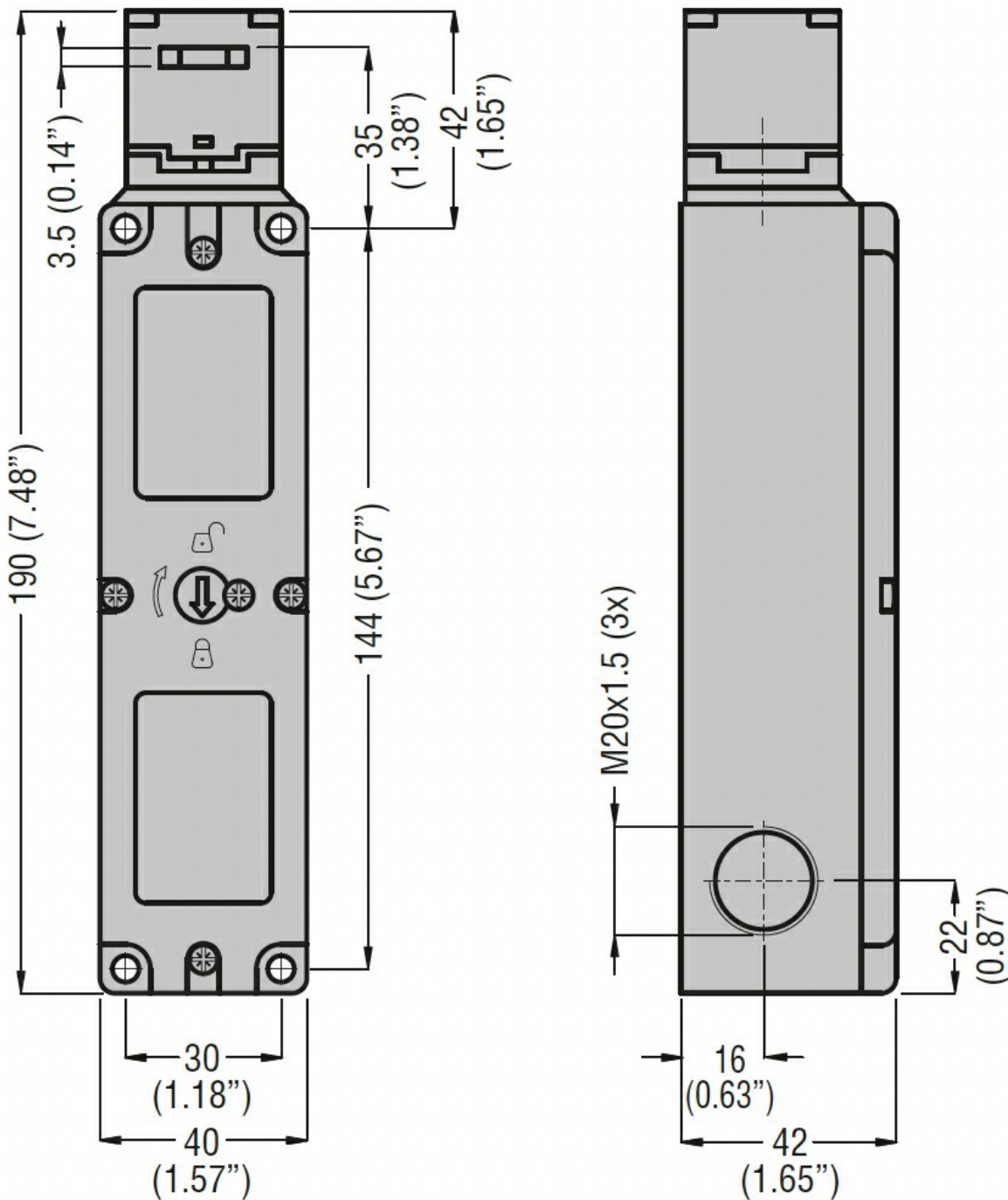




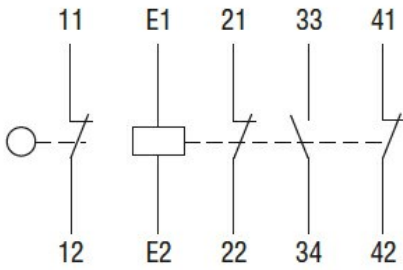
| | | | |
|---|-------------------------------------|---|--------|
| Product designation | Safety switches with solenoid | | |
| Product type designation | KEN1 | | |
| General characteristics | | | |
| General characteristics | | | |
| Housing Material | Polymer thermoplastic | | |
| Contact characteristics | | | |
| Type of contact | 1NC (Key), 2NC+1NO (Solenoid) | | |
| Thermal current I _{th} | A | 10 | |
| IEC/EN 60947-5-1 designation | A300 Q300 | | |
| Rated insulation voltage U _i | V | 250 | |
| Rated impulse withstand voltage U _{imp} | kV | 2.5 | |
| Short-circuit protection with fuse | Class/A | 10 gG | |
| IEC Conventional free air thermal current I _{th} | A | 10 | |
| Operations | | | |
| Mechanical life | cycles | 1000000 | |
| B10d | cycles | 4000000 | |
| Mechanical operation | cycles/h | 600 | |
| Output characteristics | | | |
| Mechanical life | cycles | 1000000 | |
| Mechanical features | | | |
| Operating head fixing | Screwed | | |
| Operating torque | N | 15 (actuator insertion), 30 (Release actuator extraction), 1200 (locked actuator holding) | |
| Tightening torque (Max) | | | |
| Switch fixing | Nm | 2.5 | |
| Contact terminals | Nm | 0.8 | |
| Body lid screw fixing | Nm | 0.8 | |
| Conductor section | | | |
| IEC | min | mm ² | 1 or 2 |
| | max | mm ² | 1.5 |
| Cable connection | Self-releasing screw terminal | | |
| Cable entry | 3 x M20 | | |

| | | |
|---------------------------|--------|-----|
| Weight | g | 440 |
| Ambient conditions | | |
| Pollution degree | | 3 |
| Temperature | | |
| Operating temperature | max °C | +55 |
| Storage temperature | min °C | -40 |
| | max °C | +70 |

Dimensions



Wiring diagrams



Certifications and compliance

Compliance

CSA C22.2 n°14
IEC/EN 60204
IEC/EN 60947-1
IEC/EN 60947-5-1
UL508
UNI EN ISO 14119

Certificates

cULus
EAC

ETIM classification

ETIM 8.0

EC000030 - End
switch