

Part number

MVP 06 LSP20



Surface mounting housing, V-TYPE series, with 1 lever, M20 cable entry, size "44.27", with SIMPLEX self-closing cover

Product description

| | |
|----------------------|---------------------------------|
| Product type | Surface mounting housing |
| Series | V-TYPE |
| Closing type | With 1 lever |
| Size | Size 44.27 |
| Cable entry | With cable entry M20 |
| Specification | With SIMPLEX self-closing cover |

Technical data

IP degree of protection IP65

Further technical details

| | |
|-----------------------------------------------|----------------|
| Weight | 253,00 g |
| Operating temperature range (min, max) | -40°C...+125°C |

Material properties

| | |
|------------------------------|---------------------------------------|
| Other materials | Lever: Stainless steel Gasket: NBR |
| Colour | RAL 7040 grey |
| RoHs conformity | Compliant |
| China RoHs - EFUP | E |
| REACH SVHC substances | No |

Approvals / Standards

| | |
|-----------------------|---------|
| Certifications | DNV, BV |
| UL | ECBT2 |
| cUL | ECBT8 |

General ordering information

| | |
|-------------------|---------------|
| EAN13 code | 8015747229388 |
| eCl@ss 8.1 | 27440202 |
| ETIM 7.0 | EC000437 |

Packaging Information

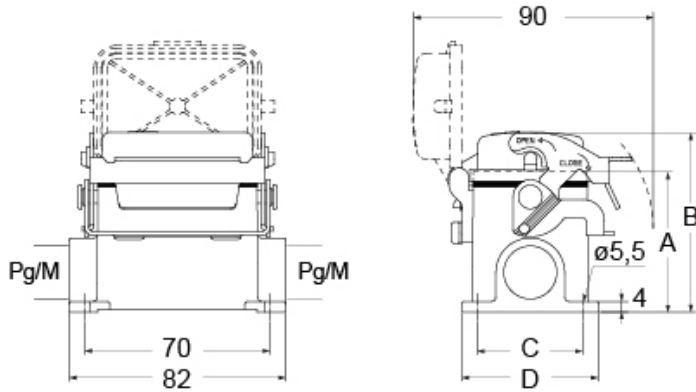
| | |
|----------------------------------|----------------------|
| Packaging length | 190,00 mm |
| Packaging height | 125,00 mm |
| Packaging width | 330,00 mm |
| Packaging weight | 2,53 kg |
| Packaging volume | 7,84 dm ³ |
| Packaging description | Carton box |
| Packaging quantity | 10 Pcs |
| Packaging EAN code | 8015747229487 |
| Sub-packaging weight | 1,27 kg |
| Sub-packaging description | Plastic packaging |
| Sub-packaging quantity | 5 Pcs |
| Sub-packaging EAN barcode | 8015747229494 |

Part number

MVP 06 LSP20



Catalogue drawings



| part No. | A | B | C | D |
|--------------------------|----|----|----|----|
| CVP / MVP 6 LSP | 53 | 68 | 40 | 52 |
| CVAP / MVAP 6 LSP | 74 | 89 | 45 | 57 |

Notes

Dimensions shown in mm are not binding and may be changed without notice.