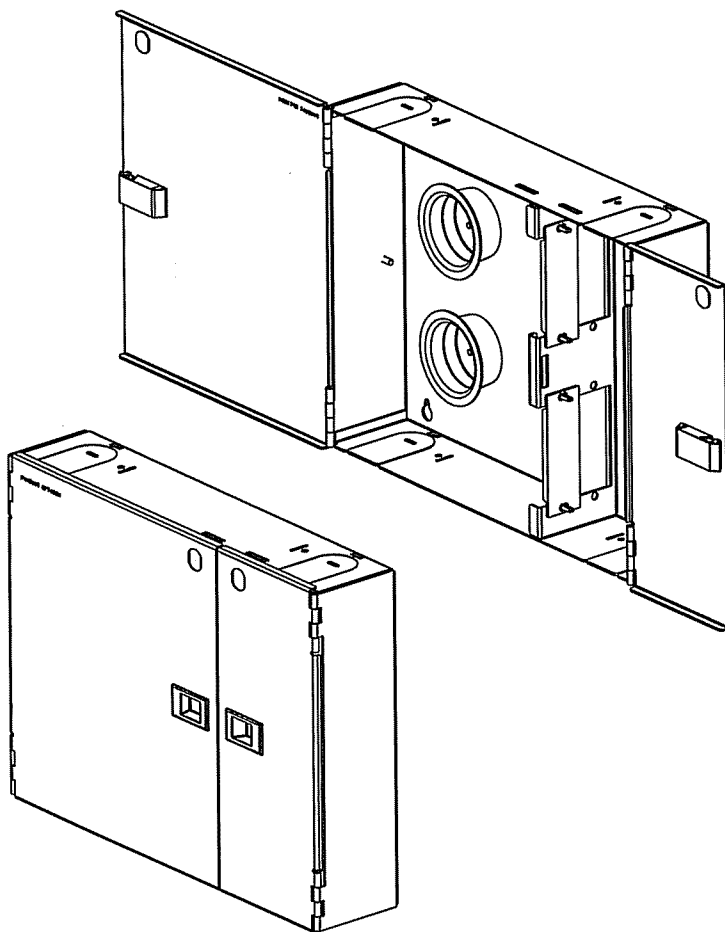


THIS COPY IS PROVIDED ON A RESTRICTED BASIS AND IS NOT TO BE USED IN ANY WAY DETRIMENTAL TO THE INTERESTS OF PANDUIT CORP.



NOTES:

1. SEE CATALOG FOR COMPLETE LIST OF PARTS APPLICABLE FOR USE WITH THIS PART.
2. DIMENSIONS IN PARENTHESES ARE IN METRIC.
3. ENCLOSURE IS FOR WALL MOUNT APPLICATIONS.
4. COMPLETE ENCLOSURE IS MADE FROM 16 GAUGE GALVANNEALED STEEL.
5. ENCLOSURE IS PAINTED BLACK
6. ENCLOSURE IS SUPPLIED WITH:
  - 1- WALL MOUNT KIT
  - 2- PORT I.D. LABELS

PANDUIT P/N	WEIGHT
FWME4	11.0LB/EA 4989 G/EA

MODEL FILENAME	V10051AB/02-FWME4.PRT
CAD FILENAME/LAYERS	V10051AB_DC/02A.PRT

**PANDUIT** CORP. TINLEY PARK, ILLINOIS

FIBER WALL MOUNT ENCLOSURE, 4 FAP  
(FWME4) CUSTOMER DRAWING

UNLESS OTHERWISE SPECIFIED,  
DIMENSIONAL TOLERANCES ARE:  
(.X) ± (.XXX) ±  
(.XX) ±.03 (.8) ANGLES ±

UNLESS OTHERWISE SPECIFIED,  
ALL DIMENSIONS ARE GIVEN  
IN INCHES, THIRD ANGLE PROJECTION.

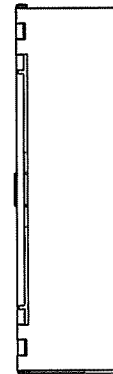
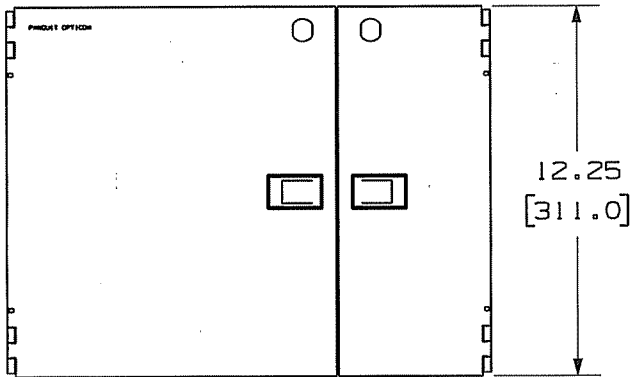
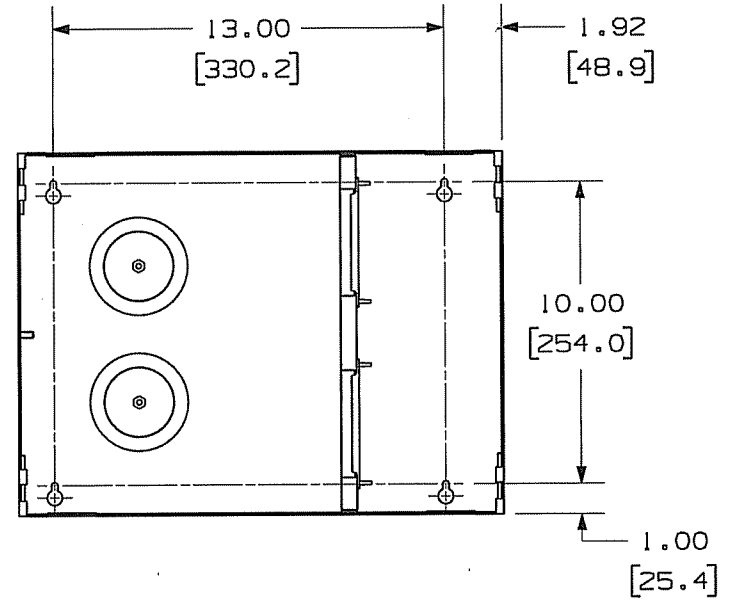
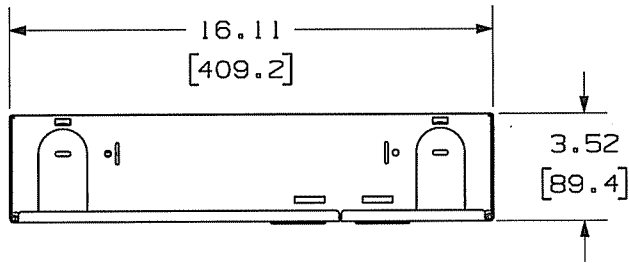
REV	DATE	BY	CHK	DESCRIPTION	ECN	R	CUST	SUP	OTH
01	11-13-09	DAJP	WJM	UPDATED PATCH PANEL	10051-31				
R	1-28-02	JDWE		RELEASED TO PRODUCTION	10051-31				

DRAWN BY  
JDWE  
DATE  
1-28-02  
CHK'D  
WJM

MAT'L:  
SEE NOTES

SCALE 1:6  
DRAWING NO. 10051-31  
SHEET 1 OF 2  
DWG A  
SIZE

THIS COPY IS PROVIDED ON A RESTRICTED BASIS AND IS NOT TO BE USED IN ANY WAY DETRIMENTAL TO THE INTERESTS OF PANDUIT CORP.



MOUNTING HOLE DIMENSIONS  
VIEW SHOWN WITH COVER REMOVED

MODEL FILENAME		VI0051AB/02-FWME4.PRT	
CAD FILENAME/LAYERS		VI0051AB_DC/02A.PRT	
<h1>PANDUIT</h1> CORP. TINLEY PARK, ILLINOIS			
FIBER WALL MOUNT ENCLOSURE, 4 FAP (FWME4) CUSTOMER DRAWING			
UNLESS OTHERWISE SPECIFIED, DIMENSIONAL TOLERANCES ARE:		UNLESS OTHERWISE SPECIFIED, ALL DIMENSIONS ARE GIVEN IN INCHES, THIRD ANGLE PROJECTION.	
(.) ±		(.XXX) ±	
(.XX) ± .03 (.8)		ANGLES ±	
DRAWN BY JDWE	MAT'L:	SCALE 1:6	
DATE 1-28-02	SEE NOTES	DRAWING NO.	DRG
CHK'D WJM		10051-31	A
		SHEET 2 OF 2	SIZE

				SEE SHEET 1 OF 2 FOR REVISIONS					
REV	DATE	BY	CHK	DESCRIPTION	ECN	R	CUST	SUP	OTH