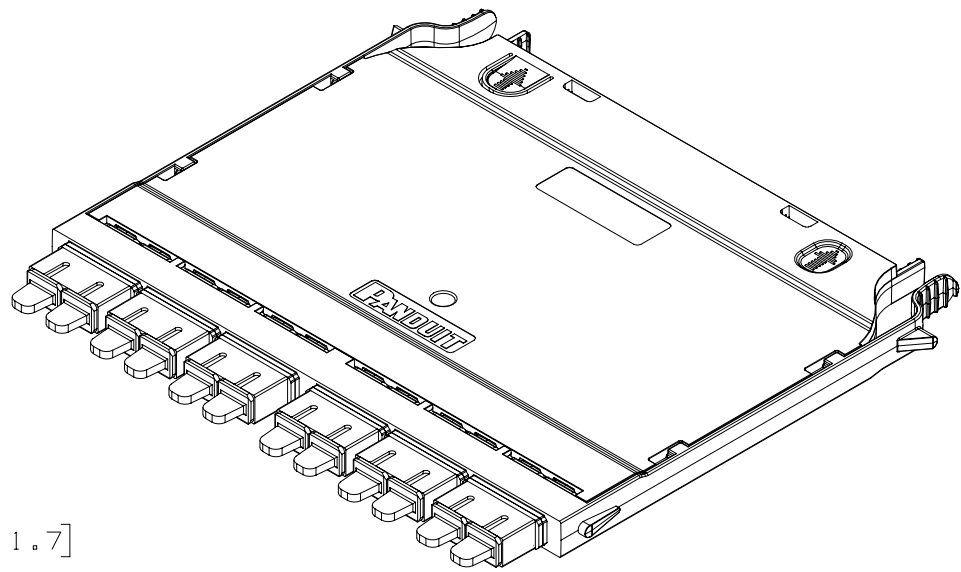
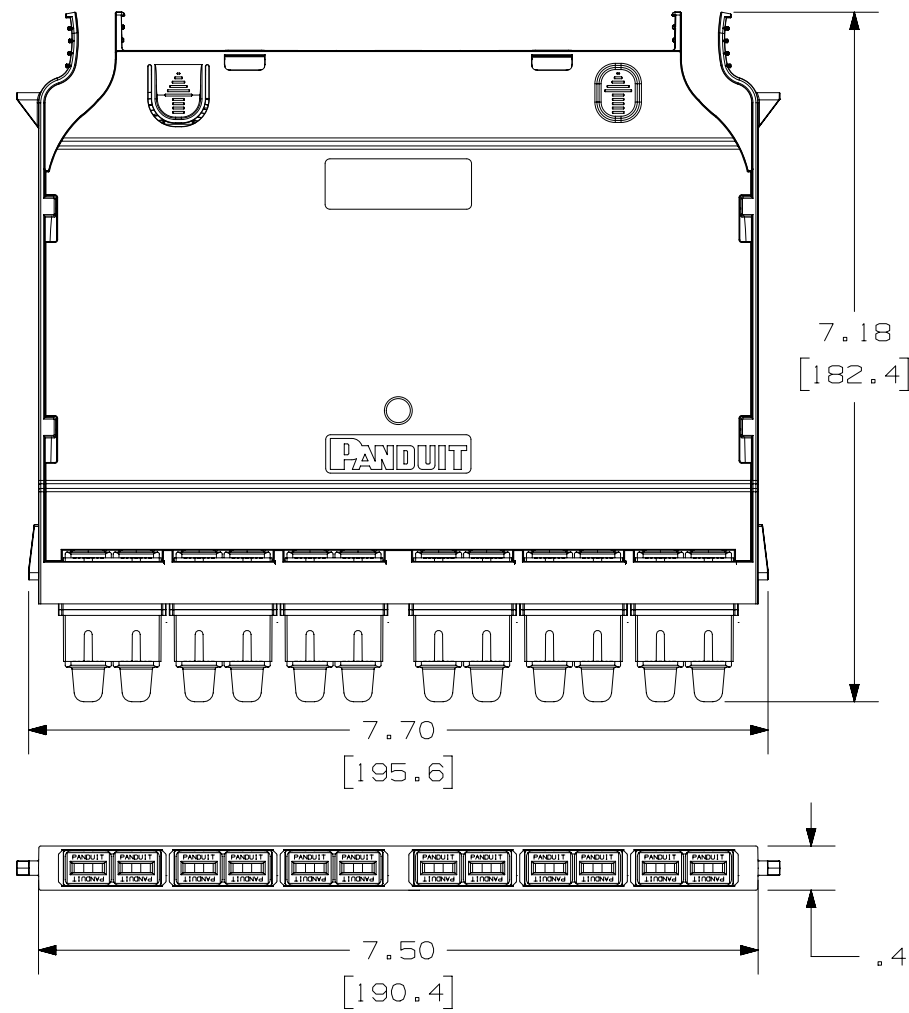

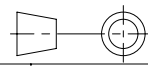


THIS COPY IS PROVIDED ON A RESTRICTED BASIS AND IS NOT TO BE USED IN ANY WAY DETRIMENTAL TO THE INTERESTS OF PANDUIT CORP.

- NOTES:
1. PART NUMBERS: SEE SHEET 2 FOR ALL PART NUMBERS.
  2. CASSETTE WIRING COMPLIES WITH ANSI/TIA-568-C.0 SEE ANSI/TIA-568-C.0 FOR POLARITY DETAILS AND AN EXAMPLE OF A BASIC LINK.
  3. CASSETTE WEIGHT: 6oz (170g)
  4. MAX CABLE DIAMETER IS .291 [ 7.4 ]



00A	09-28-20	SAT	BONS	EJH	RELEASED TO PRODUCTION			00306EAC-DC	
REV	DATE	BY	CHK	APR	DESCRIPTION			ECN	

TITLE HD FLEX 12 FIBER SC SPLICE CASSETTE CUSTOMER DRAWING									
ITEM REVISION NAME 00306EAC/00									
DATASET FILE NAME 00306EAC_DC/00A									
UNLESS OTHERWISE SPECIFIED, DIMENSIONAL TOLERANCES ARE: IN [ mm ]									
.x ± .1 [ 2.54 ]					.xxx ± .005 [ .127 ]				
.xx ± .01 [ .25 ]					ANGLES ± 5 °				
					THIRD ANGLE PROJECTION				
DRAWN BY SAT		DATE 03-11-20		CHK BONS		SCALE NONE		DRAWING NUMBER: 00306EAC-DC	
								SHT 1 OF 2	
								SIZE A	

THIS COPY IS PROVIDED ON A RESTRICTED BASIS AND IS NOT TO BE USED IN ANY WAY DETRIMENTAL TO THE INTERESTS OF PANDUIT CORP.

CASSETTE SPECIFIC COMONENTS		
PRODUCT FAMILY	CASSETTE PART NUMBER	CASSETTE DESCRIPTION
12 FIBER SC SPLICE CASSETTE - PRELOADED WITH DISCRETE PIGTAILS	FHSZA-12-03P	12F OM4 SC DISCRETE PIGTAILS; ULTRA IL
	FHS9N-12-03P	12F OS2 SC DISCRETE PIGTAILS; STANDARD IL
	FHS9N-12-3AP	12F OS2 SC/APC DISCRETE PIGTAILS; STANDARD IL
12 FIBER SC SPLICE CASSETTE - PRELOADED WITH RIBBON PIGTAIL	FHSZA-12-03R	12F OM4 SC RIBBONIZED PIGTAIL; ULTRA IL
	FHS9N-12-03R	12F OS2 SC RIBBONIZED PIGTAIL; STANDARD IL
	FHS9N-12-3AR	12F OS2 SC/APC RIBBONIZED PIGTAILS; STANDARD IL

REV	DATE	BY	CHK	APR	DESCRIPTION	ECN
					SEE SHEET 1 FOR REVISIONS.	

TITLE HD FLEX 12 FIBER SC SPLICE CASSETTE CUSTOMER DRAWING			
ITEM REVISION NAME 00306EAC/00			
DATASET FILE NAME 00306EAC_DC/00A			
UNLESS OTHERWISE SPECIFIED, DIMENSIONAL TOLERANCES ARE: IN (mm) .x ± .1 (2.54)          .xxx ± .005 (.127) .xx ± .01 (.25)          ANGLES ± 5 °			
DRAWN BY SAT		DATE 03-11-20	CHK BONS
SCALE NONE		DRAWING NUMBER: 00306EAC-DC	
THIRD ANGLE PROJECTION			SIZE A
SHT 2 OF 2			

2

1