



Enclosures with cut-outs for Ø22mm units - with hole for 2 actuators  
LPZM

Product designation

Product type designation

**General characteristics**

|                          |               |
|--------------------------|---------------|
| Colour                   | Yellow        |
| IEC degree of protection | IP66 and IP67 |

**Mechanical features**

|        |   |     |
|--------|---|-----|
| Weight | g | 456 |
|--------|---|-----|

**UL technical data**

|                         |         |
|-------------------------|---------|
| UL degree of protection | NEMA 4X |
|-------------------------|---------|

**Ambient conditions**

Temperature

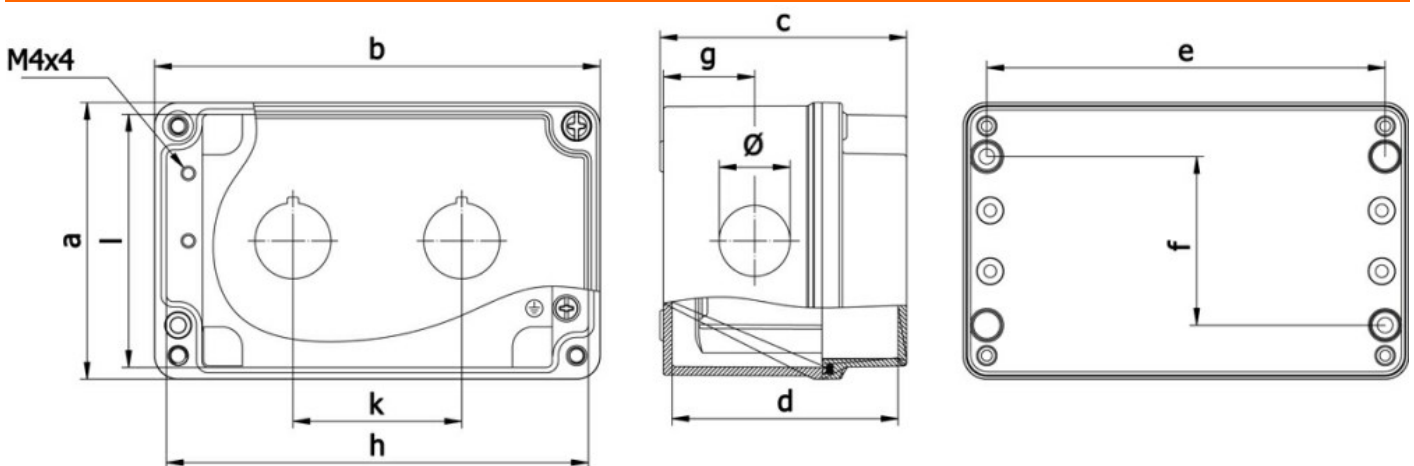
Operating temperature

|     |    |     |
|-----|----|-----|
| min | °C | -25 |
| max | °C | +70 |

Storage temperature

|     |    |     |
|-----|----|-----|
| min | °C | -40 |
| max | °C | +85 |

**Dimensions**



| a  | b   | c  | d  | e   | f  | g  | h   | l  | k  | Ø  |
|----|-----|----|----|-----|----|----|-----|----|----|----|
| 80 | 130 | 73 | 67 | 118 | 50 | 27 | 125 | 75 | 50 | 21 |

**Certifications and compliance**

Compliance

CSA C22.2 n° 14

IEC/EN 60947-1

IEC/EN 60947-5-1

---

UL508

---

Certificates

cULus  
EAC

---

**ETIM classification**

ETIM 8.0

EC000200 -  
Enclosure for  
control circuit  
devices