

Part number

TM 3264KSIR



Interlocked switched socket-outlet, TM series, 3 poles + PE, 6 h (red), 32 A, 380 ÷ 415 V, with compartment for modular units, 4,5 DIN-rail modules EN 60715, without base box

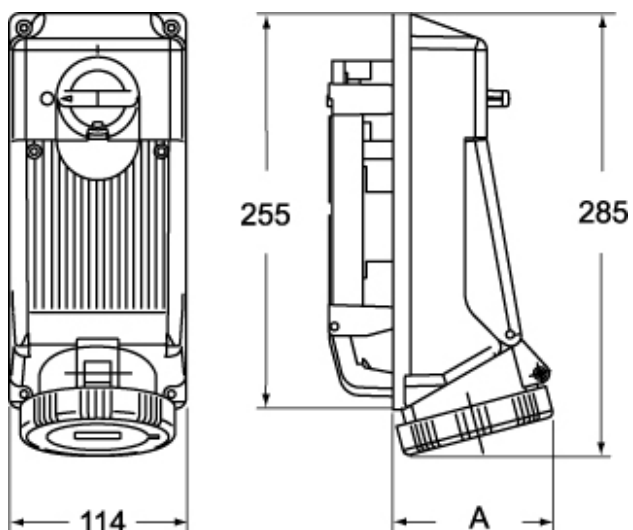
Product description		Material properties	
Product type	Interlocked switched socket-outlet	Colour	RAL 7012 grey, RAL 3000 red
Series	TM..SIR/KSIR		Compliant with exemption 6(c): copper alloy containing up to 4% lead by weight
N. of poles	3 poles +	RoHs conformity	
Clock position	6	China RoHs - EFUP	50
Size	114 x 255 mm fixing distance, for assembly in single or multiple boxes	REACH SVHC substances	Yes Lead
Specification	With compartment for modular units, 4,5 DIN-rail modules EN 60715 Without base box	SCIP number	Ce861c8d-b979-403b-96d9-80aef6dc281d
Technical data		Approvals / Standards	
Current	32 A	Reference standard	EN 60309-1, -2 e -4
Voltage	380 ÷ 415 V	General ordering information	
IP degree of protection	IP66 / IP67	EAN13 code	8015747126083
Further technical details		Packaging Information	
Weight	1.110,00 g	Packaging length	385,00 mm
Operating temperature range (min, max)	-25°C ... +40°C	Packaging height	320,00 mm
UL 94 flammability rating	V-2	Packaging width	485,00 mm
IK rating (impact degree of protection)	IK10	Packaging weight	9,99 kg
		Packaging volume	59,75 dm ³
		Packaging description	Carton box
		Packaging quantity	9 Pcs
		Packaging EAN code	8015747126663
		Sub-packaging length	95,00 mm
		Sub-packaging height	40,00 mm
		Sub-packaging width	253,00 mm
		Sub-packaging weight	1,11 kg
		Sub-packaging volume	0,96 dm ³
		Sub-packaging description	Carton tray
		Sub-packaging quantity	1 Pcs
		Sub-packaging EAN barcode	8015747126670

Part number

TM 3264KSIR



Catalogue drawings



	A
2P+⊕	96
3P+⊕	96
3P+N+⊕	101

Notes

Dimensions shown in mm are not binding and may be changed without notice.
