



Product designation	Add-on auxiliary contacts
Product type designation	SM1X
Description	Auxiliary contacts for magnetic tripping indication
Accessories for	SM1P..., SM1R...

#### Auxiliary contact characteristics

Type of contact	1NO + 1NC		
Rated insulation voltage $U_i$ IEC/EN	V	690	
Rated impulse withstand voltage $U_{imp}$	kV	4	
UL/CSA and IEC/EN 60947-5-1 designation	A600 - Q600		
Min. conductivity	5V 10mA		
Operating current AC15			
	24V	A	10
	48V	A	10
	60V	A	10
	110V	A	6
	230V	A	3
	400V	A	1.9
	500V	A	1.4
	690V	A	1.2
Operating current DC13			
	24V	A	2.5
	48V	A	2.5
	60V	A	2.5
	110V	A	0.55
	125V	A	0.55
	220V	A	0.27
	600V	A	0.1

#### Mechanical features

Tightening torque for terminals			
	min	Nm	1
	max	Nm	1
	min	lbin	9
	max	lbin	9
Conductor section			
AWG/Kcmil			
	min	18	
	max	14	
Flexible w/o lug conductor section			
	min	mm <sup>2</sup>	0.75
	max	mm <sup>2</sup>	2.5
Flexible c/w lug conductor section			
	min	mm <sup>2</sup>	0.75
	max	mm <sup>2</sup>	2.5

Operating position

normal allowable	Vertical Any
------------------	--------------

Terminals

type	Screw
screw width	M3.5
mm	7.2
tool	Ph2

Weight

g	36
---	----

**Operations**

Mechanical life

cycles	100000
--------	--------

**Ambient conditions**

Temperature

Operating temperature

min	°C	-20
max	°C	+60

Storage temperature

min	°C	-50
max	°C	+80

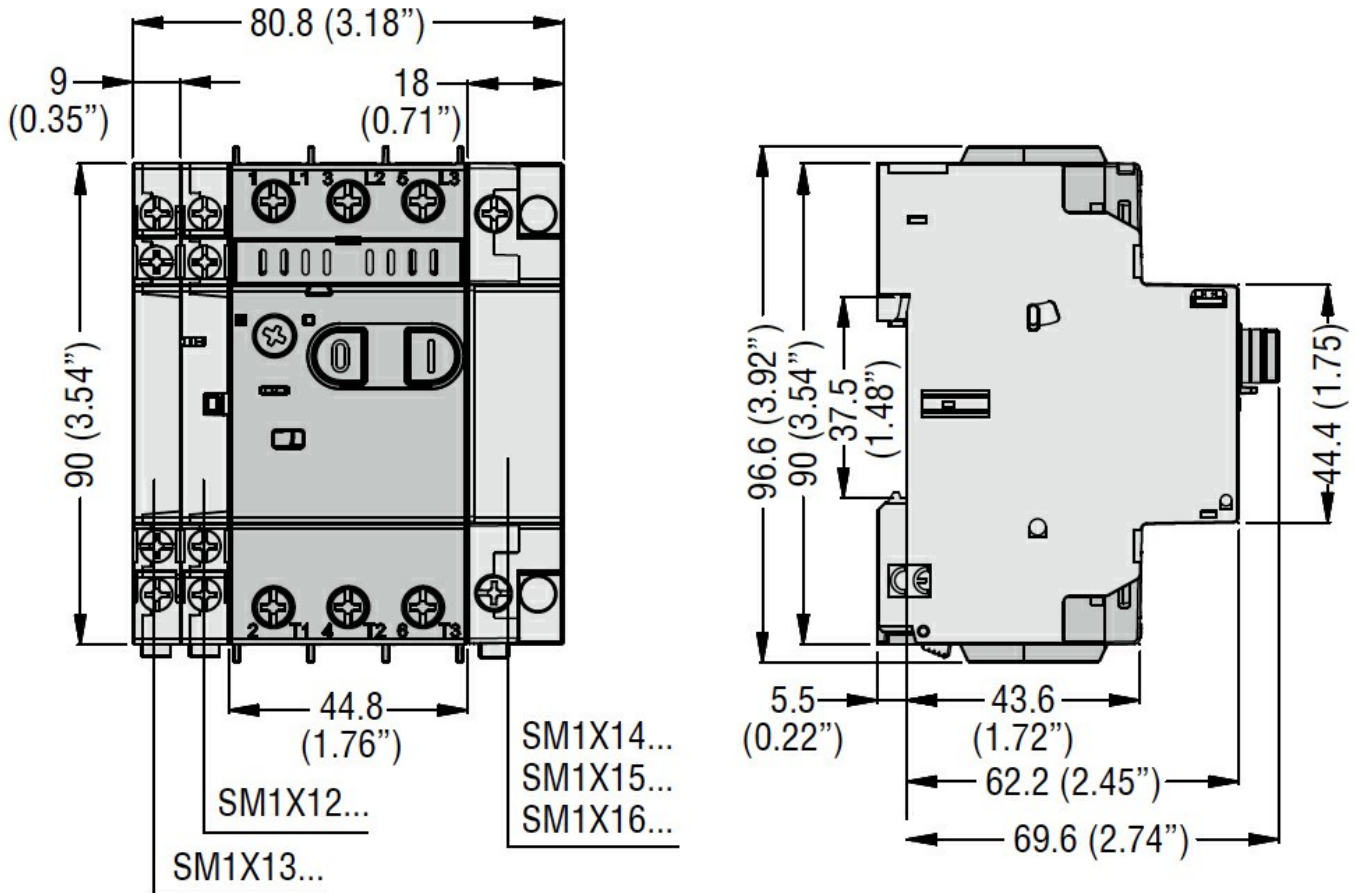
Max altitude

m	3000
---	------

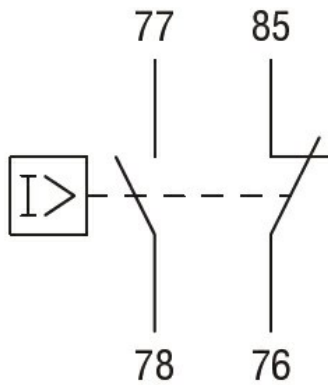
IEC degree of protection

IP20
------

**Dimensions**



**Wiring diagrams**



### Certifications and compliance

#### Compliance

CSA C22.2 n° 14

IEC/EN 60947-1

IEC/EN 60947-5-1

UL508

#### Certificates

cULus

EAC

### ETIM classification