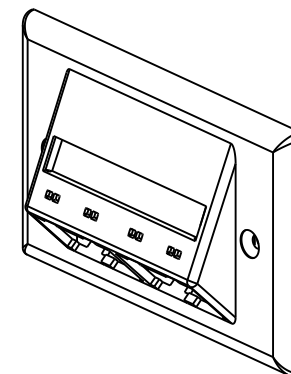
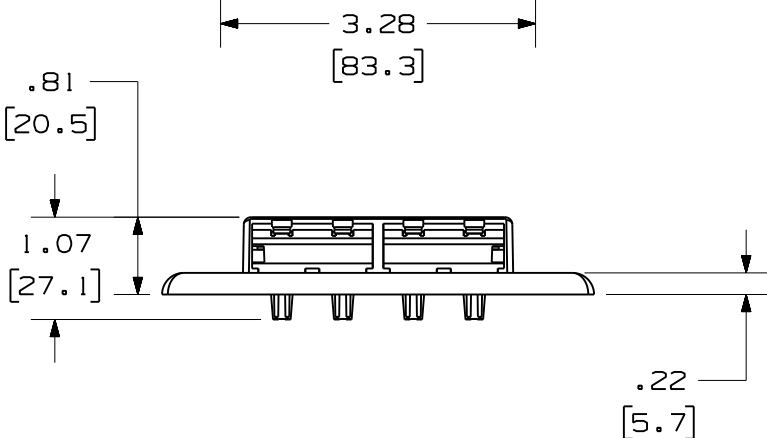
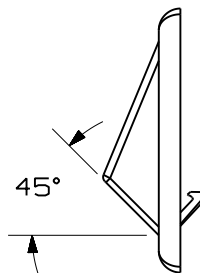
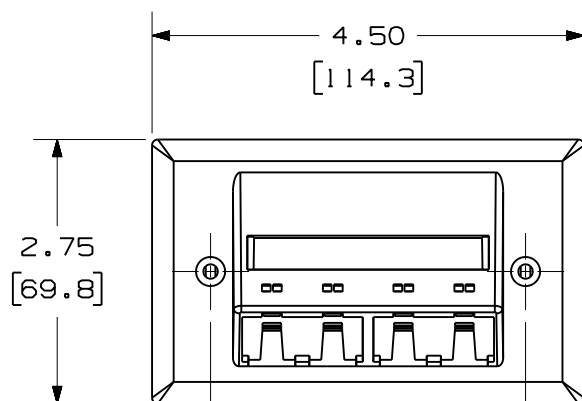


THIS COPY IS PROVIDED ON A RESTRICTED BASIS AND IS NOT TO BE USED IN ANY WAY DETRIMENTAL TO THE INTERESTS OF PANDUIT CORP.

PANDUIT P/N	WEIGHT
CFPHSL4**	.57 LB/10 PCS. (256.7 G/10 PCS.)

NOTES:

- ** 1. SEE CURRENT CATALOG FOR ADDITIONAL PART NUMBER SUFFIXES TO INDICATE COLOR AND OR PACKAGE QUANTITY.
- 2. SEE CATALOG FOR COMPLETE LIST OF PARTS APPLICABLE FOR USE WITH THIS PART.
- 3. PART INCLUDES:
1- FACEPLATE
2- MOUNTING SCREWS
1- LABEL
1- LABEL COVER
- 4. DIMENSIONS IN PARENTHESIS ARE IN METRIC.



MODEL FILENAME		SIZE
DRAWING FILENAME	M00734BC_DC/05A	A
4 POSITION MINI-COM HORIZONTAL SLOPED FACEPLATE W/LABEL COVERS CUSTOMER DRAWING		
PANDUIT [®] TINLEY PARK, IL 60487		I.I. NUMBER
ALL DIMENSIONS ARE GIVEN IN INCHES, UNLESS OTHERWISE SPECIFIED. DIMENSIONAL TOLERANCES ARE: (.X) ± (.XXX) ±.010(1.3) (.XX) ±.03(1.8) ANGLES ±		PRODUCT SPEC/ PKG SPEC
THIRD ANGLE PROJECTION	SCALE	NONE
DRAWN BY JsP	REVIEW DRAWING NUMBERS	PART NO. CFPHSL4**
DATE 10-5-99	MAT'L ABS	DRAWING NO. 00734-11
CHK'D MECA		

REV	DATE	BY	CHK	DESCRIPTION	ECN	R	CUST	SUP	OTH
I	5-9-11	BJN	JSP	A. UPDATED MODEL TO REV 05 MADE VIEWS HORIZONTAL	00734-11		JSP		
R	10-5-99	JsP	MECA	RELEASED TO PRODUCTION	00734-11				