

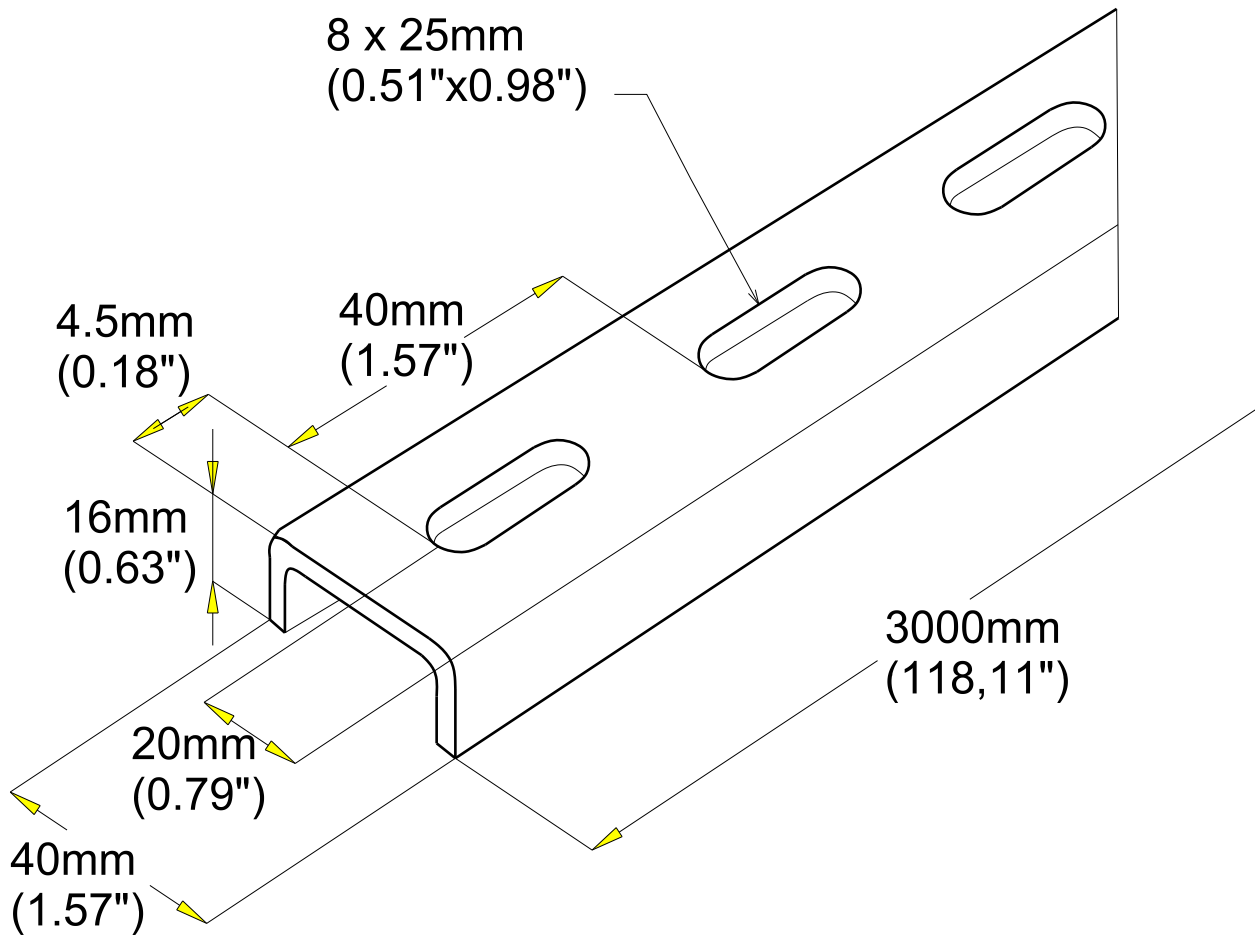
PROFIL U UBD 40
U SECTION UBD 40

GC
HDG

legrand® CABLE
MANAGEMENT

FT0257-3

03 16



Material	Standard	Finishes	Standard
S235JR	EN 10025	Hot dip galvanized	EN ISO 1461

REF	CODE	POIDS (Kg/m)	WEIGHT (lb/ft)
UBD 40	524 152	0.940	0.632

EPAISSEUR / THICKNESS
1.75 / (0.07")