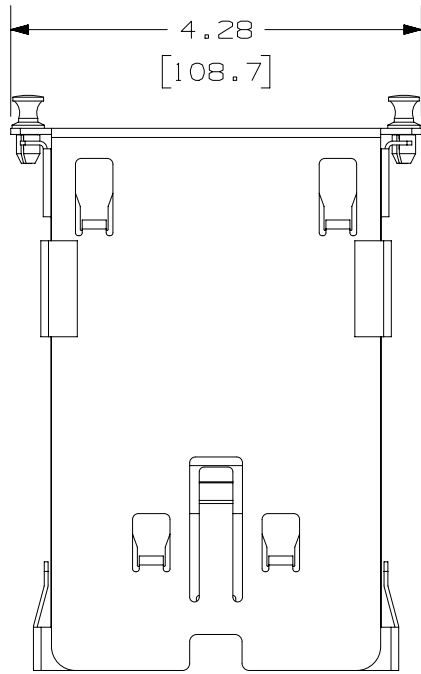
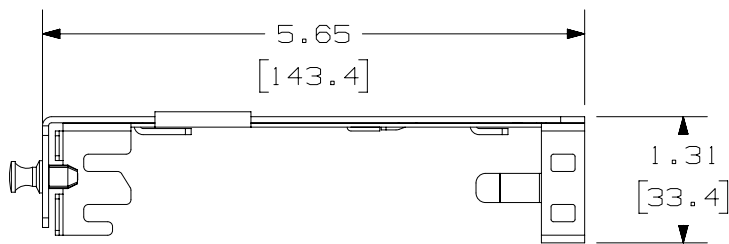


THIS COPY IS PROVIDED ON A RESTRICTED BASIS AND IS NOT TO BE USED IN ANY WAY DETRIMENTAL TO THE INTERESTS OF PANDUIT CORP.



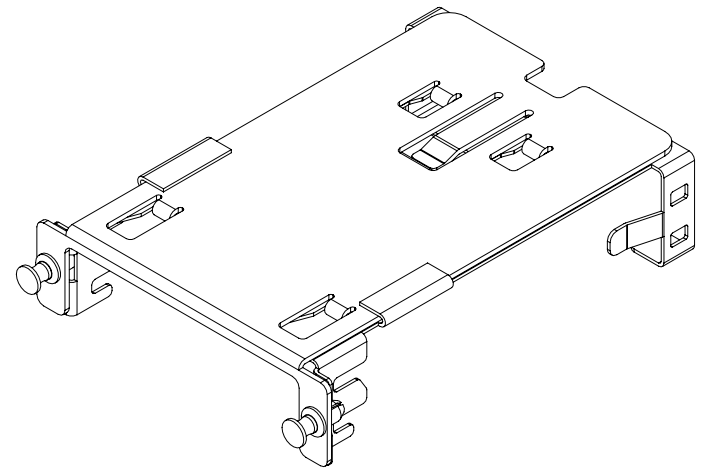
TOP VIEW



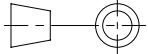
SIDE VIEW

NOTES:

1. FLEX-OPTI-1RU CAN HOLD UP TO TWO HD FLEX CASSETTES, AND CAN BE ATTACHED TO OPTICOM PATCH PANELS OR ENCLOSURES, EXCLUDING ANGLED OPTICOM PATCH PANELS AND ENCLOSURES.
2. VISIT OUR ON-LINE CATALOG AT WWW.PANDUIT.COM FOR A LIST OF CURRENT PARTS APPLICABLE FOR USE WITH THIS PRODUCT.
3. DIMENSIONS IN [] ARE METRIC.
4. ALL MATERIALS AND COMPONENTS USED MEET THE MATERIAL RESTRICTIONS OF RoHS (EUROPEAN DIRECTIVE 2011/65/EU ON THE RESTRICTION OF HAZARDOUS SUBSTANCES) AS PROPOSED BY THE RoHS TECHNICAL ADAPTATION COMMITTEE.



ISO VIEW

PART NUMBER		FLEX-OPTI-1RU		
TITLE		HD FLEX TO OPTICOM CONVERTER BRACKET - 1RU		
		CUSTOMER DRAWING		
ITEM REVISION NAME		00076EAD/00		
DATASET FILE NAME		00076EAD_DC/00A		
		THIRD ANGLE PROJECTION		
MATERIAL		20 Ga and 16 Ga Steel		
		DRAWING NUMBER		
		00076EAD-DC		
REV	DATE	BY	CHK	SCALE
00	03/20/18	SAT	BJBE	1:2
DESCRIPTION		APR	ECN	SHEET 1 OF 1
INITIAL RELEASE			00076EAD-DC	A

A-SIZE CUSTOMER