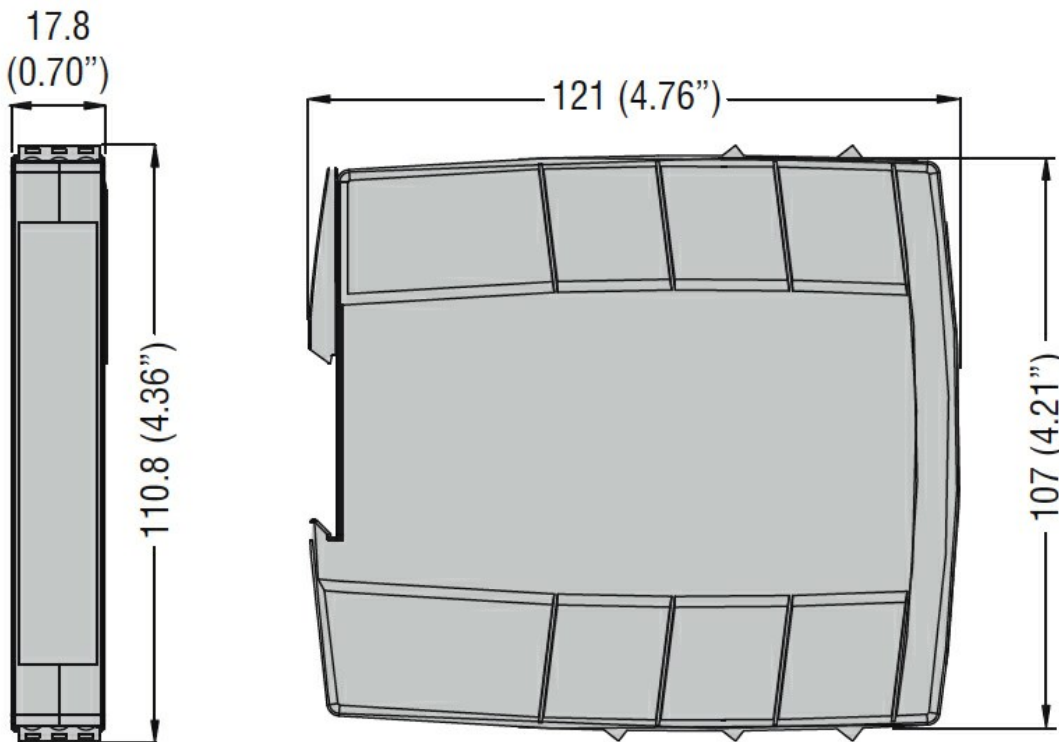




Product designation	SRB	
Product type designation	Single function	
<b>General characteristics</b>		
<b>General characteristics</b>		
Functions	Emergency stop	
<b>Contact characteristics</b>		
Type of contact	2NO	
<b>Operations</b>		
Mechanical life	cycles	>10 <sup>7</sup>
<b>Auxiliary supply</b>		
Nominal auxiliary voltage supply	24VAC/DC	
Operating range	V	22...26VDC / 20.4...27.6VAC
Frequency range	Hz	50/60
Overvoltage category	III	
Insulation voltage	kV	4
Protections	Short circuit with PTC	
<b>Input characteristics</b>		
Number of inputs	Nr.	2
Resistance input circuit	kΩ	Max 1
Input current	mA	Typical 5
<b>Output characteristics</b>		
Number of safe outputs NO	Nr.	2
Number of safe outputs NC	Nr.	0
Number of feedback outputs	Nr.	0
Output type	Voltage free contacts, relays with forcibly guided contacts	
Output contacts ratings	AC1 250V: 6A-2000VA AC15 230V: 3A DC1 24V: 6A DC13 24V: 2.5A	
UL 508 ratings	Pilot duty: B300-R300	
Mechanical life	cycles	>10 <sup>7</sup>
Electrical life AC1 at 360 commutations/h	cycles	10 <sup>5</sup>
<b>Safety parameters</b>		
ISO 13849-1 security category	Cat. 4	
ISO 13849-1 performance level	PLe	
<b>Mechanical features</b>		
Cable connection	Removable screw terminal	
Fixing	35mm DIN rail	

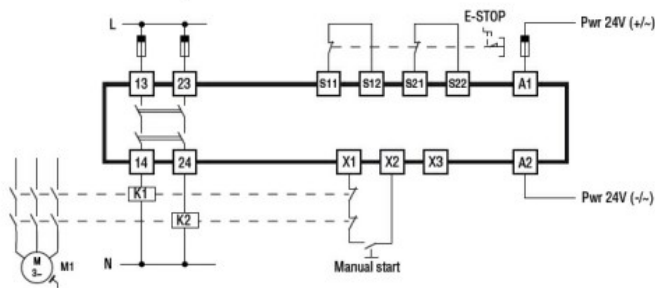
Weight	g 209		
<b>Ambient conditions</b>			
Protection degree	IP40 on front IP20 on terminals		
Pollution degree	2		
Temperature	Operating temperature		
	min	°C	-25
	max	°C	+60
	Storage temperature		
	min	°C	-30
	max	°C	+70
Relative humidity	% ≤95		

**Dimensions**

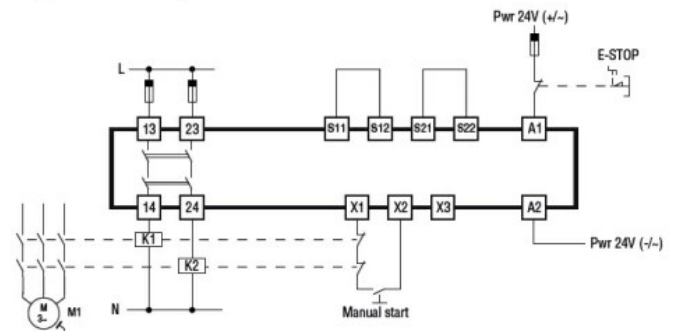


**Wiring diagrams**

Double channel mode, manual start



Single channel mode, manual start



**Certifications and compliance**

Compliance

EN/BS 13849-1

EN/BS 81-20

EN/BS 81-50

---

Certificates

cULus

---

TÜV

ETIM classification

ETIM 8.0

EC001449 -  
Device for  
monitoring of  
safety-related  
circuits