

THIS COPY IS PROVIDED ON A RESTRICTED BASIS AND IS NOT TO BE USED IN ANY WAY DETRIMENTAL TO THE INTERESTS OF PANDUIT CORP.

PANDUIT P/N	WEIGHT
P16E27M-XXYZ	SEE SHEET 2

SPECIFICATION:

1. STANDARD:
 UNIT TYPE: MONITORED SWITCHED
 ORIENTATION: VERTICAL, HALF
 OUTLET QTY&TYPE: (12) C13, (4) C19
 INPUT VOLTAGE: 100-240VAC
 INPUT CURRENT: 16A
 BREAKER QTY&TYPE: N/A
 INPUT PHASE: SINGLE-PHASE
 RATED POWER: 3.7kVA
 INPUT PLUG: IEC 60309 2P+E 6H 16A
 INPUT POWER CORD: SEE SHEET 2 FOR PART NUMBER TABLE
 REGULATORY STANDARD: RoHS COMPLIANT

2. ADDITIONAL:

NONE

3. ACCESSORIES:

(1) QUICK-START GUIDE

NOTES:

- PRIMARY DIMENSIONS ARE IN MILLIMETERS. SECONDARY DIMENSION ARE IN [INCHES]
- INSTALLATION SHALL COMPLY WITH ALL APPLICABLE NATIONAL, STATE, AND LOCAL CODES
- VISIT OUR ON-LINE CATALOG AT WWW.PANDUIT.COM FOR A CURRENT LIST OF PRODUCTS APPLICABLE FOR USE WITH THIS PART
- FOR FULL PRODUCT FUNCTIONALITY REFER TO USER MANUAL
- DRAWING VIEWS SHOW THE INPUT CORD IN THE "TOP FRONT FED" CONFIGURATION
- SUPPLIED DETACHABLE INPUT CORD DESIGNED TO FEED INTO THE C20 INLET ON THE UNIT
- DETACHABLE INPUT CORD MINIMUM RATING TO BE EQUAL TO OR GREATER THAN THE PDU INPUT CURRENT RATING STATED IN SPECIFICATION #1 ABOVE

IDENTIFICATION

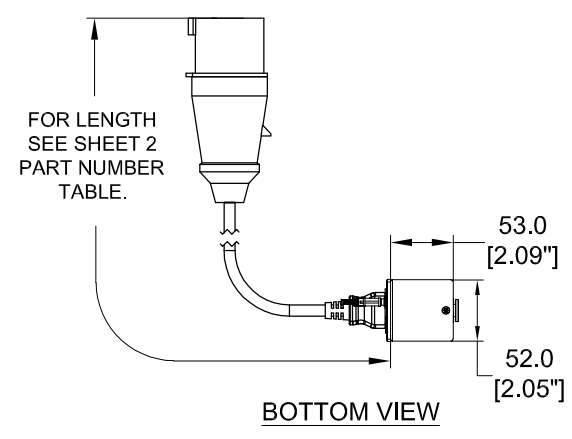
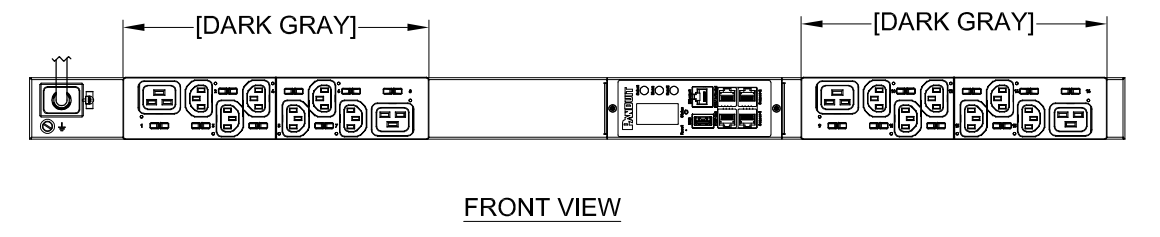
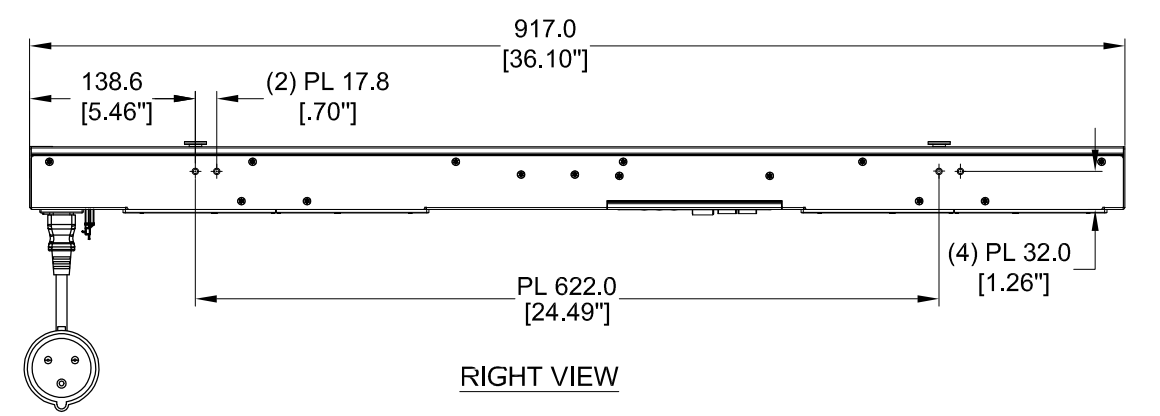
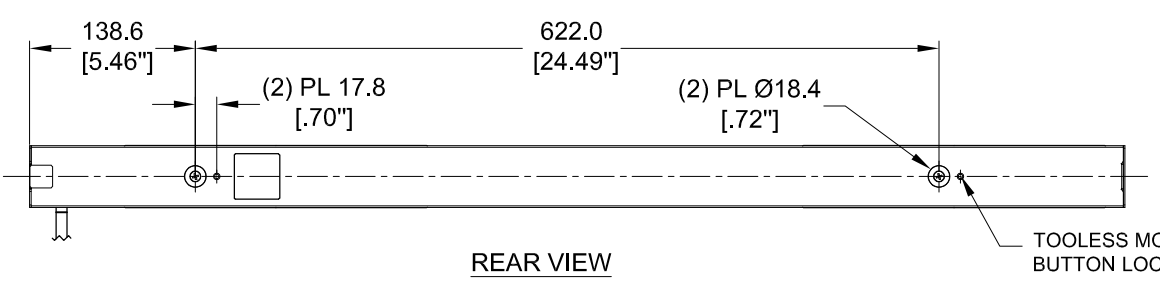
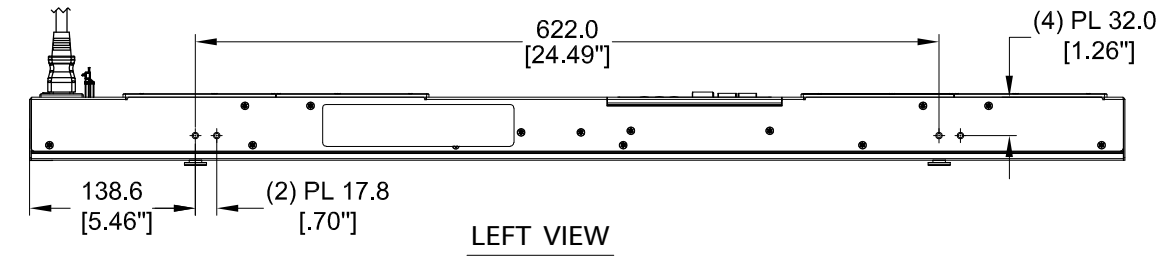
FOR FINISHED GOOD PART NUMBER & DESCRIPTION TABLE SEE SHEET 2 CONFIGURABLE PART NUMBERS: P16E27M-XX Y Z

XX: FINISHED GOOD COLOR BL=BLACK YL=YELLOW RD=RED BU=BLUE WH=WHITE GN=GREEN	Y: INPUT FEED TYPE 3=TOP-FRONT FED 5=BOTTOM-FRONT FED	Z: INPUT CORD LENGTH A=1 METER B=2 METER C=3 METER
--	---	---

WE ASK THAT YOU CHECK FULLY THE DIMENSIONS, NOTES, AND SIGN THE CLIENT SIGNATURE BOX. THE JOB WILL NOT PROGRESS WITHOUT SIGNED APPROVAL. PLEASE DO NOT DELAY IN RETURNING PROOF AS IT WILL AFFECT DELIVERY

TITLE		INTELLIGENT SERIES PDU P16E27M-XXYZ CUSTOMER DRAWING	
ITEM REVISION NAME:		SIGN	
DATASHEET FILE NAME:		DATE	
UNLESS OTHERWISE SPECIFIED DIMENSIONAL TOLERANCE ARE: mm [IN]		PRINT	
Tolerance(mm) 0<L<50 ±0.5 50<L<250 ±1.0 250<L<500 ±1.5 500<L<1000 ±2.5 1000<L<2000 ±4.0		MATERIAL/COLOR: N/A	
THIRD ANGLE PROJECTION		DRAWING NUMBER: P16E27M_DC	
DRAWN BY: GEORGE	DATE: 09/22/2017	CHK: SEAN	SCALE: NONE
SHT 1 OF 2		SCALE: B	

REV	DATE	BY	CHK	APR	DESCRIPTION	ECN
02A	06/07/2018	H.XU	MIM	JAWI	ADDED SHEET 2 WITH CONFIGURABLE PART NUMBER TABLE AND DESCRIPTION UPDATED IDENTIFICATION TO INCLUDE CONFIGURABLE OPTION DE-CODER	P16E27M
01A	09/22/2017	GEORGE	MIM	EDM	INITIAL RELEASE	P16E27M



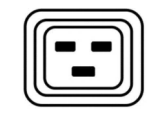
FOR LENGTH SEE SHEET 2 PART NUMBER TABLE.

TOOLESS MOUNTING BUTTON LOCATIONS (12) PL

PLUG/RECEPTACLE BLOCK



PLUG
IEC 60309, 2P 3W, 6H
IP44 (SPLASHPROOF)
16A, 250V MAX RATED INPUT



RECEPTACLES
IEC 60320/C19
16A, 250V MAX RATED OUTPUT



RECEPTACLES
IEC 60320/C13
10A, 250V MAX RATED OUTPUT



MATERIAL/COLOR:
N/A

DRAWING NUMBER:
P16E27M_DC

SHT 1 OF 2

SCALE: B

2

↑

1

THIS COPY IS PROVIDED ON A RESTRICTED BASIS AND IS NOT TO BE USED IN ANY WAY DETRIMENTAL TO THE INTERESTS OF PANDUIT CORP.

FINISHED GOOD PART NUMBER	FINISHED GOOD DESCRIPTION	COLOR	INPUT CORD LENGTH	WEIGHT
P16E27M	VERTICAL,(12) C13,(4) C19,MONITORED SWITCHED, 100-240V/16A/1 PHASE , TOP-FRONT FED, 3 METER INPUT CORD, BLACK	BLACK (RAL 9005)	3M(+254MM-127MM) 10'[+10"-5"]	5.5kg
P16E27M-BL3A	VERTICAL,(12) C13,(4) C19,MONITORED SWITCHED, 100-240V/16A/1 PHASE , TOP-FRONT FED, 1 METER INPUT CORD, BLACK	BLACK (RAL 9005)	1M(+178MM-89MM) 3.3'[+3.5"-1.75"]	5.1kg
P16E27M-BL3B	VERTICAL,(12) C13,(4) C19,MONITORED SWITCHED, 100-240V/16A/1 PHASE , TOP-FRONT FED, 2 METER INPUT CORD, BLACK	BLACK (RAL 9005)	2M(+178MM-89MM) 6.5'[+7"-3.5"]	5.3kg
P16E27M-RD3A	VERTICAL,(12) C13,(4) C19,MONITORED SWITCHED, 100-240V/16A/1 PHASE , TOP-FRONT FED, 1 METER INPUT CORD, RED	RED (RAL 3020)	1M(+178MM-89MM) 3.3'[+3.5"-1.75"]	5.1kg
P16E27M-RD3B	VERTICAL,(12) C13,(4) C19,MONITORED SWITCHED, 100-240V/16A/1 PHASE , TOP-FRONT FED, 2 METER INPUT CORD, RED	RED (RAL 3020)	2M(+178MM-89MM) 6.5'[+7"-3.5"]	5.3kg
P16E27M-RD3C	VERTICAL,(12) C13,(4) C19,MONITORED SWITCHED, 100-240V/16A/1 PHASE , TOP-FRONT FED, 3 METER INPUT CORD, RED	RED (RAL 3020)	3M(+254MM-127MM) 10'[+10"-5"]	5.5kg
P16E27M-WH3A	VERTICAL,(12) C13,(4) C19,MONITORED SWITCHED, 100-240V/16A/1 PHASE , TOP-FRONT FED, 1 METER INPUT CORD, WHITE	WHITE (RAL 9003)	1M(+178MM-89MM) 3.3'[+3.5"-1.75"]	5.1kg
P16E27M-WH3B	VERTICAL,(12) C13,(4) C19,MONITORED SWITCHED, 100-240V/16A/1 PHASE , TOP-FRONT FED, 2 METER INPUT CORD, WHITE	WHITE (RAL 9003)	2M(+178MM-89MM) 6.5'[+7"-3.5"]	5.3kg
P16E27M-WH3C	VERTICAL,(12) C13,(4) C19,MONITORED SWITCHED, 100-240V/16A/1 PHASE , TOP-FRONT FED, 3 METER INPUT CORD, WHITE	WHITE (RAL 9003)	3M(+254MM-127MM) 10'[+10"-5"]	5.5kg
P16E27M-YL3A	VERTICAL,(12) C13,(4) C19,MONITORED SWITCHED, 100-240V/16A/1 PHASE , TOP-FRONT FED, 1 METER INPUT CORD, YELLOW	YELLOW (RAL 1023)	1M(+178MM-89MM) 3.3'[+3.5"-1.75"]	5.1kg
P16E27M-YL3B	VERTICAL,(12) C13,(4) C19,MONITORED SWITCHED, 100-240V/16A/1 PHASE , TOP-FRONT FED, 2 METER INPUT CORD, YELLOW	YELLOW (RAL 1023)	2M(+178MM-89MM) 6.5'[+7"-3.5"]	5.3kg
P16E27M-YL3C	VERTICAL,(12) C13,(4) C19,MONITORED SWITCHED, 100-240V/16A/1 PHASE , TOP-FRONT FED, 3 METER INPUT CORD, YELLOW	YELLOW (RAL 1023)	3M(+254MM-127MM) 10'[+10"-5"]	5.5kg
P16E27M-BU3A	VERTICAL,(12) C13,(4) C19,MONITORED SWITCHED, 100-240V/16A/1 PHASE , TOP-FRONT FED, 1 METER INPUT CORD, BLUE	BLUE (RAL 5005)	1M(+178MM-89MM) 3.3'[+3.5"-1.75"]	5.1kg
P16E27M-BU3B	VERTICAL,(12) C13,(4) C19,MONITORED SWITCHED, 100-240V/16A/1 PHASE , TOP-FRONT FED, 2 METER INPUT CORD, BLUE	BLUE (RAL 5005)	2M(+178MM-89MM) 6.5'[+7"-3.5"]	5.3kg
P16E27M-BU3C	VERTICAL,(12) C13,(4) C19,MONITORED SWITCHED, 100-240V/16A/1 PHASE , TOP-FRONT FED, 3 METER INPUT CORD, BLUE	BLUE (RAL 5005)	3M(+254MM-127MM) 10'[+10"-5"]	5.5kg
P16E27M-GN3A	VERTICAL,(12) C13,(4) C19,MONITORED SWITCHED, 100-240V/16A/1 PHASE , TOP-FRONT FED, 1 METER INPUT CORD, GREEN	GREEN (RAL 6001)	1M(+178MM-89MM) 3.3'[+3.5"-1.75"]	5.1kg
P16E27M-GN3B	VERTICAL,(12) C13,(4) C19,MONITORED SWITCHED, 100-240V/16A/1 PHASE , TOP-FRONT FED, 2 METER INPUT CORD, GREEN	GREEN (RAL 6001)	2M(+178MM-89MM) 6.5'[+7"-3.5"]	5.3kg
P16E27M-GN3C	VERTICAL,(12) C13,(4) C19,MONITORED SWITCHED, 100-240V/16A/1 PHASE , TOP-FRONT FED, 3 METER INPUT CORD, GREEN	GREEN (RAL 6001)	3M(+254MM-127MM) 10'[+10"-5"]	5.5kg
P16E27M-BL5A	VERTICAL,(12) C13,(4) C19,MONITORED SWITCHED, 100-240V/16A/1 PHASE , BOTTOM-FRONT FED, 1 METER INPUT CORD, BLACK	BLACK (RAL 9005)	1M(+178MM-89MM) 3.3'[+3.5"-1.75"]	5.1kg
P16E27M-BL5B	VERTICAL,(12) C13,(4) C19,MONITORED SWITCHED, 100-240V/16A/1 PHASE , BOTTOM-FRONT FED, 2 METER INPUT CORD, BLACK	BLACK (RAL 9005)	2M(+178MM-89MM) 6.5'[+7"-3.5"]	5.3kg
P16E27M-BL5C	VERTICAL,(12) C13,(4) C19,MONITORED SWITCHED, 100-240V/16A/1 PHASE , BOTTOM-FRONT FED, 3 METER INPUT CORD, BLACK	BLACK (RAL 9005)	3M(+254MM-127MM) 10'[+10"-5"]	5.5kg
P16E27M-RD5A	VERTICAL,(12) C13,(4) C19,MONITORED SWITCHED, 100-240V/16A/1 PHASE , BOTTOM-FRONT FED, 1 METER INPUT CORD, RED	RED (RAL 3020)	1M(+178MM-89MM) 3.3'[+3.5"-1.75"]	5.1kg
P16E27M-RD5B	VERTICAL,(12) C13,(4) C19,MONITORED SWITCHED, 100-240V/16A/1 PHASE , BOTTOM-FRONT FED, 2 METER INPUT CORD, RED	RED (RAL 3020)	2M(+178MM-89MM) 6.5'[+7"-3.5"]	5.3kg
P16E27M-RD5C	VERTICAL,(12) C13,(4) C19,MONITORED SWITCHED, 100-240V/16A/1 PHASE , BOTTOM-FRONT FED, 3 METER INPUT CORD, RED	RED (RAL 3020)	3M(+254MM-127MM) 10'[+10"-5"]	5.5kg
P16E27M-WH5A	VERTICAL,(12) C13,(4) C19,MONITORED SWITCHED, 100-240V/16A/1 PHASE , BOTTOM-FRONT FED, 1 METER INPUT CORD, WHITE	WHITE (RAL 9003)	1M(+178MM-89MM) 3.3'[+3.5"-1.75"]	5.1kg
P16E27M-WH5B	VERTICAL,(12) C13,(4) C19,MONITORED SWITCHED, 100-240V/16A/1 PHASE , BOTTOM-FRONT FED, 2 METER INPUT CORD, WHITE	WHITE (RAL 9003)	2M(+178MM-89MM) 6.5'[+7"-3.5"]	5.3kg
P16E27M-WH5C	VERTICAL,(12) C13,(4) C19,MONITORED SWITCHED, 100-240V/16A/1 PHASE , BOTTOM-FRONT FED, 3 METER INPUT CORD, WHITE	WHITE (RAL 9003)	3M(+254MM-127MM) 10'[+10"-5"]	5.5kg
P16E27M-YL5A	VERTICAL,(12) C13,(4) C19,MONITORED SWITCHED, 100-240V/16A/1 PHASE , BOTTOM-FRONT FED, 1 METER INPUT CORD, YELLOW	YELLOW (RAL 1023)	1M(+178MM-89MM) 3.3'[+3.5"-1.75"]	5.1kg
P16E27M-YL5B	VERTICAL,(12) C13,(4) C19,MONITORED SWITCHED, 100-240V/16A/1 PHASE , BOTTOM-FRONT FED, 2 METER INPUT CORD, YELLOW	YELLOW (RAL 1023)	2M(+178MM-89MM) 6.5'[+7"-3.5"]	5.3kg
P16E27M-YL5C	VERTICAL,(12) C13,(4) C19,MONITORED SWITCHED, 100-240V/16A/1 PHASE , BOTTOM-FRONT FED, 3 METER INPUT CORD, YELLOW	YELLOW (RAL 1023)	3M(+254MM-127MM) 10'[+10"-5"]	5.5kg
P16E27M-BU5A	VERTICAL,(12) C13,(4) C19,MONITORED SWITCHED, 100-240V/16A/1 PHASE , BOTTOM-FRONT FED, 1 METER INPUT CORD, BLUE	BLUE (RAL 5005)	1M(+178MM-89MM) 3.3'[+3.5"-1.75"]	5.1kg
P16E27M-BU5B	VERTICAL,(12) C13,(4) C19,MONITORED SWITCHED, 100-240V/16A/1 PHASE , BOTTOM-FRONT FED, 2 METER INPUT CORD, BLUE	BLUE (RAL 5005)	2M(+178MM-89MM) 6.5'[+7"-3.5"]	5.3kg
P16E27M-BU5C	VERTICAL,(12) C13,(4) C19,MONITORED SWITCHED, 100-240V/16A/1 PHASE , BOTTOM-FRONT FED, 3 METER INPUT CORD, BLUE	BLUE (RAL 5005)	3M(+254MM-127MM) 10'[+10"-5"]	5.5kg
P16E27M-GN5A	VERTICAL,(12) C13,(4) C19,MONITORED SWITCHED, 100-240V/16A/1 PHASE , BOTTOM-FRONT FED, 1 METER INPUT CORD, GREEN	GREEN (RAL 6001)	1M(+178MM-89MM) 3.3'[+3.5"-1.75"]	5.1kg
P16E27M-GN5B	VERTICAL,(12) C13,(4) C19,MONITORED SWITCHED, 100-240V/16A/1 PHASE , BOTTOM-FRONT FED, 2 METER INPUT CORD, GREEN	GREEN (RAL 6001)	2M(+178MM-89MM) 6.5'[+7"-3.5"]	5.3kg
P16E27M-GN5C	VERTICAL,(12) C13,(4) C19,MONITORED SWITCHED, 100-240V/16A/1 PHASE , BOTTOM-FRONT FED, 3 METER INPUT CORD, GREEN	GREEN (RAL 6001)	3M(+254MM-127MM) 10'[+10"-5"]	5.5kg

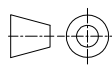
B

B

A

A

REV	DATE	BY	CHK	APR	DESCRIPTION	ECN
02A	06/07/2018	H.XU	MIM	JAWI	ADDED SHEET 2 WITH CONFIGURABLE PART NUMBER TABLE AND DESCRIPTION UPDATED IDENTIFICATION TO INCLUDE CONFIGURABLE OPTION DE-CODER	P16E27M
01A	09/22/2017	GEORGE	MIM	EDM	INITIAL RELEASE	P16E27M

WE ASK THAT YOU CHECK FULLY THE DIMENSIONS, NOTES, AND SIGN THE CLIENT SIGNATURE BOX. THE JOB WILL NOT PROGRESS WITHOUT SIGNED APPROVAL. PLEASE DO NOT DELAY IN RETURNING PROOF AS IT WILL AFFECT DELIVERY.		SIGN
		DATE
		PRINT
TITLE INTELLIGENT SERIES PDU P16E27M-XYZ CUSTOMER DRAWING		
ITEM REVISION NAME:		
DATASHEET FILE NAME:		
UNLESS OTHERWISE SPECIFIED DIMENSIONAL TOLERANCE ARE: mm [IN]		MATERIAL/COLOR:
 Tolerance(mm) 0<L<50 ±0.5 50<L<250 ±1.0 250<L<500 ±1.5 500<L<1000 ±2.5 1000<L<2000 ±4.0		N/A
DRAWN BY: GEORGE		DRAWING NUMBER: P16E27M_DC
DATE: 09/22/2017	CHK: SEAN	SCALE: NONE
SHT 2 OF 2		SCALE: B

2

1