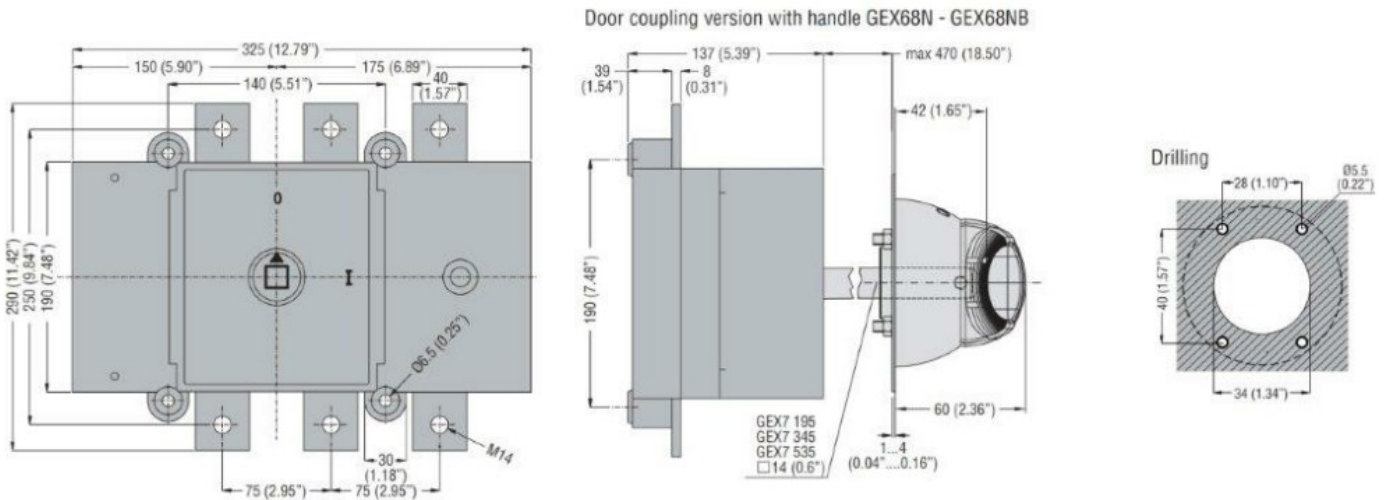




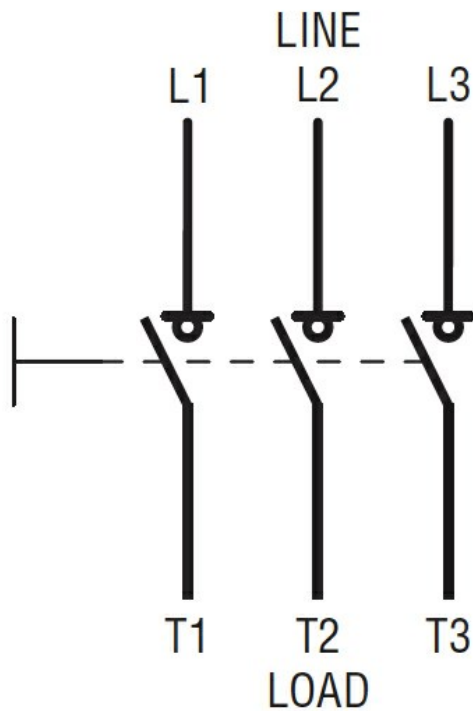
Product designation				Switch disconnecter
Product type designation				GE
Number of poles				Nr. 3
Operating voltage type				AC
<b>Contact characteristics</b>				
IEC Conventional free air thermal current I <sub>th</sub>				A 1000
Rated insulation voltage U <sub>i</sub> IEC/EN				V 1000
Rated impulse withstand voltage U <sub>imp</sub>				kV 12
Operating current I <sub>e</sub>				
AC21A	400V	A	1000	
	500V	A	1000	
	690V	A	1000	
AC22A	400V	A	1000	
	500V	A	1000	
	690V	A	630	
AC23A	400V	A	1000	
	500V	A	800	
	690V	A	500	
Power dissipation per pole max				W 50
Rated operational power AC23A	400V	kW	443	
	690V	kW	478	
Rated short time current (1s) I <sub>cs</sub> (rms)				kA 25
Conditional short-circuit current (rms)				kA 72
Short-circuit protection with fuse				Class/A gG1000
Making capacity AC23A 400V				A 8000
Breaking capacity AC23A 400V				A 6400
Mechanical life				cycles 10000
Electrical life AC21A				cycles 500 (AC23A 400V)
<b>Mechanical features</b>				
Operating position	normal allowable	Vertical plan Any		
Fixing	Screw			
Terminals	type screw	Bar M14		
Tightening torque for terminals	max	Nm	45	
	max	lbin	10	

Bar dimensions max	40x8		
<b>Ambient conditions</b>			
Operating temperature	min	°C	-25
	max	°C	55
<b>Storage temperature</b>			
	min	°C	-40
	max	°C	70
Max altitude	m	3000	
<b>Resistance &amp; Protection</b>			
Frontal IP degree	IP20		
Pollution degree	3		

**Dimensions**



**Wiring diagrams**



**Certifications and compliance**

**Compliance**

IEC/EN 60947-1  
IEC/EN 60947-3

---

Certifications

EAC

ETIM classification

ETIM 8.0

EC000216 -  
Switch  
disconnector