


Part number

CKSHM 03



Male insert, CKSH series, SQUICH® spring terminal connection without tools, 3 poles + PE, 10 A 400 V 4 kV 3, size "21.21"

Product description	
Product type	Insert
Series	CKSH
Connection type	SQUICH® spring terminal connection without tools
Gender	Male
N. of poles	3 poles + 
Size	Size "21.21"

Technical data	
Current	10 A
Voltage	400 V
Rated impulse withstand voltage	4 kV
Pollution degree	3
Rated voltage according to UL/CSA	600 V
Wire cross-section	0,14 mm ² - 2,50 mm ²
AWG size	26 - 14
Contact type	Turned silver plated
IP degree of protection	IP20 without enclosure, IP44/IP66/IP67/IP68/IP69 with enclosure

Further technical details	
Characteristics according to EN 61984	10A 400V 4kV 3; 10A 690V 4kV 2
Mating cycles	≥ 500
Insulation resistance	≥ 10 GΩ
Contact resistance	≤ 3 mΩ
Weight	16,00 g
Operating temperature range (min, max)	-40 °C ... +125 °C
Conductors stripping length	9...11 mm
UL 94 flammability rating	V-0
Tightening torque for fixing screws	M3: 0,5 Nm; 4,4 lb.in (Ph1 or 0,8 x 5,5 mm)

Material properties	
Main material	Polycarbonate (PC)
Other materials	Contacts: copper alloy Gasket: NBR
Colour	RAL 7032 grey
RoHs conformity	Compliant with exemption 6(c): copper alloy containing up to 4% lead by weight
China RoHs - EFUP	50
REACH SVHC substances	Yes Lead

Approvals / Standards	
Certifications	DNV-GL, BV, EAC
UL	ECBT2
cUL	ECBT8

General ordering information	
EAN13 code	8015747234603
eCl@ss 8.1	27440205
ETIM 7.0	EC000438

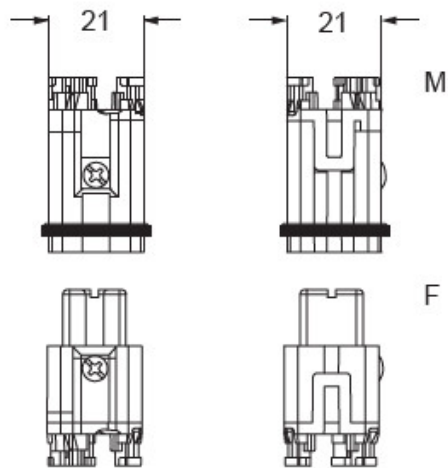
Packaging Information	
Packaging length	226,00 mm
Packaging height	245,00 mm
Packaging width	155,00 mm
Packaging weight	3,55 kg
Packaging volume	8,58 dm ³
Packaging description	Carton box
Packaging quantity	200 Pcs
Packaging EAN code	8015747234658
Sub-packaging length	125,00 mm
Sub-packaging height	43,00 mm
Sub-packaging width	206,00 mm
Sub-packaging weight	0,71 kg
Sub-packaging volume	1,11 dm ³
Sub-packaging description	Carton tray
Sub-packaging quantity	40 Pcs
Sub-packaging EAN barcode	8015747234665

Part number

CKSHM 03



Catalogue drawings

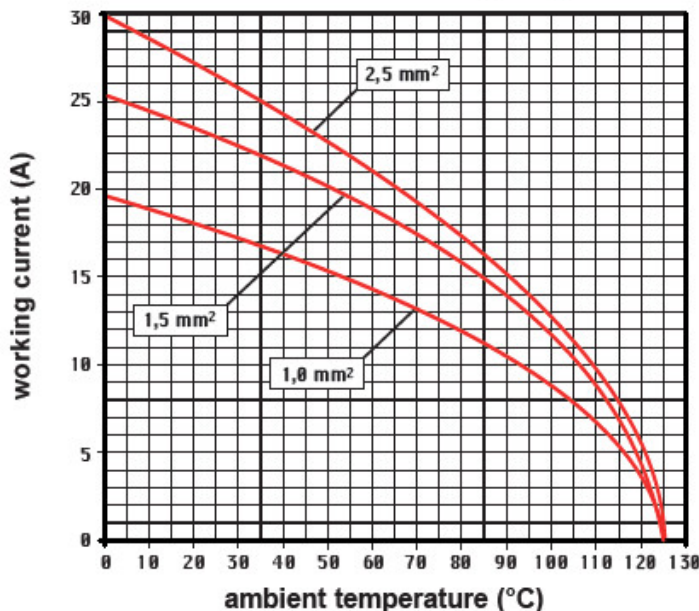


contacts side (front view)



Derating curves

CKSH 03 poles connector inserts
Maximum current load derating diagram



Notes

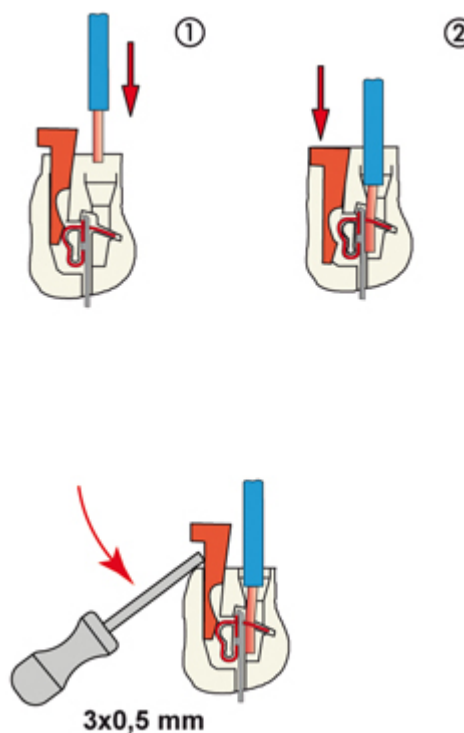
Dimensions shown in mm are not binding and may be changed without notice.

California Proposition 65 Information



WARNING

This product can expose you to lead and its compounds, known to the State of California to cause cancer and/or reproductive toxicity. For more information go to www.P65Warnings.ca.gov.



SQUICH® connection with actuator button

Reopening
