

Part number

# JCVP 06 L



Surface mounting housing, JEI®-V series, with 1 lever, Pg16 cable entry, size "44.27"

#### Product description

<b>Product type</b>	Surface mounting housing
<b>Series</b>	JEI®-V
<b>Closing type</b>	With 1 lever
<b>Size</b>	Size 44.27
<b>Cable entry</b>	With cable entry Pg16

#### Technical data

**IP degree of protection** IP65 / IP66 / IP69

#### Further technical details

<b>Weight</b>	209,00 g
<b>Operating temperature range (min, max)</b>	-40°C...+125°C

#### Material properties

<b>Other materials</b>	Lever: Galvanized steel Gasket: NBR
<b>Colour</b>	RAL 7040 grey

#### Approvals / Standards

<b>Certifications</b>	DNV, BV
<b>UL</b>	ECBT2
<b>cUL</b>	ECBT8

#### General ordering information

**EAN13 code** 8015747137652

#### Packaging Information

<b>Packaging length</b>	285,00 mm
<b>Packaging height</b>	170,00 mm
<b>Packaging width</b>	190,00 mm
<b>Packaging weight</b>	4,18 kg
<b>Packaging volume</b>	9,21 dm <sup>3</sup>
<b>Packaging description</b>	Carton box
<b>Packaging quantity</b>	20 Pcs
<b>Packaging EAN code</b>	8015747144070
<b>Sub-packaging weight</b>	1,05 kg
<b>Sub-packaging description</b>	Plastic packaging
<b>Sub-packaging quantity</b>	5 Pcs
<b>Sub-packaging EAN barcode</b>	8015747140256

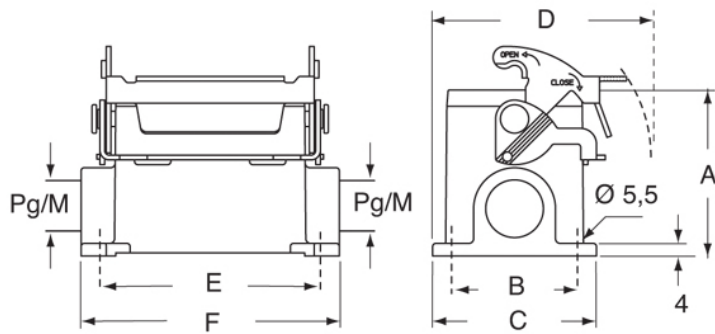
Part number

# JCVP 06 L



Catalogue drawings

JCVP L



	A	B	C	D	E	F
JCVP 06 L	53	40	52	70	70	82
JCVP 10 L	57	40	52	73	82	93,5
JCVP 16 L	63	45	57	75,5	105	117
JCVP 24 L	63	45	57	75,5	132	144

## Notes

Dimensions shown in mm are not binding and may be changed without notice.