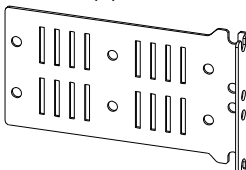

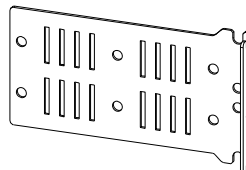

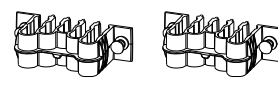
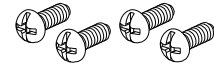
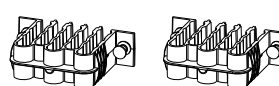
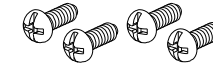
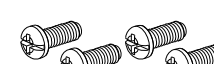



FLEX-CM12S includes:		FLEX-CM18S includes:	
<p>(1) Panel</p> 	<p>(2) Edge protectors</p> 	<p>(1) Panel</p> 	<p>(2) Edge protectors</p> 
<p>(2) 12-position clips</p> 	<p>(4) #12-24 x 1/2" mounting screws</p> 	<p>(2) 18-position clips</p> 	<p>(4) #12-24 x 1/2" mounting screws</p> 
	<p>(4) M6 X1.0 X 15mm mounting screws</p> 		<p>(4) M6 X1.0 X 15mm mounting screws</p> 

1. Install Panel to Rack or Equipment Rail

Apply edge protector to top and bottom edges of panel.

For cables routing from above:

Mount a minimum of 2RU above the bottom of the lower enclosure. Secure with (2) #12-24 or M6 screws. Panel can feed up to 2RU of cables.

Reverse position if routing cables from below.

Universal rear cable manager can be mounted two ways:

Inward towards the enclosure

(OR)

Parallel to the enclosure

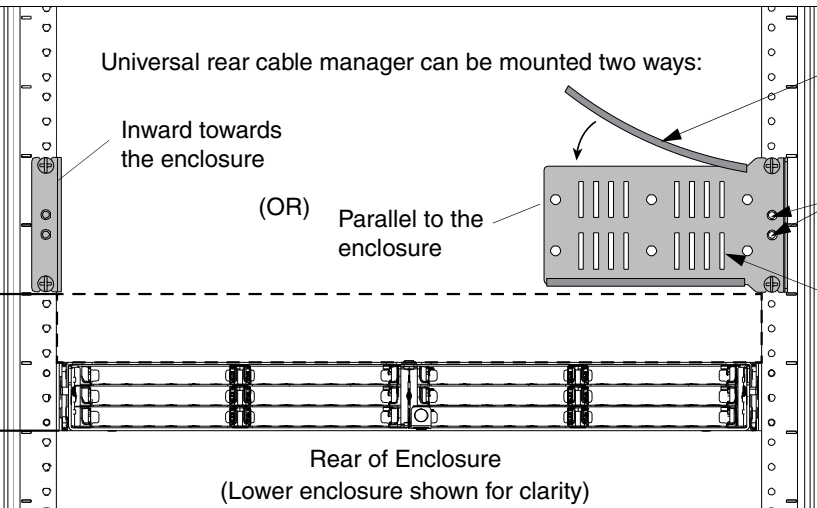
Rear of Enclosure
(Lower enclosure shown for clarity)

Edge protectors (top and bottom)

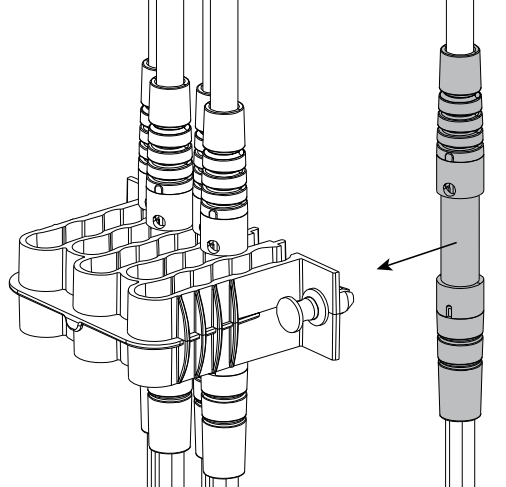
Alternate mounting holes

Slots can be used for 3/4" Tak-Ty Hook & Loop Cable Ties.

Refer to step 4 for recommended cable routing.



2. Install Cable Transitions to Clips

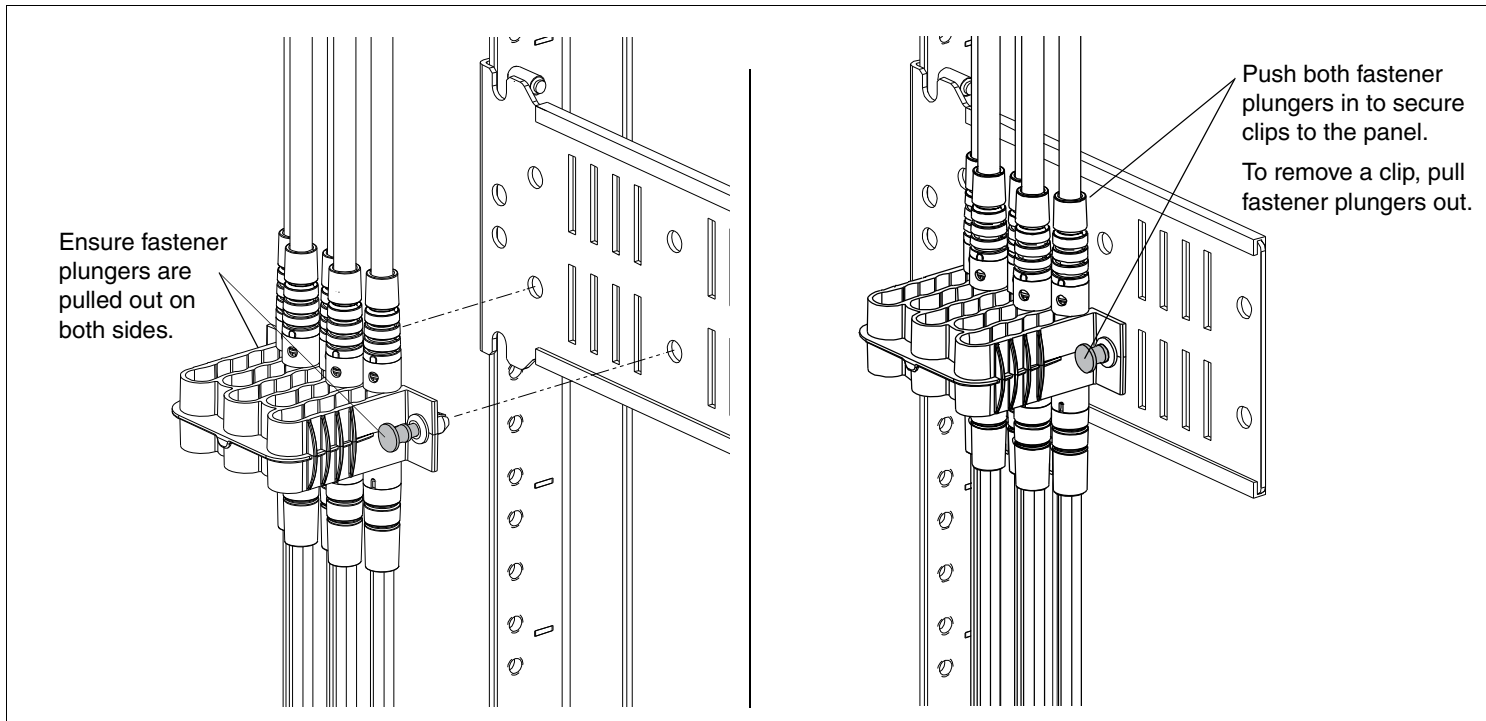


Clip

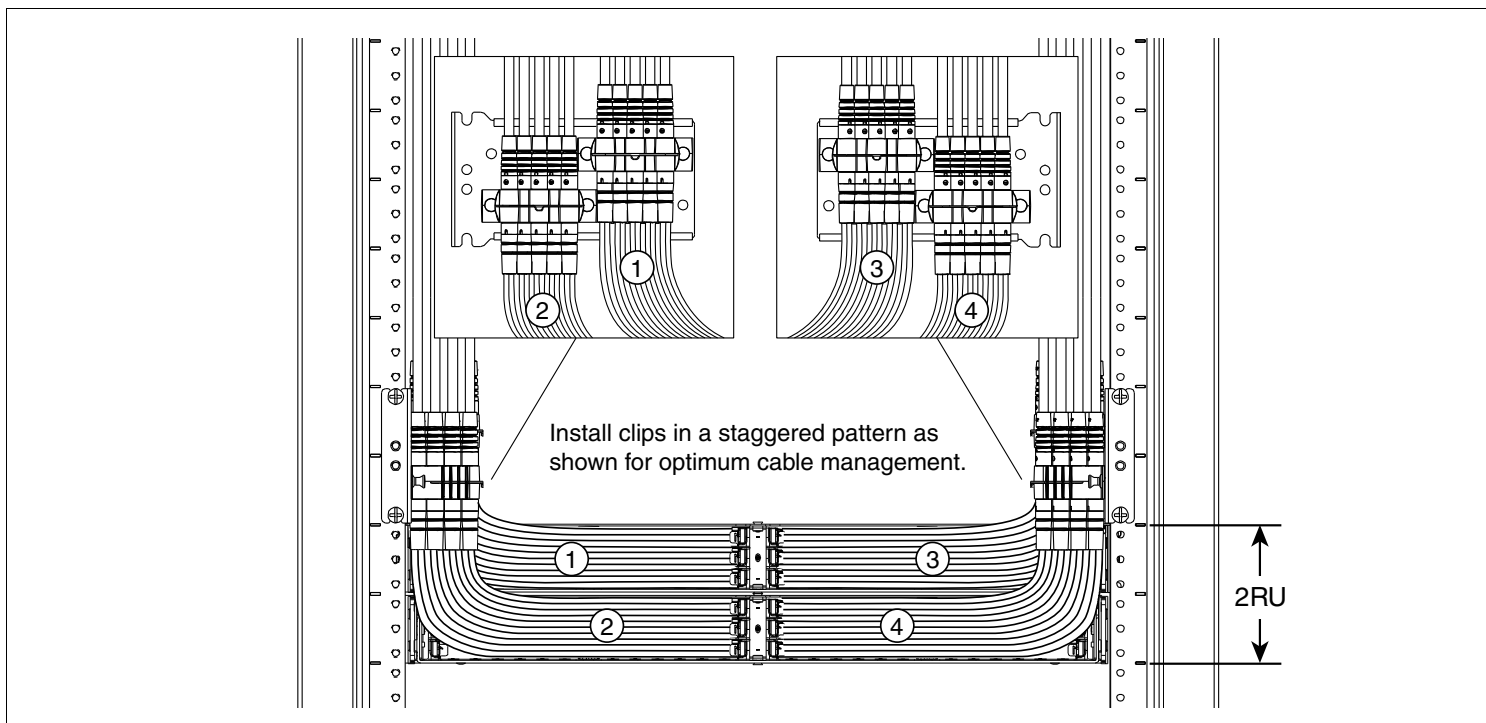
Cable transitions

↑ Populate from the base of the clip, building outward as needed.

3. Install Clips to the Panel



4. Clip Configuration and Recommended Cable Routing



For Instructions in Local Languages
and Technical Support:

www.panduit.com/resources/install_maintain.asp

PANDUIT

www.panduit.com

E-mail:
techsupport@panduit.com

Phone:
866-405-6654