



NX READY AAA 800mAH NIMH

MAIN INFORMATION / INFORMATIONS GENERALES

BRAND NAME	MARQUE	NX
TECHNOLOGY	TECHNOLOGIE	Nickel metal hydride
NOMINAL VOLTAGE	TENSION NOMINALE	1.2V
TYPICAL CAPACITY	CAPACITÉ TYPE	800mAh
MINIMUM CAPACITY	CAPACITÉ MINIMUM	800mAh
CHARGING CONDITION	CONDITIONS DE CHARGE	80mAh for 16hrs at 20°C
DIMENSIONS	DIMENSIONS	44.5 (h) x 10.5 mm (Ø)
WEIGHT	POIDS	12g
TOP	TYPE DE PLOT	Commercial Top / Plot Pile



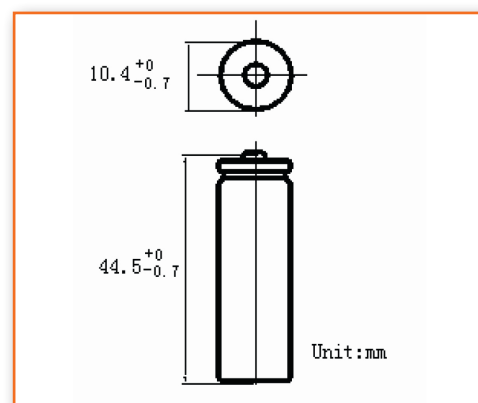
TECHNICAL INFORMATION / INFORMATIONS TECHNIQUES

FAST CHARGE	RAPIDITÉ DE CHARGE	up to 400mA Charge termination control recommended control parameters: - $\Delta V = 0-5mV$ DT/dt** : 0.80C/min(0.5 to 0.9C) // 0.8-1°C/min
PERMANENT CHARGE	CHARGE PERMANENTE	24mA to 40mA
MAX. OVERCHARGE CURRENT	SURCHARGE MAX	75 mA up to 48 hours
MAX. CHARGING VOLTAGE	TENSION DE CHARGE MAX.	1,5V at 80 mA charging
DISCHARGE CUT OFF VOLTAGE	TENSION DE COUPURE	1V
MAX DISCHARGING CURRENT	COURANT DE DÉCHARGE MAX	2400mA (3C)
INTERNAL RESISTANCE	RÉSISTENCE INTERNE	Average 670m Ω (upon fully charged at 1000HZ)
AMBIENT TEMPERATURE RANGE	PLAGE DE TEMPÉRATURE AMBIANTE	
• Standard charging / Charge standard		0°C to 45°C
• Fast charging / Charge rapide		10°C to 40°C
• Discharging / Décharge		-20°C to 60°C
• Storage / Stockage		-20°C to 35°C
SERVICE LIFE	DURÉE DE VIE	> 500 cycles (IEC standard)



ADDITIONAL INFORMATION / INFORMATIONS COMPLÉMENTAIRES

EAN CODE	CODE EAN	3660766415097
PACKING CONDITIONS	CONDITIONNEMENT	Blister x 4 AA
INNER BOX QUANTITY	QUANTITÉ PAR BOITE	12 Blisters
OUTTER BOX QUANTITY	QUANTITÉ PAR CARTON	144 Blisters



CHARGE CURVES

DISCHARGE CURVES

