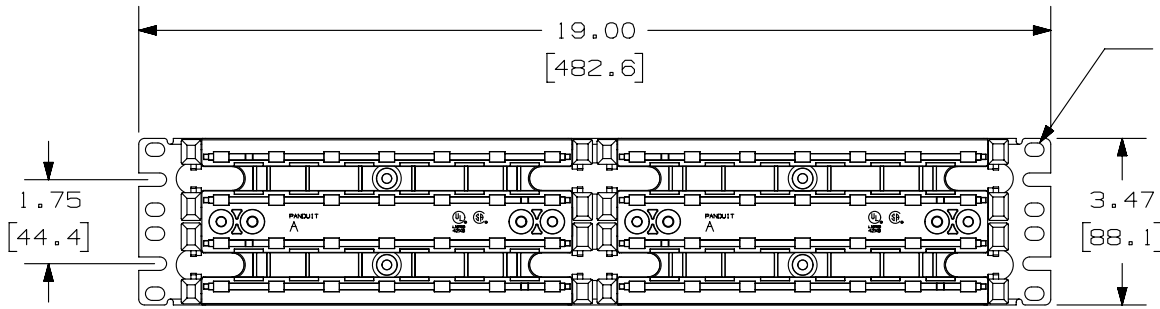
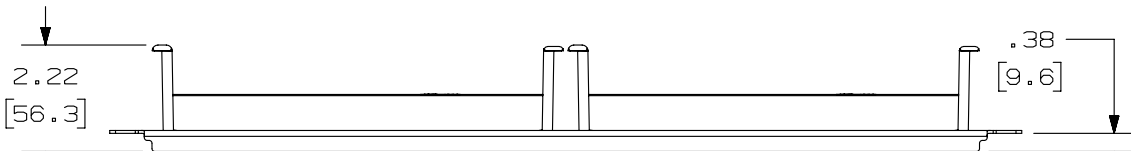


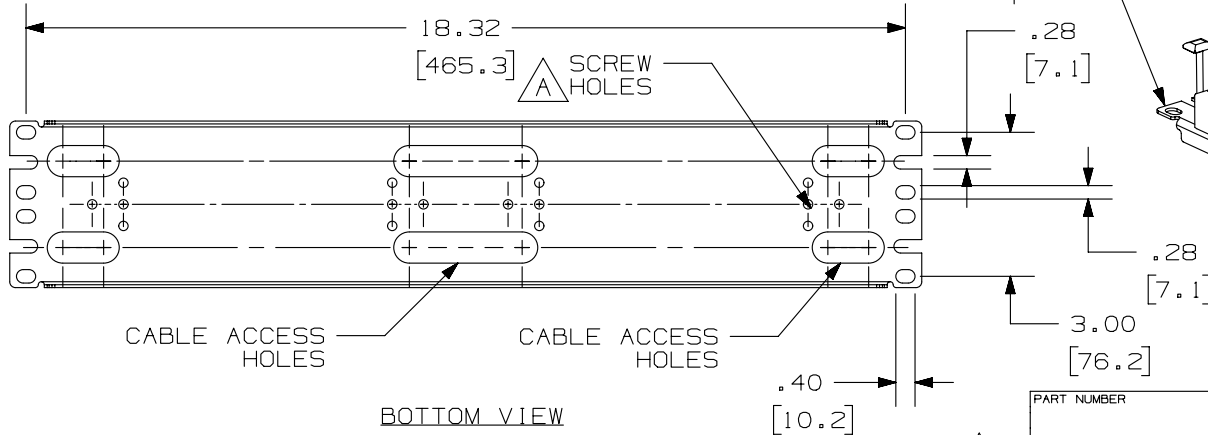
THIS COPY IS PROVIDED ON A RESTRICTED BASIS AND IS NOT TO BE USED IN ANY WAY DETRIMENTAL TO THE INTERESTS OF PANDUIT CORP.



TOP VIEW



FRONT VIEW

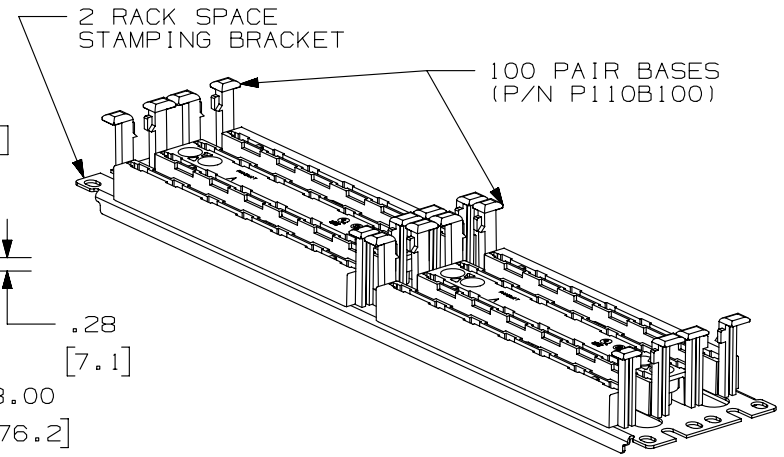


BOTTOM VIEW

PANDUIT PART NO.	WEIGHT
P110B100R2Y	2.01 LB/ea (923 g/ea)

NOTES:

1. SEE CURRENT CATALOG FOR ADDITIONAL PART NUMBER SUFFIXES TO INDICATE PACKAGE QUANTITY.
2. STAMPING ASSEMBLY IS DESIGNED FOR RACK MOUNT APPLICATIONS.
3. 110 BASES ARE ASSEMBLED TO BRACKETS WITH SUPPLIED SCREWS. (4) #12 MOUNTING SCREWS AND (4) METRIC M6x1x15MM SCREWS ARE ALSO PROVIDED.
4. CONNECTING BLOCKS SOLD SEPARATELY.
5. DIMENSIONS IN PARENTHESES ARE IN METRIC.



PART NUMBER		P110B100R2Y	
TITLE			
2 RU CAT 5E PUNCHDOWN RACK MOUNT ASSEMBLY			
CUSTOMER DRAWING			
ITEM REVISION NAME		M02479NC/00	
DATASET FILE NAME		M02479NC_DC342/00B	
UNLESS OTHERWISE SPECIFIED, DIMENSIONAL TOLERANCES ARE: IN [mm]		MATERIAL:	
.x ± .xx ± .03 [.8]		110 BASES - ABS BRACKET - 16 GAUGE C.R.S.	
.xxx ± .010 [.3]		DRAWING NUMBER:	
ANGLES ±		02479-342	
THIRD ANGLE PROJECTION		SHT 1 OF 1	
DRAWN BY	DATE	CHK	SCALE
NER	3-24-06	WJC	NONE
REV	DATE	BY	DESCRIPTION
1	5-27-14	MDJR	REFR
R	3-24-06	NER	WJC
APR			
DESCRIPTION			ECN
A. UPDATED TITLE BLOCK.			02479-342
RELEASED TO PRODUCTION			02479-342

D10100DA/14