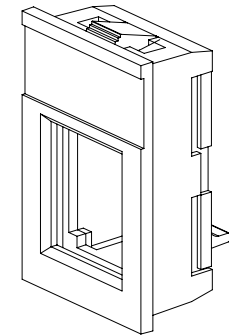
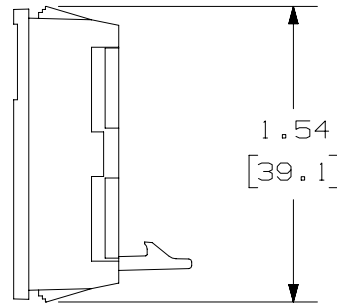
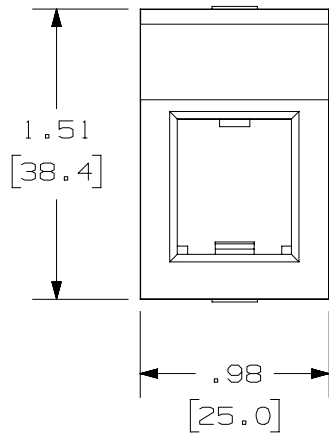
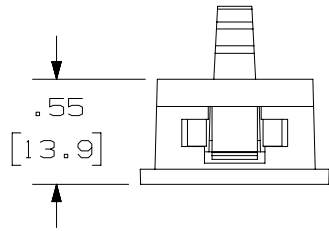


THIS COPY IS PROVIDED ON A RESTRICTED BASIS AND IS NOT TO BE USED IN ANY WAY DETRIMENTAL TO THE INTERESTS OF PANDUIT CORP.

PANDUIT P/N	WEIGHT
CM6C**-X	.113 LB/10 PCS (51.2 g/10 PCS)

NOTES:

1. SEE CURENT CATALOG FOR ADDITIONAL PART NUMBER SUFFIXES TO INDICATE COLOR AND OR PACKAGE QUANTITY.
2. SEE CATALOG FOR A COMPLETE LIST OF PARTS APPLICABLE FOR USE WITH THIS PART.
3. THIS PART IS USED TO SNAP INTO A STANDARD U.K. LJU6C (22.3mm X 36.9 mm) OPENING AND ACCEPTS ALL SINGLE POSITION MINI-COM MODULES.
4. DIMENSIONS IN [] ARE IN METRIC.



PART NUMBER		CM6C**-X	
TITLE			
MINI-COM 1 POSITION LJU6C NON-SHUTTERED ADAPTER			
CUSTOMER DRAWING			
ITEM REVISION NAME		M00024BA/01	
DATASET FILE NAME		M00024BA_DC/01D	
UNLESS OTHERWISE SPECIFIED, DIMENSIONAL TOLERANCES ARE: IN [mm]		MATERIAL:	
.x ± .xxx ± .010 [.3]		ABS	
.xx ± .03 [.8]		DRAWING NUMBER:	
ANGLES ±		00024-03	
THIRD ANGLE PROJECTION		SHT 1 OF 1	
DRAWN BY	DATE	CHK	SCALE
RCA	5-22-97	CEF	NONE
REV	DATE	BY	CHK
3	7-21-15	BJN	DCS
2	5-1-14	JSP	REFR
DESCRIPTION		ECN	
UPDATED DIMENSIONS		00024-03	
REVISED AND REDRAWN, PREVIOUS REVISIONS HAVE BEEN OMITTED.		00024-03	

D101000DA/14

2

1

2

1